



DLD6501-L V1
65" TFT LCD, 4000 nits LED backlight, UHD(3840x2160)

The DLD6501-L is a 65 inch industrial grade sunlight readable LCD, with high brightness 4000 nits and high color saturation, it produce sharp images, crisp text and lifelike colors. The Durapixel LED backlight technology ensures high reliability and low power consumption, suitable for outdoor application, kiosk, factory automation, military, transportation and gaming application.

Key Features

- High Brightness: 4000 nits
- Sunlight Readable
- LED Backlight
- LCD Blacking Defect Free (H-Tni 110°C)
- Slim Bezel
- BL MTBF: 100,000 hours



Specifications

Model Name	DLD6501-L V1
Description	65" TFT LCD, LED Backlight 4000 nits, UHD (3840x2160)
Screen Size	65"
Display Area (mm)	1428.48(H) x 803.52(V)
Brightness	4000 cd/m ²
Resolution	3840 x 2160
Aspect Ratio	16 : 9
Contrast Ratio	800 : 1
Pixel Pitch (mm)	0.372(H) x 0.372(V)
Pixel Pre Inch (PPI)	67
Viewing Angle	178°(H),178°(V)
Color Saturation (NTSC)	78%
Display Colors	1.07G
Response Time (Typical)	8ms
Panel Interface	V-by-One
AD Board Input Interface	DVI-D, HDMI, DP
Input Power	AC100~240V
Power Consumption)	405W
OSD Key	5 Keys (Power Switch, Menu, +, Exit, -)
OSD Control	Brightness, Color, Contrast, Auto Turing, H/V Position...etc
Dimensions (mm)	1474.2 x 849.2 x 95
Bezel Size(U/B/L/R)	20.88/20.88/20.9/20.9 mm
Weight (Net)	48kg
Mounting	VESA 400X200, 400X400mm
Operating Temperature	0 °C ~ 50 °C
Storage Temperature	-20 °C ~ 60 °C

DLD = Panel + LED Driving Board + AD Control Board + Housing

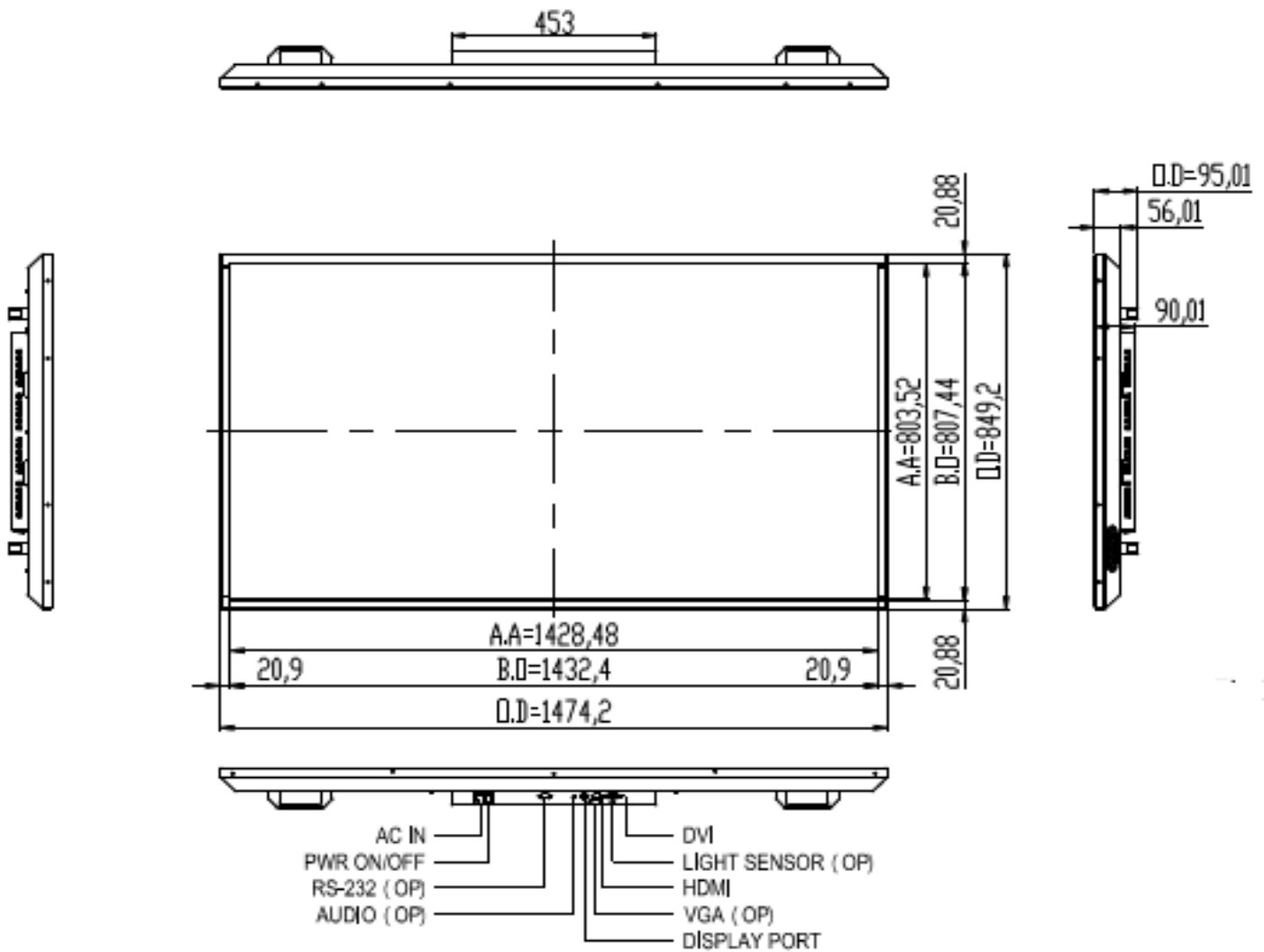
Specifications are subject to change without notice.
 All brands or product names are trademarks or registered trademarks of their respective companies.

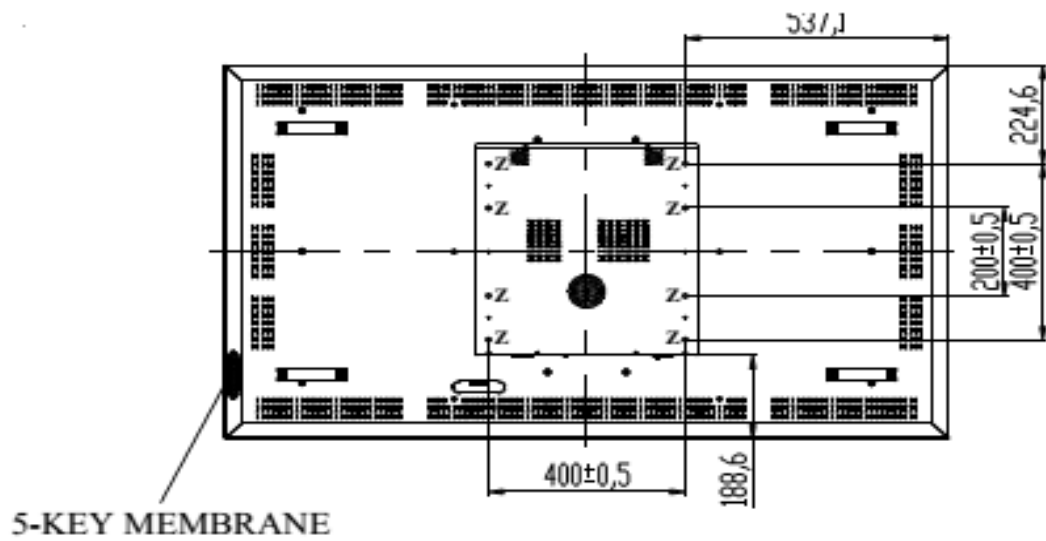
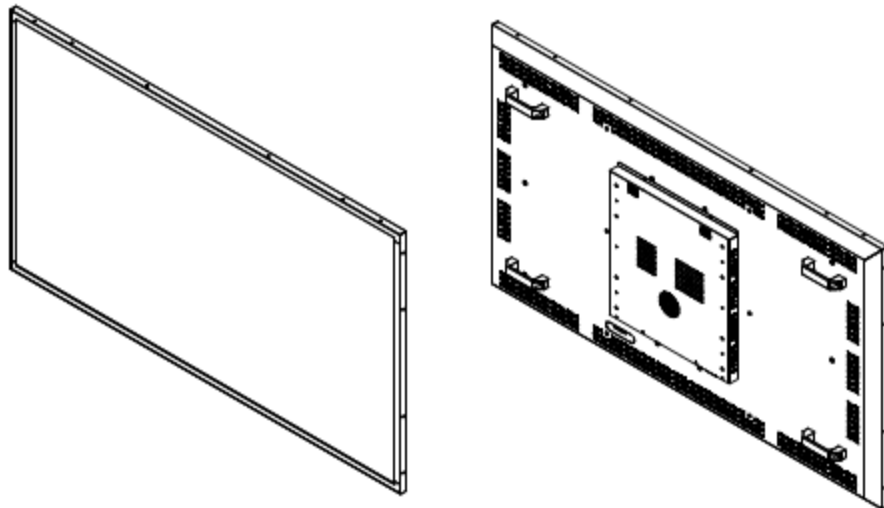


Mechanical Drawing

Outline Dimensions

Unit:mm





Note:

O.D : Outline Dimension

B.O : Bezel Opening

A.A : LCD Active Area

Z:8-M8 USER HOLE _MAX. DEPTH=12mm



Ordering Information

Part Number	Description
DLD6501-LNU-N01	65",4000nits,3840*2160,HTNi.LID65A,AD2796DHP,O/B.AC100~240V,V1

Optional Accessories

Part Number	Description
810618301010	CABLE.POWER.AC.1830mm USA type
810618301090	CABLE,POWER,AC,1830mm Europe type
810618301050	CABLE.POWER.AC.1830mm UK type
810618301170	CABLE.POWER,AC,1830mm Australia type
810618301031	CABLE.POWER.AC.1830mm Japan type

Customer request

Touch	PCT (Multi-Touch)
Glass	Tempered glass, AR coating.....