



## SSD2312-Y V1

### 23.1" TFT LCD, LED backlight 350 nits, 1920 x158

The SSD2312-Y is a 23.1 inch color TFT-LCD display with brightness 350nits and special resolution 1920x158. It is Litemax's Spanpixel series product which designed for high brightness with power efficiency LED backlight. It provides LCD panel with specific aspect ratios and sunlight readable for digital signage, public transportation, exhibition hall, department store, and vending machine.

#### Key Features

- Ultra-Wide Screen (16: 1.3)
- Brightness 350 nits
- LED Backlight
- Wide viewing angle 178°(H)~178°(V)
- Low Power Consumption



### Specifications

Model Name	SSD2312-Y V1
Description	23.1" Resizing LCD, 350nits LED backlight, 1920x158
Screen Size	23.1"
Display Area (mm)	585.6(H) x 48.19(V)
Brightness	350 cd/m <sup>2</sup>
Resolution	1920x158
Aspect Ratio	16 : 1.3
Contrast Ratio	3000:1
Pixel Pitch (mm)	0.305(H) x 0.305(V)
Pixel Per Inch (PPI)	83
Viewing Angle	178°(H),178°(V)
Color Saturation (NTSC)	72%
Display Colors	16.7M
Response Time (Typical)	9.5ms
Media Player Card Interface	Micro-USB, Micro-SD card
Input Power	DC12V
Power Consumption	10W
Dimensions (mm)	597.4x 60.4 x 16
Bezel Size(U/B/L/R)	5.2/5.2/4.6/6.2 mm
Mounting	320x45 ,100x40 ,75x40
Weight (Net)	0.8kg
Operating Temperature	0 °C ~ 45 °C
Storage Temperature	-20 °C ~ 60 °C

**SSD = Panel + LED Driving Board + Mediaplayer Card + Housing**

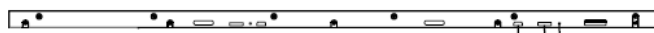
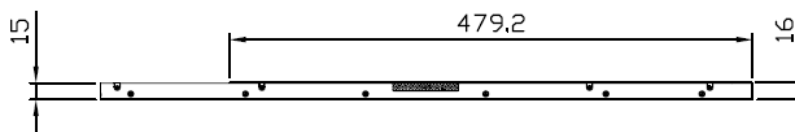
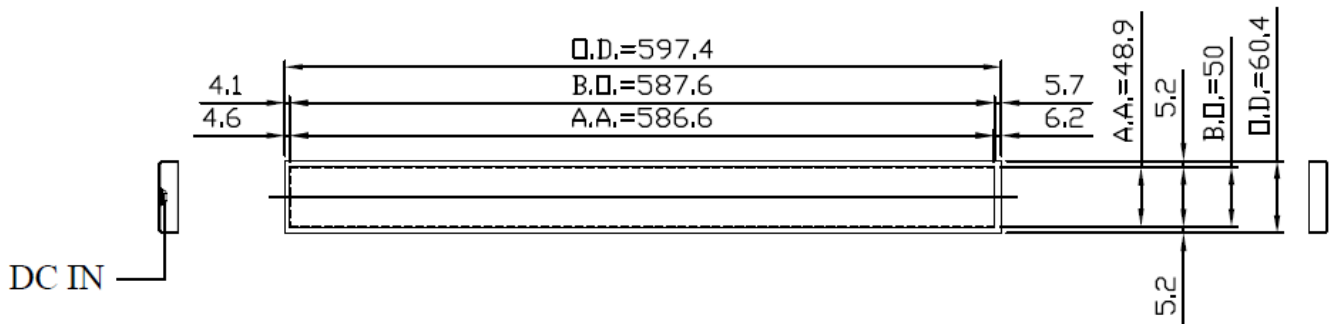
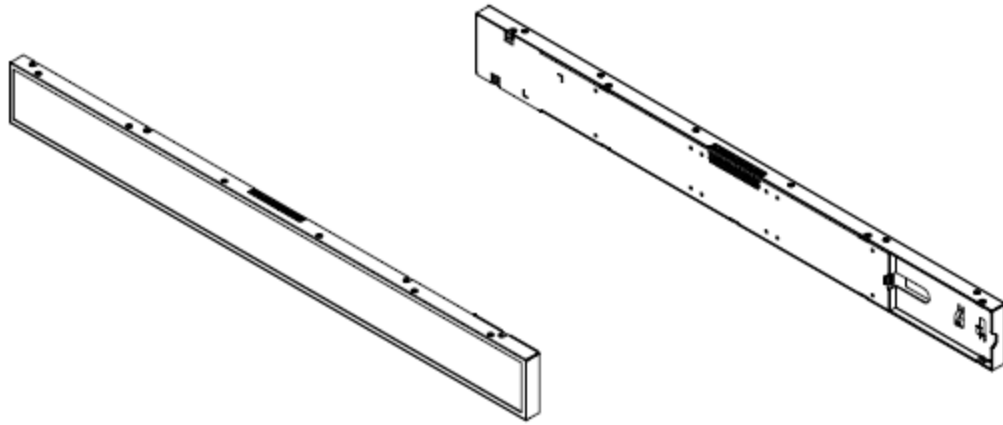
Specifications are subject to change without notice.  
All brands or product names are trademarks or registered trademarks of their respective companies.



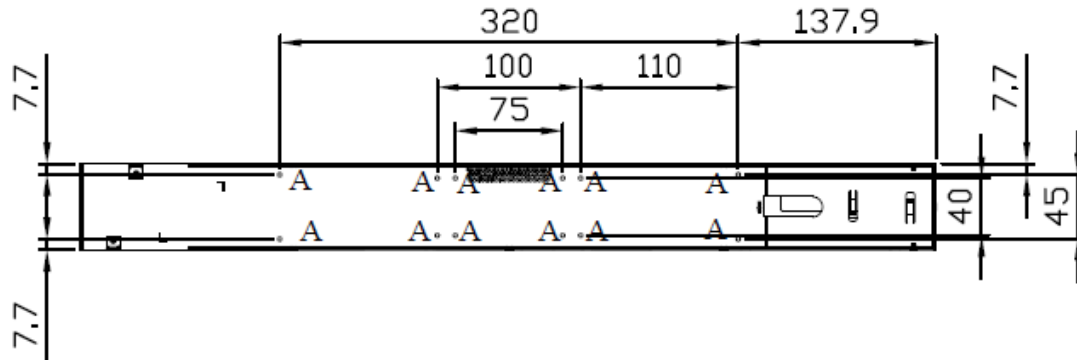
## Mechanical Drawing

### Outline Dimensions

Unit:mm



RESET  
 MICRO SD CARD  
 MICRO USB



**Note :**

O.D : Outline Dimension

B.O : Bezel Opening

A.A : LCD Active Area

A:12-M3\_USER HOLE\_MAX DEPTH=3mm

**Ordering Information**

Part Number	Description
SSD2312-YNB-K01	23.1",350nits,1920x158,LID on LCM,Mediaplayer:KA23,antenna*1,DC12V,3in1,V1

**Optional Accessories**

Part Number	Description
810618301010	CABLE,POWER,AC.1830mm USA type
810618301090	CABLE,POWER,AC,1830mm Europe type
810618301050	CABLE,POWER,AC.1830mm UK type
810618301170	CABLE,POWER,AC,1830mm Australia type
810618301031	CABLE,POWER,AC,1830mm Japan type

**Customer request**

Touch	PCT (Multi-Touch)
Glass	Tempered glass, AR coating.....