



OUR GLOBAL
COMPETENCE
CENTRES

 APOLLO DISPLAY
TECHNOLOGIES



 DISTEC



 DISPLAY
TECHNOLOGY



Datasheet

Ortustech

COM') H' D\$(LLC

OR-20-0F€

Specifications for

Blanview TFT-LCD Monitor

Version 1.0

(Please be sure to check the specifications latest version.)

MODEL COM35H3P04XLC

Customer's Approval
Signature:
Name:
Section:
Title:
Date:

ORTUSTECH

ORTUS TECHNOLOGY CO., LTD.

Approved by

M. Sugatani

Approved by

K. Mori

Checked by

O. Kimura

Prepared by

M. Tojo

Contents

1. Application	4
2. Outline Specifications		
2.1 Features of the Product	5
2.2 Display Method	5
3. Dimensions and Shape		
3.1 Dimensions	7
3.2 Outward Form	8
3.3 Serial Label (S-LABEL)	9
4. Pin Assignment	10
5. Absolute Maximum Rating	12
6. Recommended Operating Conditions	12
7. Characteristics		
7.1 DC Characteristics	13
7.2 AC Characteristics	15
7.3 Input Timing Characteristics	18
7.4 Driving Timing Chart	19
7.5 Example of Driving Timing Chart	20
8. Description of Operation		
8.1 Power Supply	22
8.2 Serial Communication	23
8.3 Display Data Transfer	35
8.4 Standby (Power Save) Sequence	36
8.5 Power On Sequence	38
8.6 Other Functions	40
9. Circuit		
9.1 Driving Circuit Example(Module) ["MODE" = "VSS"]	41
9.2 Driving Circuit Example(Module) ["MODE" = "VDD"]	42
9.3 LED Circuit	43
10. Characteristics		
10.1 Optical Characteristics	44
10.2 Temperature Characteristics	45
11. Criteria of Judgment		
11.1 Defective Display and Screen Quality	46
11.2 Screen and Other Appearance	47
12. Reliability Test	48
13. Packing Specifications	50
14. Handling Instruction		
14.1 Cautions for Handling LCD panels	51
14.2 Precautions for Handling	52
14.3 Precautions for Operation	52
14.4 Storage Condition for Shipping Cartons	53
14.5 Precautions for Peeling off the Protective film	53
APPENDIX	54

1. Application

This Specification is applicable to 8.79cm (3.5 inch) Blanview TFT-LCD monitor for non-military use.

- ◎ ORTUS TECHNOLOGY makes no warranty or assume no liability that use of this Product and/or any information including drawings in this Specification by Purchaser is not infringing any patent or other intellectual property rights owned by third parties, and ORTUS TECHNOLOGY shall not grant to Purchaser any right to use any patent or other intellectual property rights owned by third parties. Since this Specification contains ORTUS TECHNOLOGY's confidential information and copy right, Purchaser shall use them with high degree of care to prevent any unauthorized use, disclosure, duplication, publication or dissemination of ORTUS TECHNOLOGY'S confidential information and copy right.
- ◎ If Purchaser intends to use this Products for an application which requires higher level of reliability and/or safety in functionality and/or accuracy such as transport equipment (aircraft, train, automobile, etc.), disaster-prevention/security equipment or various safety equipment, Purchaser shall consult ORTUS TECHNOLOGY on such use in advance.
- ◎ This Product shall not be used for application which requires extremely higher level of reliability and/or safety such as aerospace equipment, telecommunication equipment for trunk lines, control equipment for nuclear facilities or life-support medical equipment.
- ◎ It must be noted as a mechanical design manner, especial attention in housing design to prevent arcuation/flexure or caused by stress to the LCD module shall be considered.
- ◎ ORTUS TECHNOLOGY assumes no liability for any damage resulting from misuse, abuse, and/or miss-operation of the Product deviating from the operating conditions and precautions described in the Specification.
- ◎ ORTUS TECHNOLOGY is not responsible for any nonconformities and defects that are not specified in this specifications.
- ◎ If any issue arises as to information provided in this Specification or any other information, ORTUS TECHNOLOGY and Purchaser shall discuss them in good faith and seek solution.
- ◎ ORTUS TECHNOLOGY assumes no liability for defects such as electrostatic discharge failure occurred during peeling off the protective film or Purchaser's assembly process.
- ◎ This Product is compatible for RoHS directive.

Object substance	Maximum content [ppm]
Cadmium and its compound	100
Hexavalent Chromium Compound	1000
Lead & Lead compound	1000
Mercury & Mercury compound	1000
Polybrominated biphenyl series (PBB series)	1000
Polybrominated biphenyl ether series (PBDE series)	1000

2. Outline Specifications

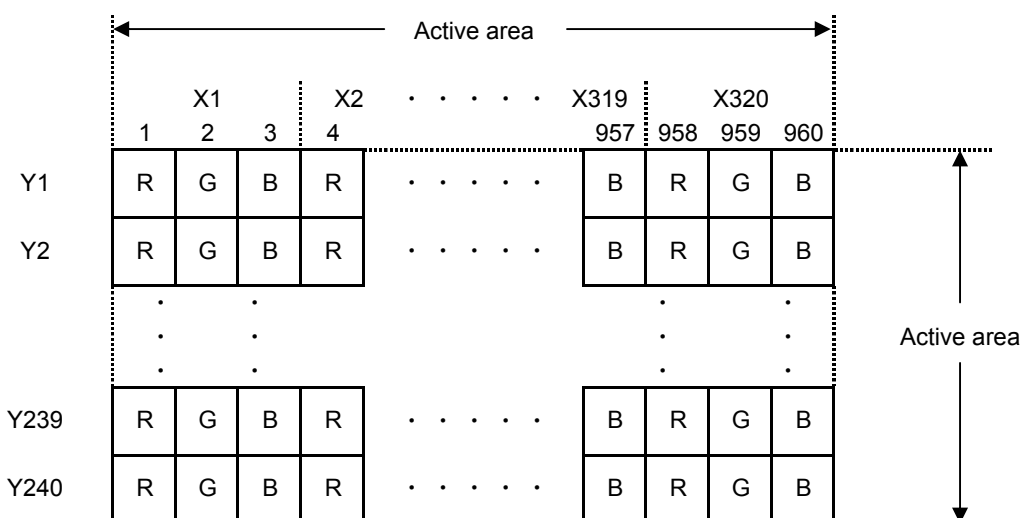
2.1 Features of the Product

- 3.5 inch diagonal display, 960 [H] x 240 [V] dots.
- Two kinds of input specifications can be selected.
 - "MODE" = "VSS"
 - 8-bit / 16,777,216 colors.
 - Various display controls and functional selection by 3-wire serial communication method.
 - "MODE" = "VDD"
 - 6-bit / 262,144 colors.
 - Various display controls and functional selection by terminal control.
- 3.0V voltage single power source.
- Timing generator [TG], Counter-electrode driving circuitry, Built-in power supply circuit.
- Power save (Standby) mode capable.
- Built-in rush current reduction circuit.
- Built-in panel residual charge reduction circuit.
- Long life & High bright white LED back-light.
- Blanview TFT-LCD, improved outdoor readability.

	Indoor		Outdoor	
	Readability	Power Efficiency (Battery Life)	Readability	Power Efficiency (Battery Life)
Transmissive	Good	Good	Fair	Poor
Transflective	Fair	Poor	Good	Good
Blanview	Good	Good	Good	Good

2.2 Display Method

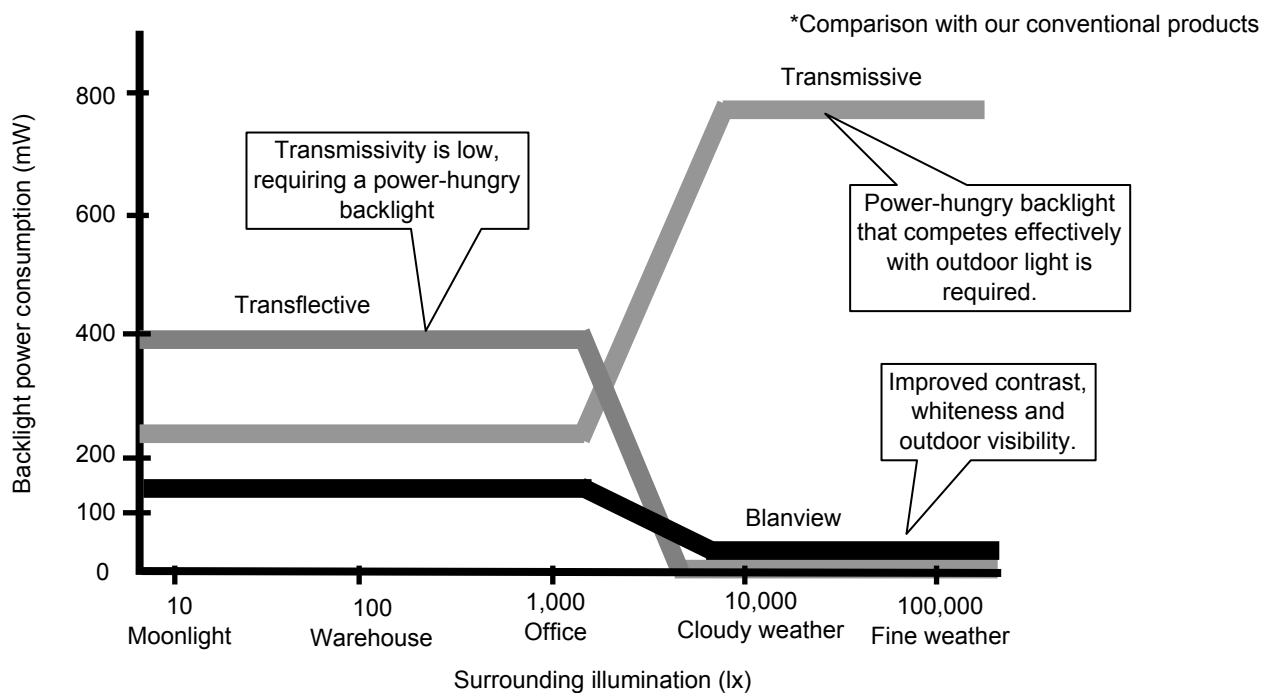
Items	Specifications	Remarks
Display type	TN type 262,144 colors or 16,777,216 colors. Blanview, Normally white.	
Driving method	a-Si TFT Active matrix. Line-scanning, Non-interlace.	
Dot arrangement	RGB stripe arrangement.	Refer to "Dot arrangement"
Signal input method	6-bit or 8-bit RGB, parallel input.	
Backlight type	Long life & High bright white LED.	



Dot arrangement (FPC cable placed down)

<Features of Blanview>

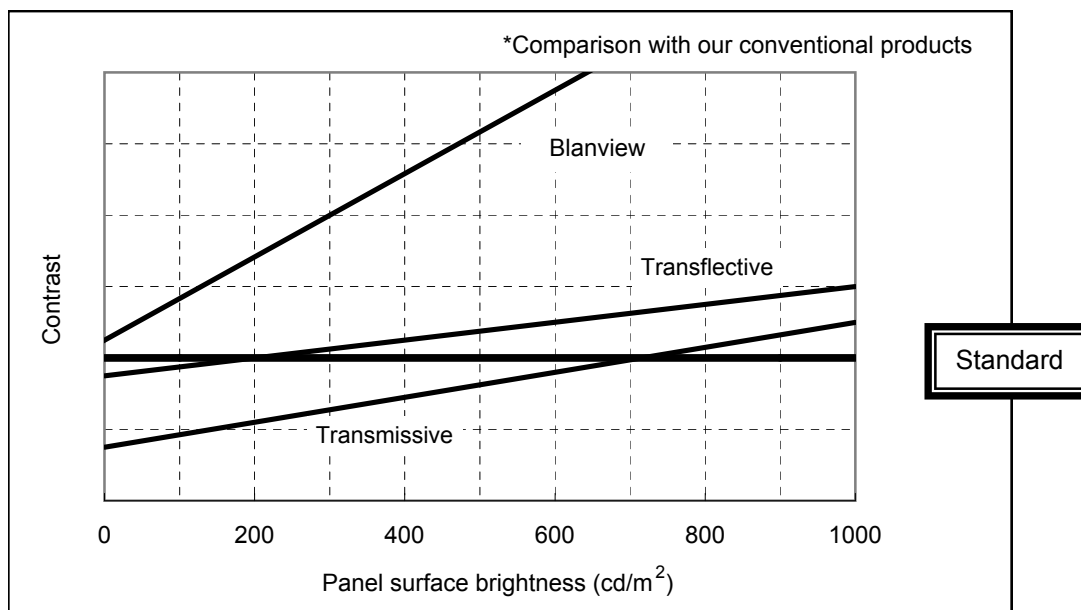
- Backlight power consumption required to assure visibility. (equivalent to 3.5"QVGA)



- Contrast characteristics under 100,000lx. (same condition as direct sunlight.)

With better contrast (higher contrast ratio), Blanview TFT-LCD has the best outdoor readability in three different types of TFT-LCD.

Below chart shows contrast value against panel surface brightness. (Horizontal: Panel surface brightness/ Vertical: Contrast value) LCD panel has enough outdoor readability above our Standard line. (ORTUS TECHNOLOGY criteria)



3. Dimensions and Shape

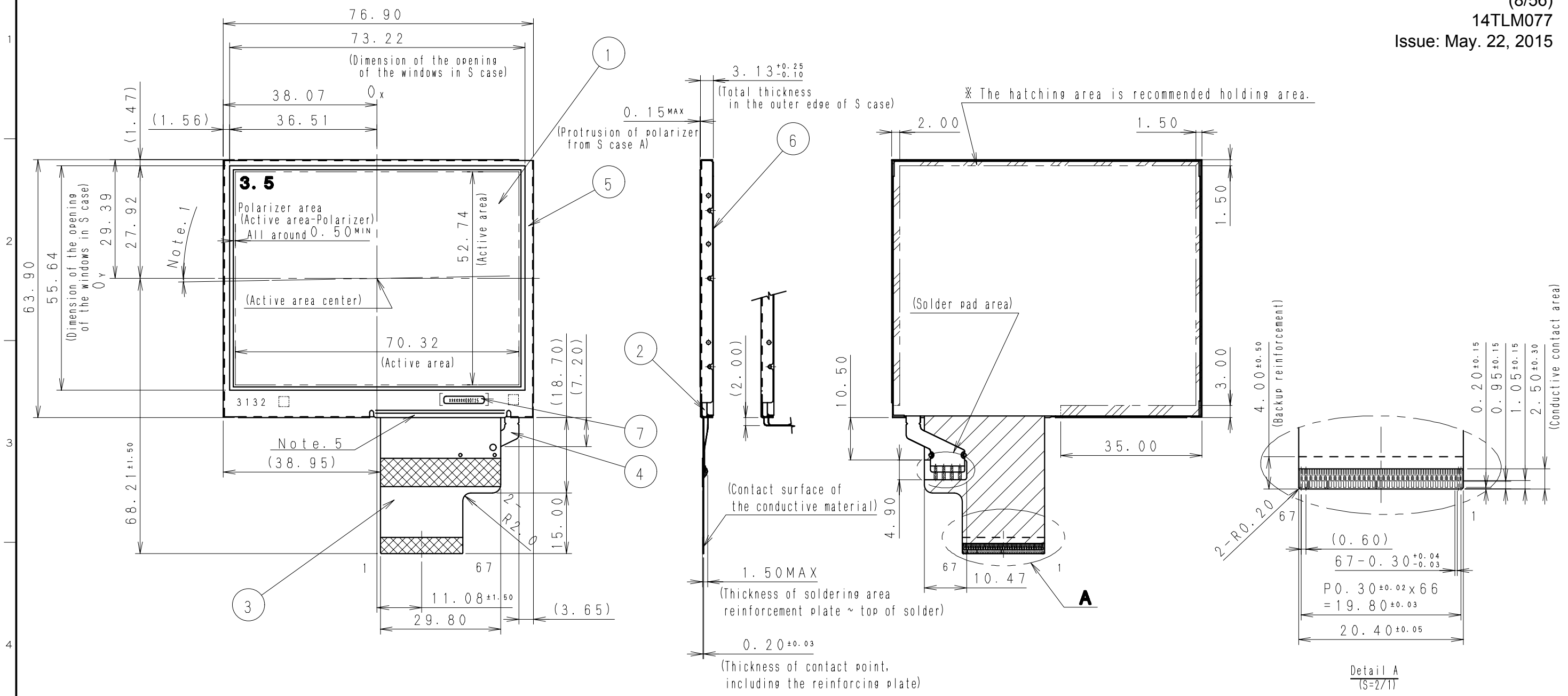
3.1 Dimensions

Items	Specifications	Unit	Remarks
Outline dimensions	76.90[H] × 63.90[V] × 3.13[D]	mm	Exclude FPC cable
Active area	70.32[H] × 52.74[V]	mm	8.79cm diagonal
Number of dots	960[H] × 240[V]	dot	
Dot pitch	73.25[H] × 219.75[V]	μm	
Surface hardness of the polarizer	3	H	Load:2.0N
Weight	33.0	g	Include FPC cable

EC No.	REV.No.	REVISE	DATE (Y:M:D)	APPROVED	CHECKED	PREPARED
--------	---------	--------	--------------	----------	---------	----------

(8/56)
14TLM077
Issue: May. 22, 2015

3.2 Outward Form



- Note 1. Angular deviation of LCD cell from the TFT-LCD monitor's reference axis shall be less than [±40'].
- Note 2. S label is affixed the area shown in the drawing. The thickness of the S label will be added to that of S case's surface.
- Note 3. Recommended FPC connectors
KYOCERA Connector Products, part number: 04 62B1 267 2X2 B46+ (Lower contact)
HIROSE, part number: FH26G-67S-0.3SHBW(05) (Lower contact)
- Note 4. Protective film is affixed on front surface of the screen. Location tolerance of the protective film shall be ±1.5 mm to the polarizing film.
- Note 5. Exercise care not to apply any forces to the cable holder of the S case A.
- Note 6. Refer to "11.CRITERIA OF JUDGMENT" about the appearance specification of a polarizer.

S LABEL	7			(10×1.85×0.075t)
S CASE C	6			
S CASE A	5			
LED FPC	4			
LCD FPC	3			
S CASE B	2			
TFT-LCD PANEL	1			Glass substrate thickness=0.5t
PART NAME	ITEM	PART CODE	MATERIAL GRADE	REMARK

APPROVED 橋爪	GENERAL TOLERANCE ±0.5	SCALE 1/1 (2/1, 5/1)	UNIT mm	ORTUSTECH ORTUS TECHNOLOGY CO., LTD. DO NOT DUPLICATE, CONFIDENTIAL AND PROPRIETARY	
CHECKED 平信	ISSUE (Y:M:D) 15:05:13	MODEL COM35H3P04X**			
CHECKED	NAME	OUTLINE-D3P04		DRAWING No. RJD526948D301	
DESIGN 小林宣幸				REV.	SHEET
DRAW 小林宣幸					DIV.

3.3 Serial Label (S-LABEL)

1) Display Items

S-label indicates the least significant digit of manufacture year (1digit), manufacture month with below alphabet (1letter), model code (5characters), serial number (6digits).

* Contents of Display

*	*	*****	*****
-	-	-----	-----
a	b	c	d

Contents of display				
a	The least significant digit of manufacture year			
b	Manufacture month	Jan-A Feb-B Mar-C Apr-D	May-E Jun-F Jul-G Aug-H	Sep-I Oct-J Nov-K Dec-L
c	Model code	35MXC (Made in Japan) 35MYC (Made in Malaysia)		
d	Serial number			

* Example of indication of Serial label (S-label)

•Made in Japan

5K35MXC000125

means "manufactured in November 2015, model 3.5" MX, C specifications, serial number 000125"

•Made in Malaysia

5K35MYC000125

means "manufactured in November 2015, model 3.5" MY, C specifications, serial number 000125"

2) Location of Serial Label (S-label)

Refer to 3.2 "Outward Form".

4. Pin Assignment

No.	Symbol	Function		
		MODE(No.34pin) = "VSS"	MODE(No.34pin) = "VDD"	
1	VCOM	Common-electrode driving signal.		
2	D27	Display data input for (B). 00h for black display D20:LSB D27:MSB Driver IC carries out gamma conversion internally.	Display data input for (B). 00h for black display D22:LSB D27:MSB Driver IC carries out gamma conversion internally.	
3	D26			
4	D25			
5	D24			
6	D23			
7	D22			
8	D21			
9	D20			Short to VSS.
10	D17	Display data input for (G). 00h for black display D10:LSB D17:MSB Driver IC carries out gamma conversion internally.	Display data input for (G). 00h for black display D12:LSB D17:MSB Driver IC carries out gamma conversion internally.	
11	D16			
12	D15			
13	D14			
14	D13			
15	D12			
16	D11			Short to VSS.
17	D10			Short to VSS.
18	D07	Display data input for (R). 00h for black display D00:LSB D07:MSB Driver IC carries out gamma conversion internally.	Display data input for (R). 00h for black display D02:LSB D07:MSB Driver IC carries out gamma conversion internally.	
19	D06			
20	D05			
21	D04			
22	D03			
23	D02			
24	D01			Short to VSS.
25	D00			Short to VSS.
26	BLON	Logic signal output for external backlight circuitry.	OPEN.	
27	CS/STBY	CS:Chip select input for serial communication. (Lo: active)	STBY:Stanby signal. (Lo:Normal operation, Hi:Stanby operation)	
28	DI/DE	DI:Data input for serial communication.	DE:Input data effective signal.	
29	SCK/REV	SCK:Clock input for serial communication.	REV:Right/Left & Up/Down Display reverse. (Lo:Normal Display,Hi:Reverse Display)	
30	VSYNC	Vertical sync signal input.	Vertical sync signal input.(negative polarity)	
31	HSYNC	Horizontal sync signal input.	Horizontal sync signal input.(negative polarity)	
32	CLK	Clock input for display.	Clock input for display.	
33	VSS	GND.		
34	MODE	Input specification selection input.		
35	POCB	Power on clear. (Lo: active)		
36	NC	OPEN.		
37	RVDD	Internal power supply.		
38	COMDC	Common-electrode drive DC output.		
39	NC	OPEN.		
40	VSREF	Built-in DAC reference supply.		
41	C1P	Contacting terminal of capacitor for charge pump.		
42	C1M	Contacting terminal of capacitor for charge pump.		
43	C2M	Contacting terminal of capacitor for charge pump.		
44	C2P	Contacting terminal of capacitor for charge pump.		
45	VDD	Power supply input.		

No.	Symbol	Function
46	COMOUT	Square wave output for common-electrode.
47	VDD2	Internal power supply.
48	VSS	GND.
49	VSS	GND.
50	VSS	GND.
51	C3M	Contacting terminal of capacitor for charge pump.
52	C3P	Contacting terminal of capacitor for charge pump.
53	C4M	Contacting terminal of capacitor for charge pump.
54	C4P	Contacting terminal of capacitor for charge pump.
55	VVCOM	Voltage output for COMOUT.
56	NC	OPEN.
57	NC	OPEN.
58	VGH	Positive supply for gate driver.
59	C5P	Contacting terminal of capacitor for charge pump.
60	C5M	Contacting terminal of capacitor for charge pump.
61	VGL	Negative supply for gate driver.
62	BLL2	LED drive power source 2. (Cathode side)
63	BLH2	LED drive power source 2. (Anode side)
64	NC	OPEN.
65	NC	OPEN.
66	BLH1	LED drive power source 1. (Anode side)
67	BLL1	LED drive power source 1. (Cathode side)

- Recommended connector : KYOCERA CONNECTOR PRODUCTS6281 series [04 6281 267 2x2 846+]
: HIROSE ELECTRIC CO.,LTD. FH26 series [FH26G-67S-0.3SHBW(05)]
- Please refer to the section "3.2 Outward Form" for terminal order.
- Since FPC cable has gold plated terminals, gilt finish contact shoe connector is recommended.

5. Absolute Maximum Rating

VSS=0V

Item	Symbol	Condition	Rating		Unit	Applicable terminal
			MIN	MAX		
Supply voltage	VDD	Ta=25°C	-0.3	6.0	V	VDD
Input voltage 1 for logic	VI1		-0.3	VDD+0.3	V	POCB,CLK,VSYN,HSYN, D[27:20],D[17:10],D[07:00], MODE
Input voltage 2 for logic	VI2		-0.3	6.0	V	CS/STBY,DI/DE,SCK/REV
LED forward current	IL	Ta = 25°C	--	35	mA	BLH1 - BLL1
		Ta = 70°C	--	15		BLH2 - BLL2
Storage temperature range	Tstg		-30	80	°C	
Storage humidity range	Hstg	Non condensing in an environmental moisture at or less than 40°C90%RH.				

Note: Please set "Power-on" and "Power-off" sequences in accordance with the "standby sequence" described later.

6. Recommended Operating Conditions

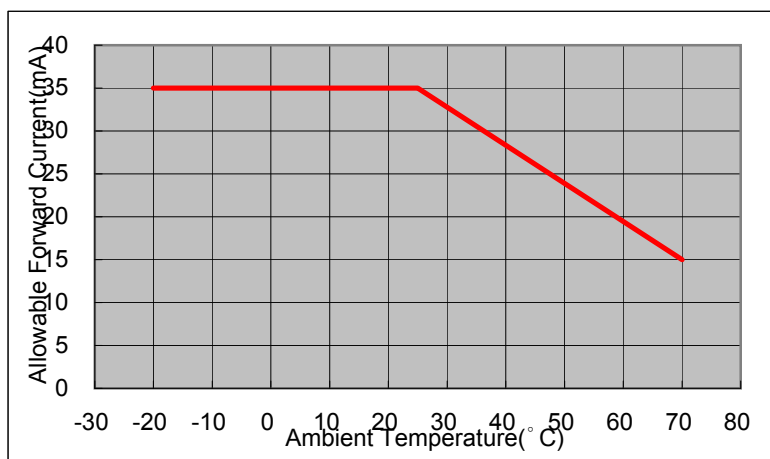
VSS=0V

Item	Symbol	Condition	Rating			Unit	Applicable terminal
			MIN	TYP	MAX		
Supply voltage	VDD		2.7	3.0	3.6	V	VDD
Input voltage 1 for logic	VI1	VDD=2.7~3.6V	0	--	VDD	V	POCB,CLK,VSYN, HSYN,D[27:20], D[17:10],D[07:00], MODE
Input voltage 2 for logic	VI2		0	--	VDD	V	CS/STBY,DI/DE, SCK/REV
Common-electrode center voltage Note1	VCOMDC	MODE="VSS" VCOMDC[5:0] =16h~3Ch	1.48	1.86	2.24	V	COMDC
		MODE="VDD"	1.48	1.86	2.24	V	
Operational temperature range	Top	Note2,3	-20	25	70	°C	Panel surface temperature
Operating humidity range	Hop	Ta ≤ 30°C	20	--	80	%	
		Ta > 30°C	Non condensing in an environmental moisture at or less than 30°C80%RH.				

Note1: Common-electrode center voltage indicates that optimum VCOMDC value lies within the bound of these voltages, but it does not mean that the whole range of voltages are the optimum VCOMDC value. This product must to be used with optimized VCOMDC value.

Note 2: This monitor is operatable in this temperature range. With regard to optical characteristics, refer to Item 10."CHARACTERISTICS".

Note 3: Acceptable Forward Current to LED is up to 15mA, when Ta=+70°C. Do not exceed Allowable Forward Current shown on the chart below.



7. Characteristics

7.1 DC Characteristics

7.1.1 Display Module

(Unless otherwise noted, Ta=25 °C, VDD=3.0V, VSS=0V)

Item	Symbol	Condition	Rating			Unit	Applicable terminal
			MIN	TYP	MAX		
Schmitt Threshold voltage	VP	VDD=2.7~3.6V	0.47×VDD	0.60×VDD	0.73×VDD	V	CS/STBY,DI/DE, SCK/REV,VSYNC, HSYNC,D[27:20], D[17:10],D[07:00], CLK,POCB
	VN		0.30×VDD	0.43×VDD	0.56×VDD	V	
	VH		0.08×VDD	0.17×VDD	0.27×VDD	V	
Input Signal Voltage	VIH		0.7×VDD	--	VDD	V	MODE
	VIL		0	--	0.3×VDD	V	
Pull up resistor value	Rpu		45	91	182	kΩ	POCB
Pull down resistor value	Rpd		45	91	182	kΩ	MODE
Output Voltage1	VDD2		4.8	5.6	6.1	V	VDD2
Output Voltage2	VGH		12.5	13.3	13.5	V	VGH
Output Voltage3	VGL		-13.5	-13.3	-12.5	V	VGL
Output Voltage4	VOH	Io = -1.0mA	VDD - 0.5	--	VDD	V	BLON
	VOL	Io = 1.0mA	0	--	0.5	V	
Operating Current	IDD	fCLK=6.75MHz Color bar display BRIGHT[5:0],CONTRAST[3:0] = Initial value	--	8.0	15.0	mA	VDD
Standby Current	IDDs	MODE="VSS",Other input with constant voltage.	--	11.0	30.0	μA	VDD
		MODE="VDD",Other input with constant voltage.	--	44.0	96.0	μA	

At "MODE" = "VSS"

(Unless otherwise noted, Ta=25 °C, VDD=3.0V, VSS=0V)

Item	Symbol	Condition	Rating			Unit	Applicable terminal
			MIN	TYP	MAX		
VcomDC Adjusted value	VCOMDC	VCOMDC[5:0]=00h	0.94	1.04	1.14	V	COMDC
		VCOMDC[5:0]=1Fh	1.56	1.66	1.76		
		VCOMDC[5:0]=3Ch	2.14	2.24	2.34		

(Unless otherwise noted, Ta=25 °C, VDD=3.0V, VSS=0V)

Item	Symbol	Condition	Rating			Unit	
			MIN	TYP	MAX		
BRIGHT Adjusted value	VLCD	BRIGHT[5:0]=00h	D[*7:*0]=00h	4.10	4.25	4.40	V
		CONTRAST[3:0]=Eh	D[*7:*0]=FFh	0.92	1.07	1.22	
		BRIGHT[5:0]=1Ah	D[*7:*0]=00h	3.58	3.73	3.88	
		CONTRAST[3:0]=Eh	D[*7:*0]=FFh	0.40	0.55	0.70	
		BRIGHT[5:0]=2Eh	D[*7:*0]=00h	3.18	3.33	3.48	
		CONTRAST[3:0]=Eh	D[*7:*0]=FFh	0.00	0.15	0.30	
CONTRAST Adjusted value	VLCD	CONTRAST[3:0]=0h		1.35	1.50	1.65	V
		VLCD(D[*7:*0]=00h)-VLCD(D[*7:*0]=FFh)		3.03	3.18	3.33	
		CONTRAST[3:0]=Eh		3.15	3.30	3.45	
		VLCD(D[*7:*0]=00h)-VLCD(D[*7:*0]=FFh)					

7.1.2 Backlight

Item	Symbol	Condition	Rating			Unit	Applicable terminal
			MIN	TYP	MAX		
Forward current	IL25	Ta=25° C	--	7.1	35.0	mA	BLH1 – BLL1 BLH2 – BLL2
	IL70	Ta=70° C	--	--	15.0	mA	
Forward voltage	VL	Ta=25° C, IL=7.1mA	--	8.0	8.4	V	
Estimated Life of LED	LL	Ta=25° C, IL=7.1mA Note	--	(50,000)	--	hr	

- Note:
- The lifetime of the LED is defined as a period till the brightness of the LED decreases to the half of its initial value.
 - This figure is given as a reference purpose only, and not as a guarantee.
 - This figure is estimated for an LED operating alone.
- As the performance of an LED may differ when assembled as a monitor together with a TFT panel due to different environmental temperature.
- Estimated lifetime could vary on a different temperature and usually higher temperature could reduce the life significantly.

7.2 AC Characteristics

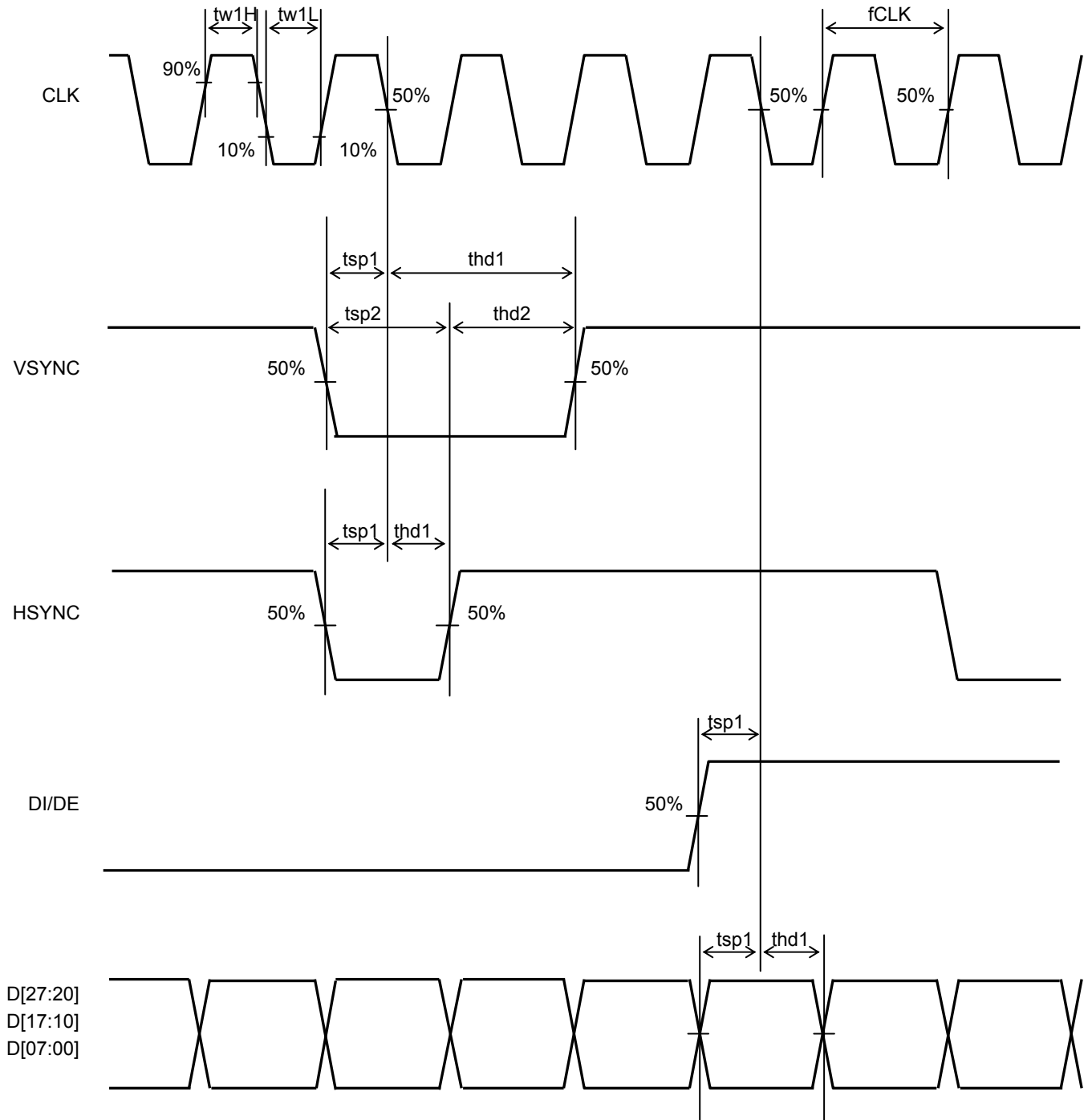
7.2.1 Display Module

(Unless otherwise noted, $T_a=25^{\circ}\text{C}$, $V_{DD}=3.0\text{V}$, $V_{SS}=0\text{V}$)

Item	Symbol	Condition	Rating			Unit	Applicable terminal
			MIN	TYP	MAX		
CLK Low period	tw1L	$0.1 \times V_{DD}$ or less	20	--	--	ns	CLK
CLK High period	tw1H	$0.9 \times V_{DD}$ or more	20	--	--	ns	
Setup time 1	tsp1		10	--	--	ns	CLK, HSYNC, VSYNC, D[27:20], D[17:10], D[07:00], DI/DE Note
Hold time 1	thd1		10	--	--	ns	
Setup time 2	tsp2		2	--	--	CLK	VSYNC, HSYNC
Hold time 2	thd2		2	--	--	CLK	
CLK frequency	fCLK		--	6.75	9.0	MHz	CLK

Note: The Rating value of the terminal DI/DE is effective at "MODE" = "VDD".

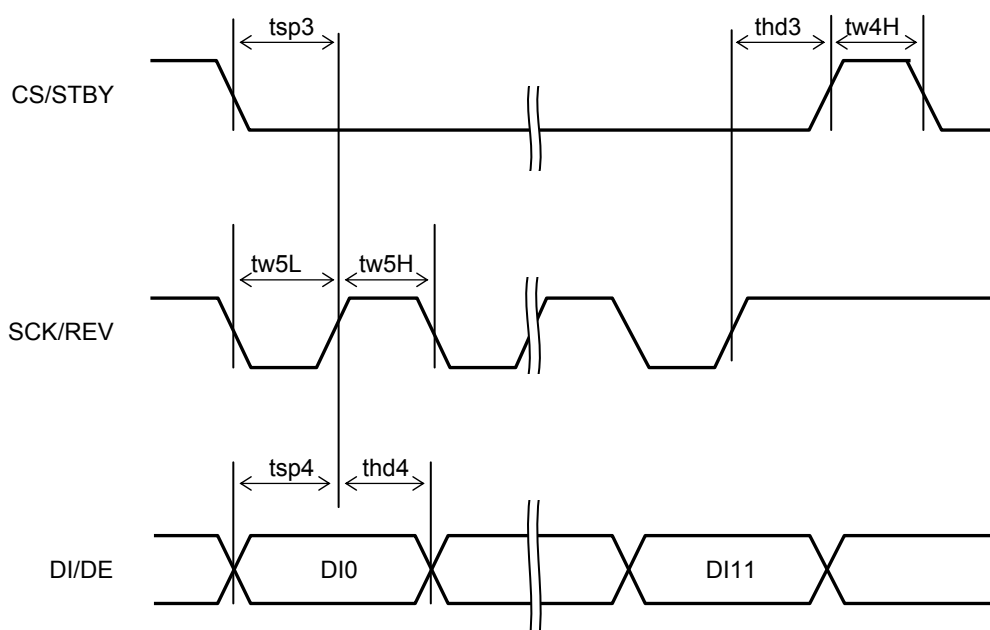
Switching Waveform Characteristics



7.2.2 Serial Communication Block(at "MODE" = "VSS")

(Unless otherwise noted, Ta=25 °C, VDD=3.0V, VSS=0V)

Item	Symbol	Condition	Rating			Unit	Applicable terminal
			MIN	TYP	MAX		
CS setup time	tsp3		20	--	--	ns	CS/STBY
CS hold time	thd3		20	--	--	ns	CS/STBY
DI setup time	tsp4		20	--	--	ns	DI/DE
DI hold time	thd4		20	--	--	ns	DI/DE
CS pulse High period	tw4H		20	--	--	ns	CS/STBY
SCK pulse Low period	tw5L		20	--	--	ns	SCK/REV
SCK pulse High period	tw5H		20	--	--	ns	SCK/REV



Note: Unless otherwise noted, each item is defined between each 50 % point of signal amplitude.

7.3 Input Timing Characteristics

7.3.1 MODE = "VSS"

Item	Symbol	Rating			Unit	Applicable terminal	
		MIN	TYP	MAX			
CLK frequency	fCLK	--	6.75	9.0	MHz	CLK	
VSYNC Frequency	fVSYNC	54	60	66	Hz	VSYNC	
Number of Frame Line	tv	--	262	291	H	VSYNC,HSYNC	
VSYNC Pulse Width	tw2H	4CLK	3H	--		VSYNC,CLK	
Vertical Back Porch	tvb	0	Note2	6	31	H	VSYNC,HSYNC,D[27:20],
Vertical Display Period	tvdp	--	240	--	H	D[17:10],D[07:00]	
HSYNC frequency	fHSYNC	--	15.7	--	kHz	HSYNC	
HSYNC Cycle	th	--	429	573	CLK	HSYNC,CLK	
HSYNC Pulse Width	tw3H	2CLK	--	20μs			
Horizontal Back Porch	thb	5	42	--	CLK	HSYNC,CLK,D[27:20], D[17:10],D[07:00]	
Horizontal Display Period	thdp	--	320	--	CLK	D[27:20],D[17:10],D[07:00], CLK	

Note1: This is recommended spec to get high quality picture on display. It is customer's risk to use out of this frequency.

Note2: When Vertical Back Porch is "0", please use odd number for the setting of the total number of lines that compose one field.

7.3.2 MODE = "VDD"

Item	Symbol	Rating			Unit	Applicable terminal		
		MIN	TYP	MAX				
CLK frequency	fCLK	--	6.75	9.0	MHz	CLK		
VSYNC Frequency	fVSYNC	54	60	66	Hz	VSYNC		
Number of Frame Line	tv	--	262	291	H	VSYNC,HSYNC		
VSYNC Pulse Width	tw2H	4CLK	3H	--		VSYNC,CLK		
Vertical Back Porch	tvb	0	Note2	6	21	Note3	H	VSYNC,HSYNC,DE,D[27:22],
Vertical Display Period	tvdp	--	240	--	H	D[17:12],D[07:02]		
HSYNC frequency	fHSYNC	--	15.7	--	kHz	HSYNC		
HSYNC Cycle	th	--	429	573	CLK	HSYNC,CLK		
HSYNC Pulse Width	tw3H	2CLK	--	20μs				
Horizontal Back Porch	thb	5	42	77	Note3	CLK	HSYNC,CLK,DE,D[27:22], D[17:12],D[07:02]	
DE Pulse Width	tw4H	--	320	--	CLK	DE,CLK		
Horizontal Display Period	thdp	--	320	--	CLK	D[27:22],D[17:12],D[07:02], CLK		

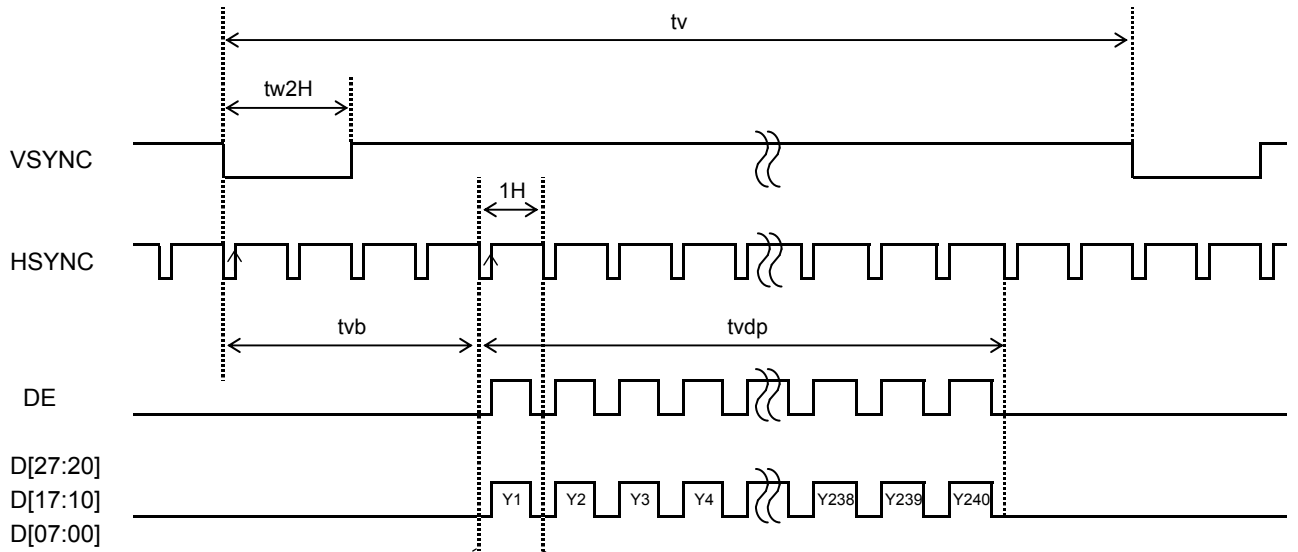
Note1: This is recommended spec to get high quality picture on display. It is customer's risk to use out of this frequency.

Note2: When Vertical Back Porch is "0", please use odd number for the setting of the total number of lines that compose one field.

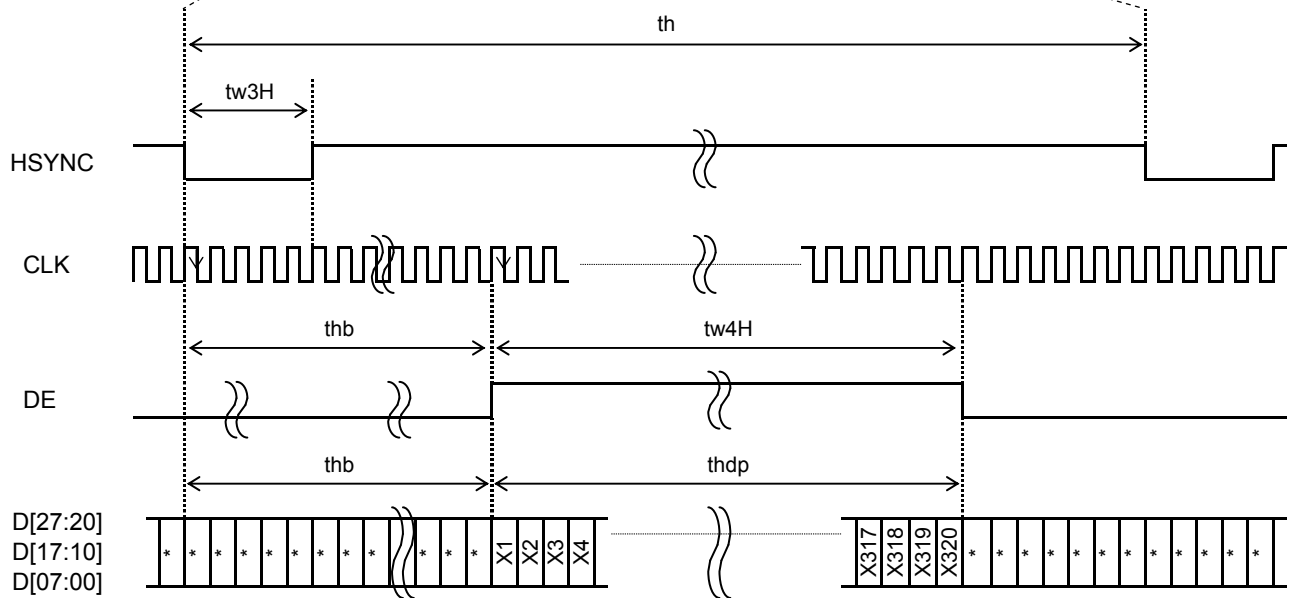
Note3: When DE keeps "Lo" for 21H and 77CLK or longer, start capturing data automatically from "22H and 78CLK".

7.4 Driving Timing Chart

-Vertical Timing



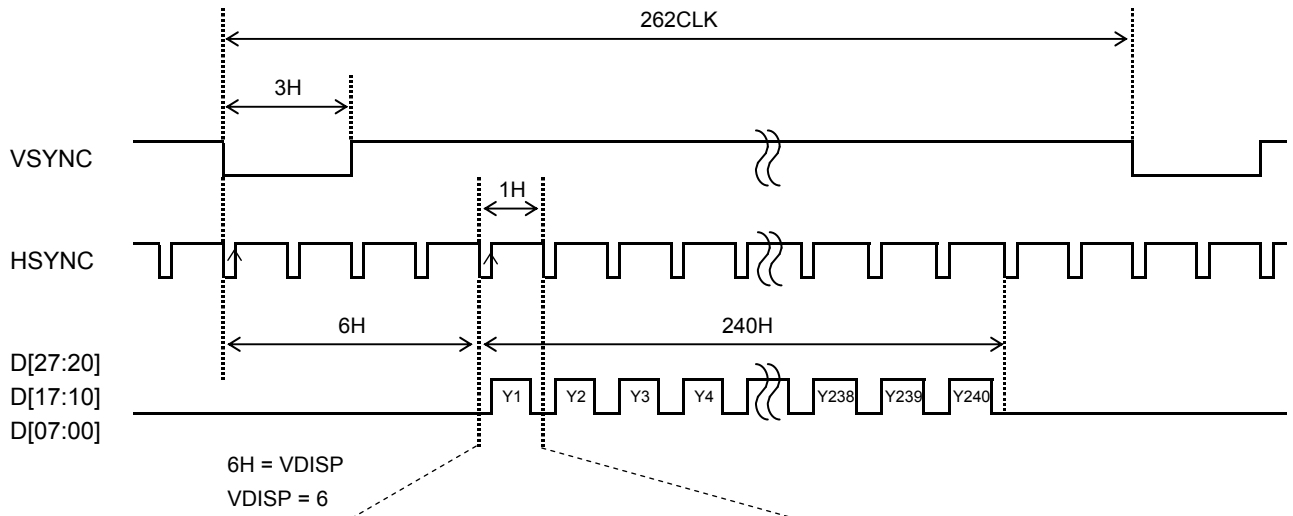
-Horizontal Timing



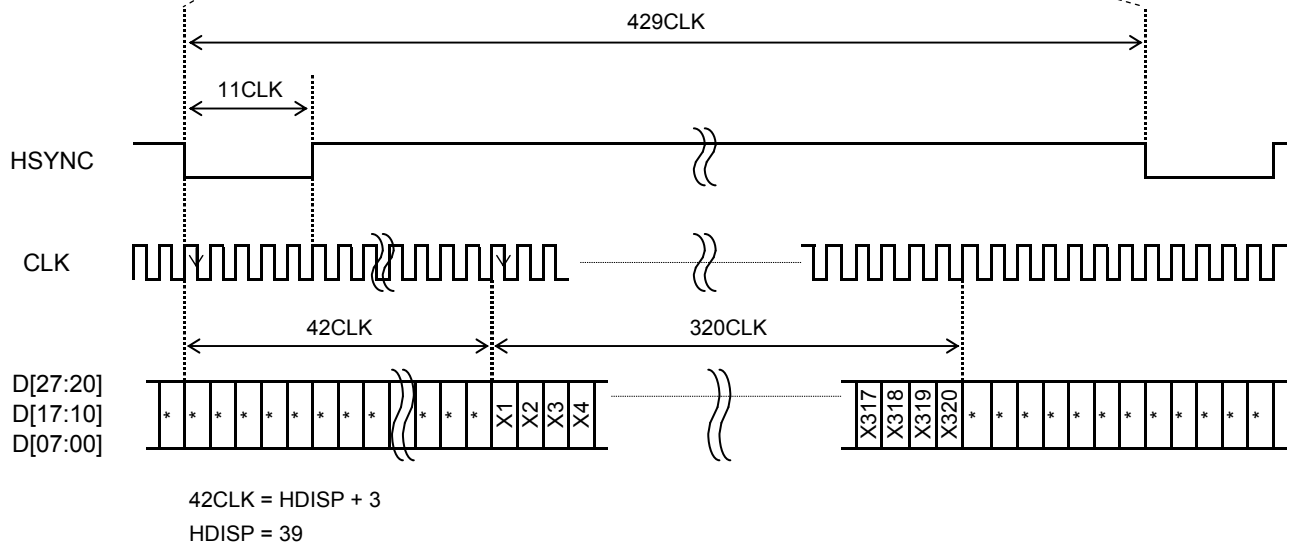
7.5 Example of Driving Timing Chart

7.5.1 MODE = "VSS"(fCLK=6.75MHz)

-Vertical Timing

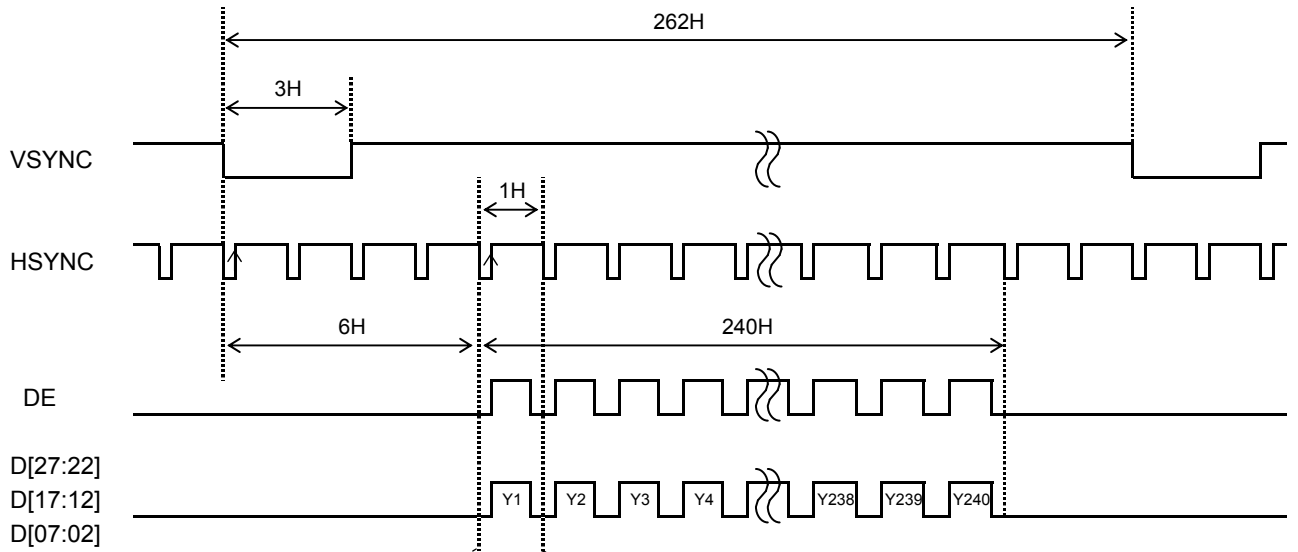


-Horizontal Timing

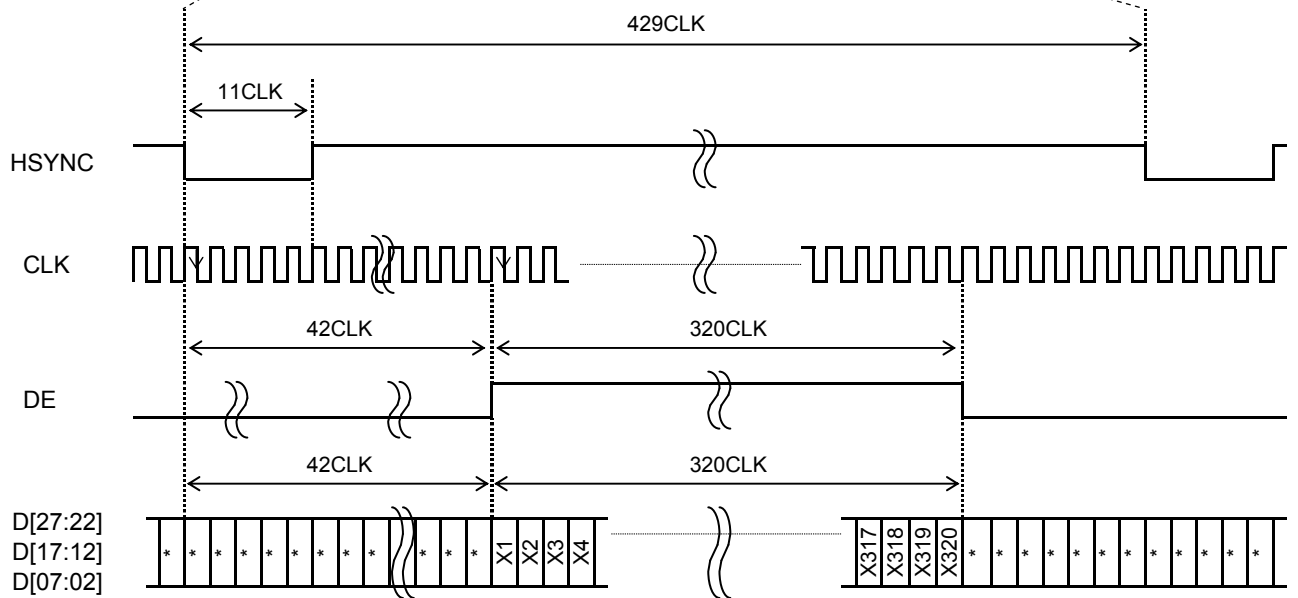


7.5.2 MODE = "VDD"(fCLK=6.75MHz)

-Vertical Timing



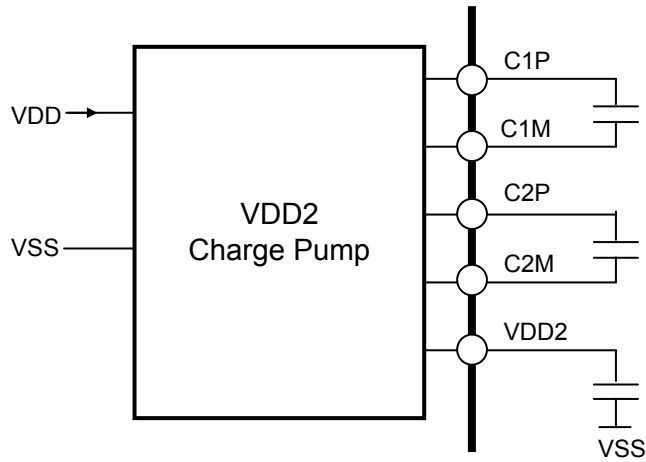
-Horizontal Timing



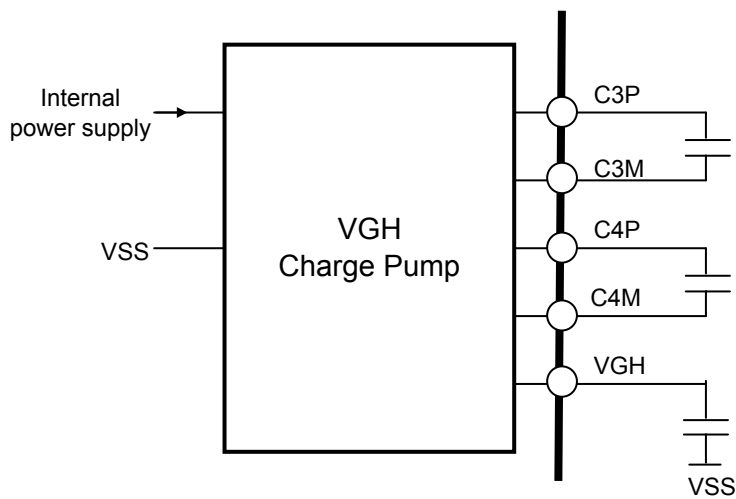
8. Description of Operation

8.1 Power Supply

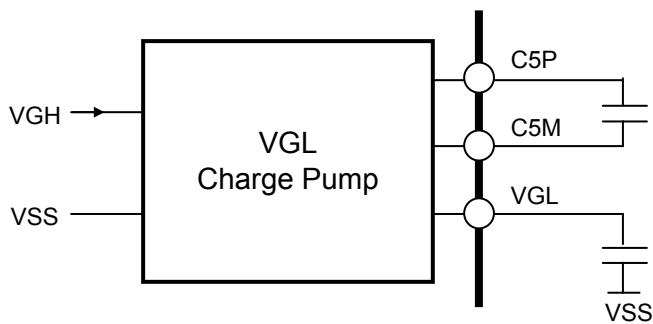
8.1.1 VDD2 Charge Pump



8.1.2 VGH Charge Pump



8.1.3 VGL Charge pump



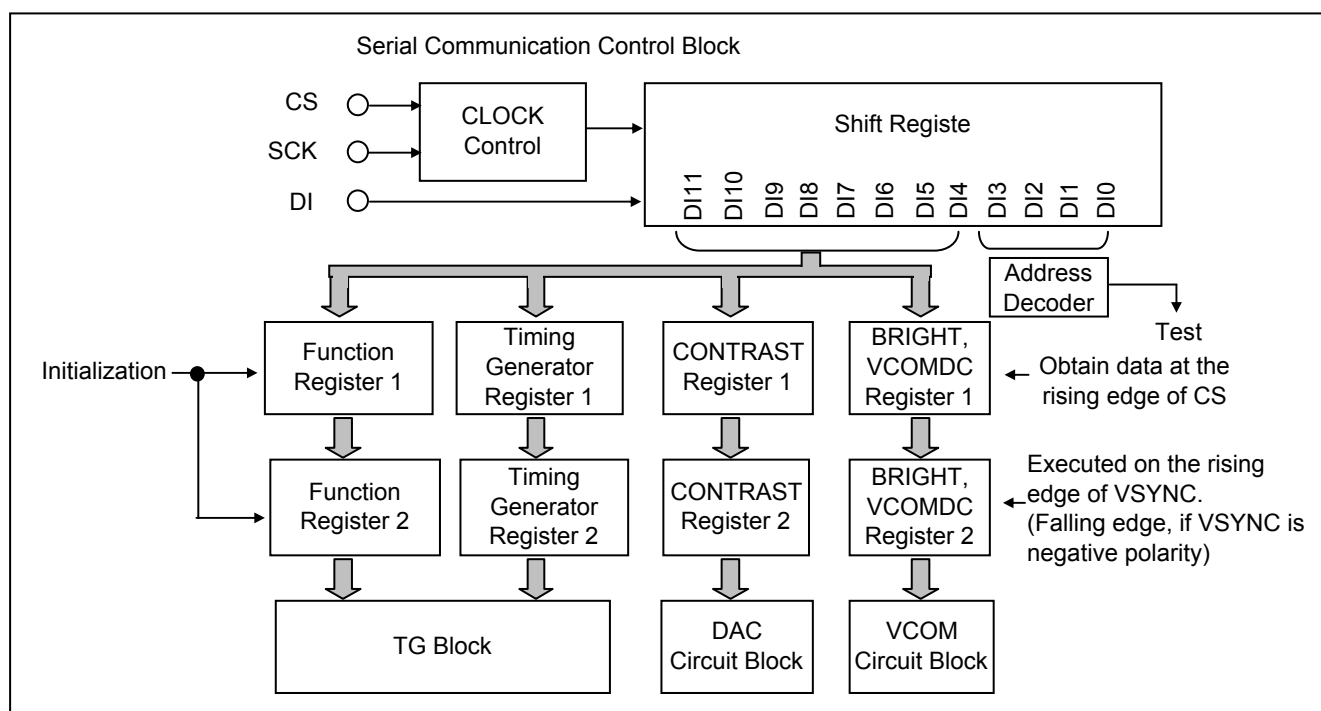
Please use ceramic capacitors with B property for external capacitors

8.2 Serial Communication

Serial communication control block in the LCD monitor is described below.
Serial communication control function is effective at "MODE" = "VSS".

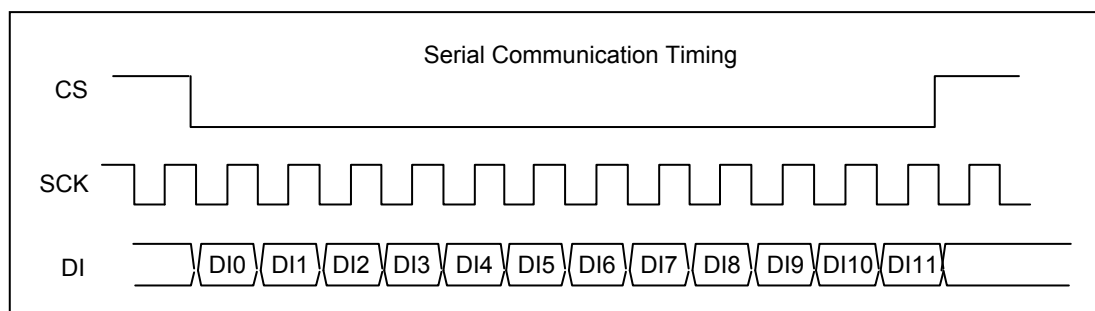
8.2.1 Feature Description

Serial communication control block is consist of registers that store data entered from CS, SCK, DI terminals and DAC that outputs control voltages to each part according to the data loaded from these registers .
All registers are set to initial values at power-on.
Electrostatics or noises may re-set the registers to improper values. It is advisable to set up serial communication as frequently as possible as liquid crystal could degrade if such state is left untreated for a long time.



8.2.2 Serial Communication Timing

After input signal of CS drops from Hi to Lo, the Shift Register loads 12 bits of serial data from DI at the rising edge of the input signal of SCK.
Mode register and DAC register load the stored data at the rising edge of the input signal of CS.
When loaded DI data during the low period of CS is less than 12 bits, all loaded data are discarded .
When loaded DI data during the low period of CS is 12 bits or more, the last read of 12 bits is used .
Each command is executed by VSYNC immediately after the rising the edge of CS.
Serial Communication Control Block is configurable at any time during display and standby mode as it is completely independent from other circuitry run by CLK in the monitor.



8.2.3 Serial Communication Data

Configuration of serial data for DI terminal

First LSB	Last MSB
DI0	DI11
DI1	DI10
DI2	DI9
DI3	DI8
DI4	DI7
DI5	DI6
DI6	DI5
DI7	DI4
DI8	DI3
DI9	DI2
DI10	DI1
DI11	DI0
Register address	Data

Register	Address				Number of bits for data	Preset value								User setting value							
	DI0	DI1	DI2	DI3		DI4	DI5	DI6	DI7	DI8	DI9	DI10	DI11	DI4	DI5	DI6	DI7	DI8	DI9	DI10	DI11
BRIGHT	0	0	0	0	6 (DI6-DI11)	-	-	0	1	0	1	1	0	-	-	User setting					
VCOMDC	1	0	0	0	6 (DI6-DI11)	-	-	1	1	1	1	1	1	-	-	Optimum setting for each monitor					
CONTRAST	0	1	0	0	4 (DI4-DI7)	0	1	1	1	-	-	-	-	User setting				-	-	-	-
PANEL1					3 (DI9-DI11)	-	-	-	-	-	0	0	1	-	-	-	-	0	0	1	
VDISP	1	1	0	0	5 (DI4-DI8)	1	0	1	0	1	-	-	-	User setting				-	-	-	
PANEL2					3 (DI9-DI11)	-	-	-	-	-	0	0	0	-	-	-	-	0	0	0	
HDISP	0	0	1	0	8 (DI4-DI11)	0	1	0	1	0	0	1	0	User setting							
PANEL3	1	0	1	0	8 (DI4-DI11)	0	1	0	0	1	1	0	0	0	1	0	0	1	1	0	0
FUNC1	0	1	1	0	8 (DI4-DI11)	0	0	0	1	0	0	0	0	0	User setting				0	0	0
FUNC2	1	1	1	0	8 (DI4-DI11)	1	1	1	1	0	0	0	0	User setting		1	0	0	-	-	
FUNC3	0	0	0	1	8 (DI4-DI11)	0	0	0	0	0	0	0	0	0	0	User setting					
FUNC4	1	0	0	1	8 (DI4-DI11)	1	0	0	0	0	0	0	0	1	User setting						
PANEL4	0	1	0	1	8 (DI4-DI11)	0	0	0	0	0	0	0	0	0	0	0	0	0	0	0	0
PANEL5	1	1	0	1	8 (DI4-DI11)	0	0	0	0	0	0	0	0	0	1	0	0	0	0	0	0
PANEL6	0	0	1	1	8 (DI4-DI11)	0	0	0	0	0	0	0	0	0	0	0	0	0	0	0	0
PANEL7	1	0	1	1	8 (DI4-DI11)	0	0	0	0	0	0	0	0	0	0	0	0	0	0	0	0
PANEL8	0	1	1	1	8 (DI4-DI11)	0	0	0	0	0	0	0	0	0	0	0	0	0	0	0	0
PANEL9	1	1	1	1	8 (DI4-DI11)	0	0	0	0	0	0	0	0	0	0	0	0	0	0	1	0

Configuration of FUNC1 Register

bit	Function	Description
DI4	TEST 0	Please fix it to "0".
DI5	Vertical flip display	Flip image vertically (from top to bottom). 0: Normal, 1: Vertical flip
DI6	Horizontal flip display	Flip image horizontally (from side to side). 0: Normal, 1: Horizontally flip
DI7	Backlight control	Set BLON signal that controls external backlight circuitry. 0: Low 1: High
DI8	Standby control	Switch between standby and operation. 0: standby, 1: operation
DI9	TEST 1	Please fix it to "0".
DI10	TEST 2	
DI11	TEST 3	

Configuration of FUNC2 Register

bit	Function	Description
DI4	HSYNC polarity	Change polarity of HSYNC. 0: Positive polarity, 1: Negative polarity
DI5	VSYNC polarity	Change polarity of VSYNC. 0: Positive polarity, 1: Negative polarity
DI6	CLK polarity	Change polarity of CLK. 0: Noninversion 1: Inversion
DI7	TEST 4	Please fix to "1".
DI8	TEST 5	Please fix it to "0".
DI9	TEST 6	
DI10	Unused	-
DI11	Unused	-

Configuration of FUNC3 Register

bit	Function	Description
DI4	Test 7	Please fix it to "0".
DI5	Test 8	
DI6	GM1[0]	Register for gamma potential correction when input data D [*7:*0] is 192(=C0h).
DI7	GM1[1]	
DI8	GM1[2]	
DI9	GM2[0]	Register for gamma potential correction when input data D[*7:*0] is 148(=94h).
DI10	GM2[1]	
DI11	GM2[2]	

Configuration of FUNC4 Register

bit	Function	Description
DI4	Test 9	Please fix to "1".
DI5	Select gamma correction curve	Select gamma correction curves. 0: built-in gamma correction curve 1: user-established gamma correction curve
DI6	GM3[0]	Register for gamma potential correction when input data D [*7:*0] is 108(=6Ch).
DI7	GM3[1]	
DI8	GM3[2]	
DI9	GM4[0]	Register for gamma potential correction when input data D[*7:*0] is 64(=40h).
DI10	GM4[1]	
DI11	GM4[2]	

-TEST 0 to TEST 9

Please fix DI4, DI9 through DI11 of the FUNC1 registers to "0".

Please fix DI7 of FUNC2 to "1", DI8 and DI9 of FUNC2 to "0". DI10 and DI11 are no connection.

Please fix DI4 and DI5 of FUNC3 to "0".

Please fix DI4 of FUNC4 to "1".

-User Setting Values

Please use "User setting values" to set up PANEL1 through PANEL9, DI4, DI9 through DI11 of FUNC1, DI7 through DI9 of FUNC2, DI4, DI5 of FUNC3 and DI4 of FUNC4.

Use of unspecified values may cause malfunction.

8.2.4 Detailed Description of Function

(1) Bright Control (BRIGHT)

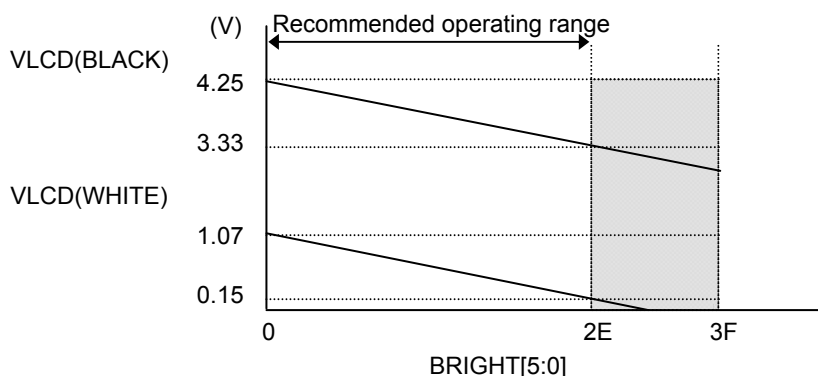
Bright setting values is controlled by 6 bit (DI6 through DI11) of BRIGHT registers.
 The display lightens in proportion to data value while VLCD changes inversely with the data value.
 Initial value of BLACK[00h] is 3.73V and WHITE[FFh] is 0.55V
 when the CONTRAST register is Eh.

The amount of change in VLCD is 0.02V per LSB.

Recommended Operating Range
 The register shall be set in 00h to 2Eh range.

(Typ.)		
BRIGHT[5:0]	VLCD(BLACK)	VLCD(WHITE)
00h	4.25V	1.07V
01h	4.23V	1.05V
~	~	~
1Ah	3.73V	0.55V
~	~	~
2Dh	3.35V	0.17V
2Eh	3.33V	0.15V

Recommended operating range



(2) Common Electrode Center Voltage (VCOMDC)

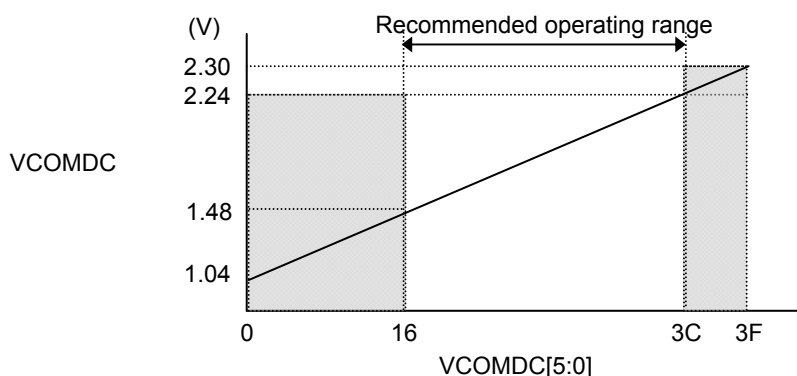
Common-electrode center voltage is controlled by 6-bit (DI6 through DI11).
 The voltage is proportional to data values. Each TFT monitor has to be optimized to its own optimum value separately. This optimization is mandatory. If not implemented, liquid crystal of TFT monitor will be degraded by long operation.

Initial value of VCOMDC is 2.30V.
 Amount of change in VCOMDC is 0.02V per LSB.

Recommended Operating Range
 Since VCOMDC has its optimum value somewhere between 1.48V and 2.24V, the register should be set in 16h to 3Ch range.

(Typ.)	
VCOMDC[5:0]	VCOMDC (V)
00h	1.04V
~	~
15h	1.46V
16h	1.48V
~	~
3Ch	2.24V
~	~
3Fh	2.30V

Recommended operating range



(3) Contrast Control (CONTRAST)

Contrast is controlled in 16 levels by 4-bit (DI4 through DI7) CONTRAST register.

Contrast is proportional to data values.

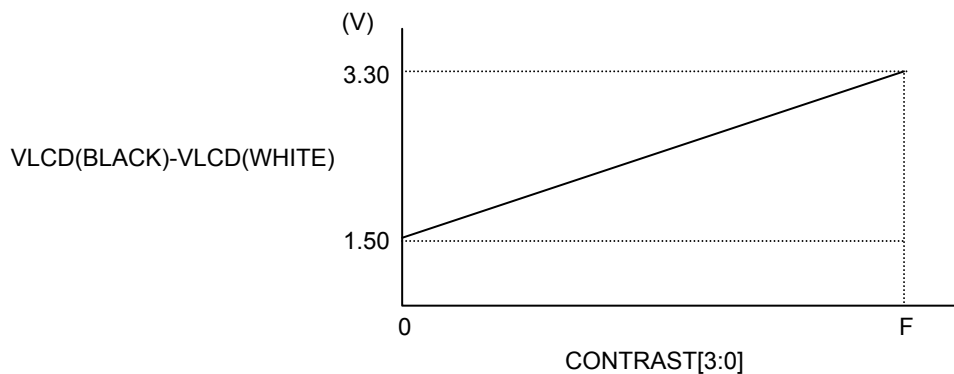
Contrast does not affect aforementioned bright control.

Initial value of Contrast is 3.18V.

Amount of change in contrast is 0.12V per LSB.

(Typ.)

CONTRAST[3:0]	VLCD(BLACK)-VLCD(WHITE)
0h	1.50V
~	~
Eh	3.18V
Fh	3.30V

**(4) Panel Setting 1 (PANEL 1)**

PANEL 1 register 3-bit (DI9 and DI11) can select operating conditions from 8 choices.

Please set this register to these values.

DI9	DI10	DI11
0	0	1

(5) Vertical Flyback Time Set (VDISP)

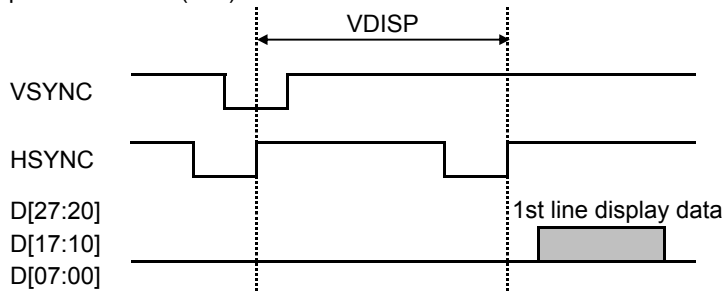
The length of vertical fly back period can be set from 0 to 31H by 5-bit of DI4 through DI8 of VDISP register. When VSYNC and HSYNC are negative polarity, "Lo" period of VSYNC is detected at the rising edge of HSYNC. The setting value of VDISP is determined by the number of horizontal periods from the first detection of VSYNC=Lo to the first line's display data input. Please set VDISP=1 as shown in "Example 1" even if the display data of the first line is input

When the pulse width of VSYNC extends over two or more H as shown in "Example 3", the setting value is determined by the number of horizontal periods from the first detection of VSYNC=Lo to the first line's display data input. When the initial value is "0", the first line's display data needs to be inputted immediately after VSYNC as shown in "Example 4".

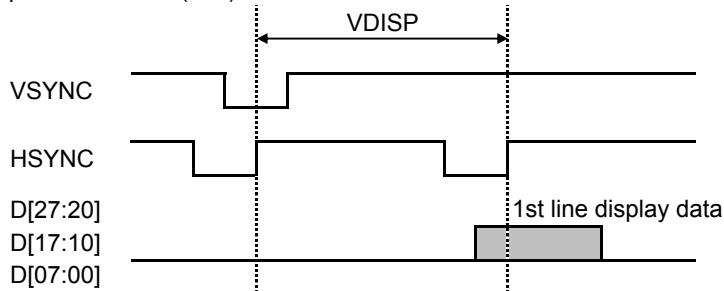
When VDISP=0, please use odd number for the setting of the total number of lines that compose one field.

This function can also be used for vertical display range setup (Vertical position setup).

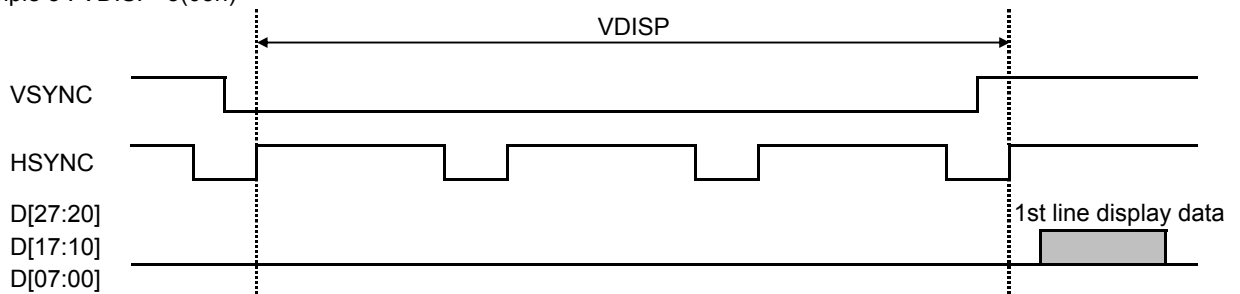
Example 1 : VDISP=1(01h)



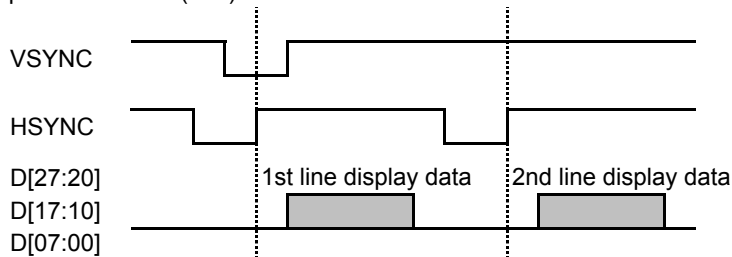
Example 2 : VDISP=1(01h)



Example 3 : VDISP=3(03h)



Example 4 : VDISP=0(00h)



(6) Panel Setting 2 (PANEL2)

PANEL 2 register 3-bit (DI9 and DI11) can select operating conditions from 8 choices.
Please set this register to these values.

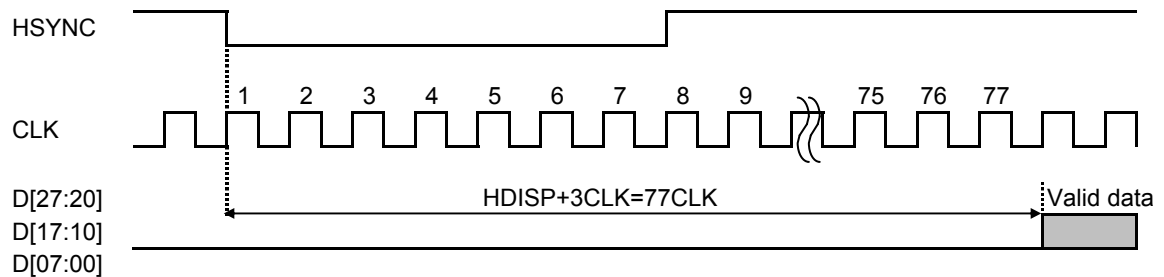
DI9	DI10	DI11
0	0	0

(7) Horizontal Flyback Period Setting (HDISP)

Horizontal flyback time can be set from 5 to 258CLK by HDISP register with 8-bit of DI14 thru DI11.
However, set value of 0 or 1 is prohibited. Actual flyback time is "setting value plus 3CLK".
When initial value is 74, a data after a lapse of $74 + 3\text{CLK} = 77\text{CLK}$ from the rising edge of HSYNC is displayed as shown in the following chart.

This function can also be used for horizontal display range setup (Horizontal position setup).

Example : HDISP=74(4Ah)



(8) Panel Setting 3 (PANEL3)

Select operating condition of the signal generated by driver IC in accordance with 8-bit of DI4 to DI11 of PANEL 3 register.

Please set this register to these values.

DI4	DI5	DI6	DI7	DI8	DI9	DI10	DI11
0	1	0	0	1	1	0	0

(9) Function Set 1 (FUNC1)

FUNC1 register sets and controls the following functions by its each bit of DI5,DI6,DI7 and di8.

- Vertical Flip Display (Up/Down)

DI5=0 for normal display, DI5=1 for vertical flip display

After completing the setup by serial communication, the selected display mode is carried out by VSYNC.

(Normal display is defined when FPC of the monitor is place downside.)

- Horizontal Flip Display (Right/Left)

DI6=0 for normal display, DI6=1 for horizontal flip display

The selected display mode is executed at VSYNC after setup by serial communication.

(Please refer to the section 8.3 for Display Data Transfer)

- Backlight Control

DI7 switches the backlight driver IC. BLON terminal outputs set value of DI7.

Since its output level is VDD or VSS, this function can also be used for other controls than the backlight.

After completing the setup by serial communication, the selected display mode is carried out by VSYNC.

- Standby Mode

DI8=0 for standby mode, DI8=1 for normal operation

Since default value of DI8 after power on is "0", it automatically goes to standby mode.

Power consumption is significantly reduced in standby mode by disabling the timing generator and the LCD driving circuitry, and disconnecting current lines.

No image is displayed (white raster display) during standby mode unless DI8 is set to 1 for normal operation by serial communication. Serial data can be received by serial communication block even in standby mode.

Please refer to the section 8.4 "Standby (Power save) Sequence" for standby mode and power on/off sequence.

When normal operation is switched to standby mode, afterimage treatment is carried out before switching to standby mode.

(10) Function Set 2 (FUNC2)

FUNC2 register sets and controls the following functions by its each bit of DI4 thru DI6.

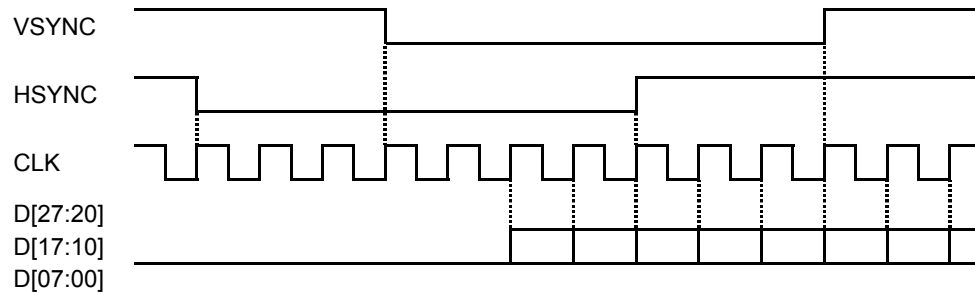
- HSYNC, VSYNC, CLK Polarity Switching

Polarity of HSYNG is switched by DI4. DI4=0 for positive polarity input, DI4=1 for negative polarity input.

Polarity of VSYNC is switched by DI5. DI5=0 for positive polarity input, DI5=1 for negative polarity input.

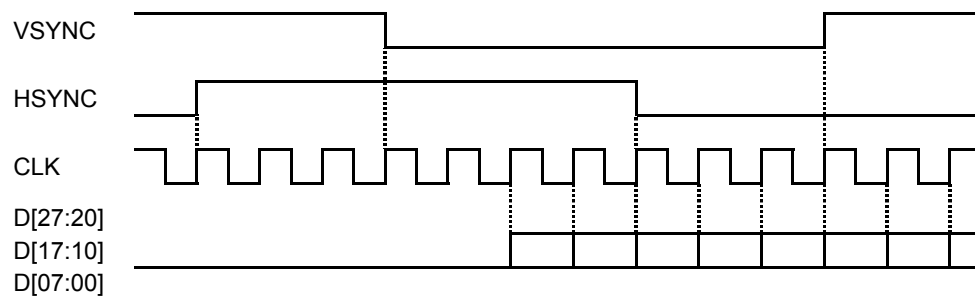
Polarity of CLK is switched by DI6. DI6=0 for non-inversion, DI6=1 for inversion.

Initial value of DI4, DI5 and DI6 are "1". The following chart shows polarity of each signal at the initial value. Please set change of VSYNC, HSYNC and display data at the rising edge of CLK.

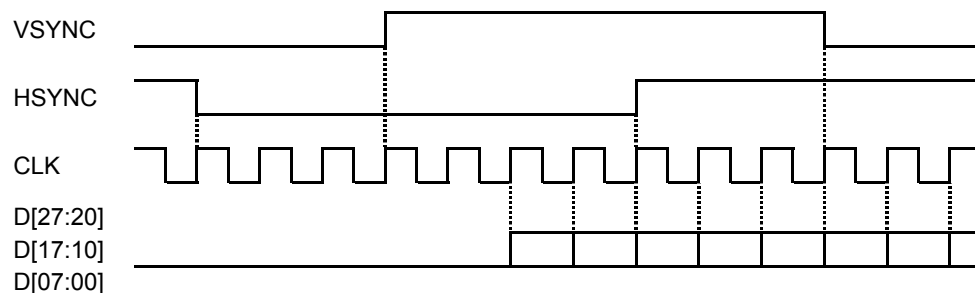


Polarity of each signal can be changed independently by logic of DI4, DI5 and DI6.

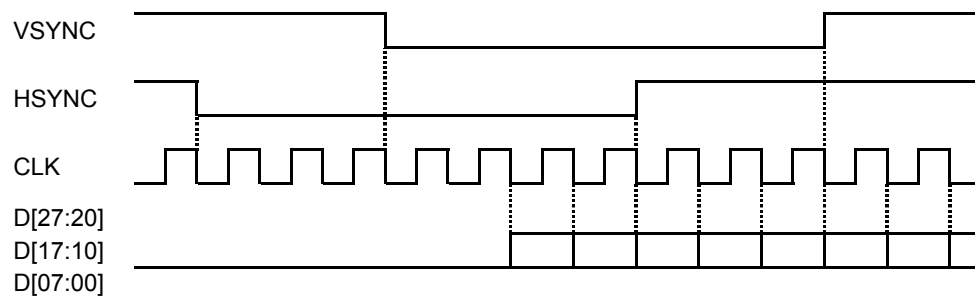
Example 1 : DI4=0, DI5=DI6=1 (HSYNC has positive polarity and Hi active)



Example 2 : DI4=1, DI5=0, DI6=1 (VSYNC has positive polarity and Hi active)



Example 3 : DI4=DI5=1, DI6=0 (CLK is reversed, data is read at the rising edge of CLK.)



(11) Function Set 3, 4 (FUNC 3, 4)

- Gamma Curve Correction Select

DI5=0 of FUNC 4 Register: Deactivate user configurable gamma correction circuitry.
Use built-in gamma curve.

DI5=1 of FUNC 4 Register: Activate user configurable gamma correction circuitry.
Use user configurable gamma correction curve.

- Setting Method of User Configurable Gamma Correction Curve

Gamma curve can be corrected by using GM1[2:0] thru GM4[2:0] registers of FUNC 3 and FUNC 4.
GM1 thru GM4 corrects each following gamma potential respectively.

GM1[2:0] → Input data D[*7:*0] = Register for gamma potential correction at 192(=C0h)

GM2[2:0] → Input data D[*7:*0] = Register for gamma potential correction at 148(=94h)

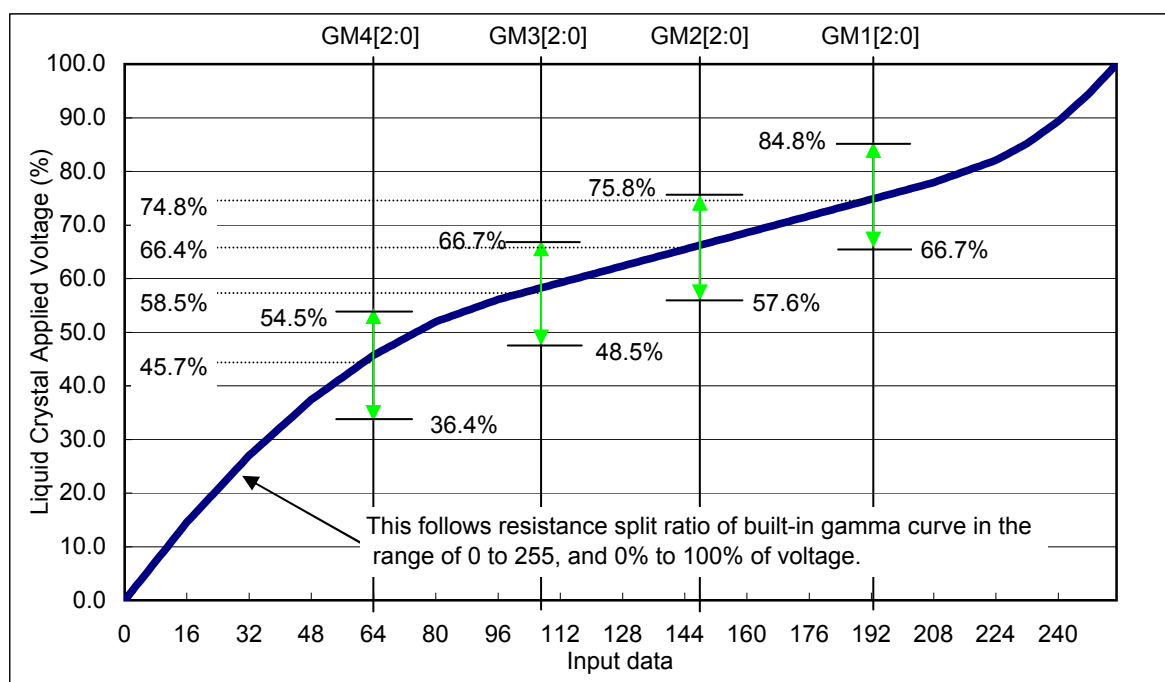
GM3[2:0] → Input data D[*7:*0] = Register for gamma potential correction at 108(=6Ch)

GM4[2:0] → Input data D[*7:*0] = Register for gamma potential correction at 64(=40h)

Below chart shows characteristic curve of gray scale input data - liquid crystal applied voltage.

Input value of "0" is assumed to be 0% of applied voltage to liquid crystal, and input value of "255" is assumed to be 100% of applied voltage to liquid crystal. Adjustable range of GM1 thru GM4 registers are described below.

	GM4[2:0]	GM3[2:0]	GM2[2:0]	GM1[2:0]
00h	No correction	No correction	No correction	No correction
01h	54.5%	66.7%	75.8%	84.8%
02h	51.5%	63.6%	72.7%	81.8%
03h	48.5%	60.6%	69.7%	78.8%
04h	45.5%	57.6%	66.7%	75.6%
05h	42.4%	54.5%	63.6%	72.7%
06h	39.4%	51.5%	60.6%	69.7%
07h	36.4%	48.5%	57.6%	66.7%



When no correction is made to gamma potential of GM1 to GM4;
The voltages at "0" and "255" are fixed in accordance with the contrast and brightness settings,
and voltages at 1 to 254 are determined by resistor split ratio produced by the driver IC built-in gamma curve resistor.
(Refer to the chart in previous page)

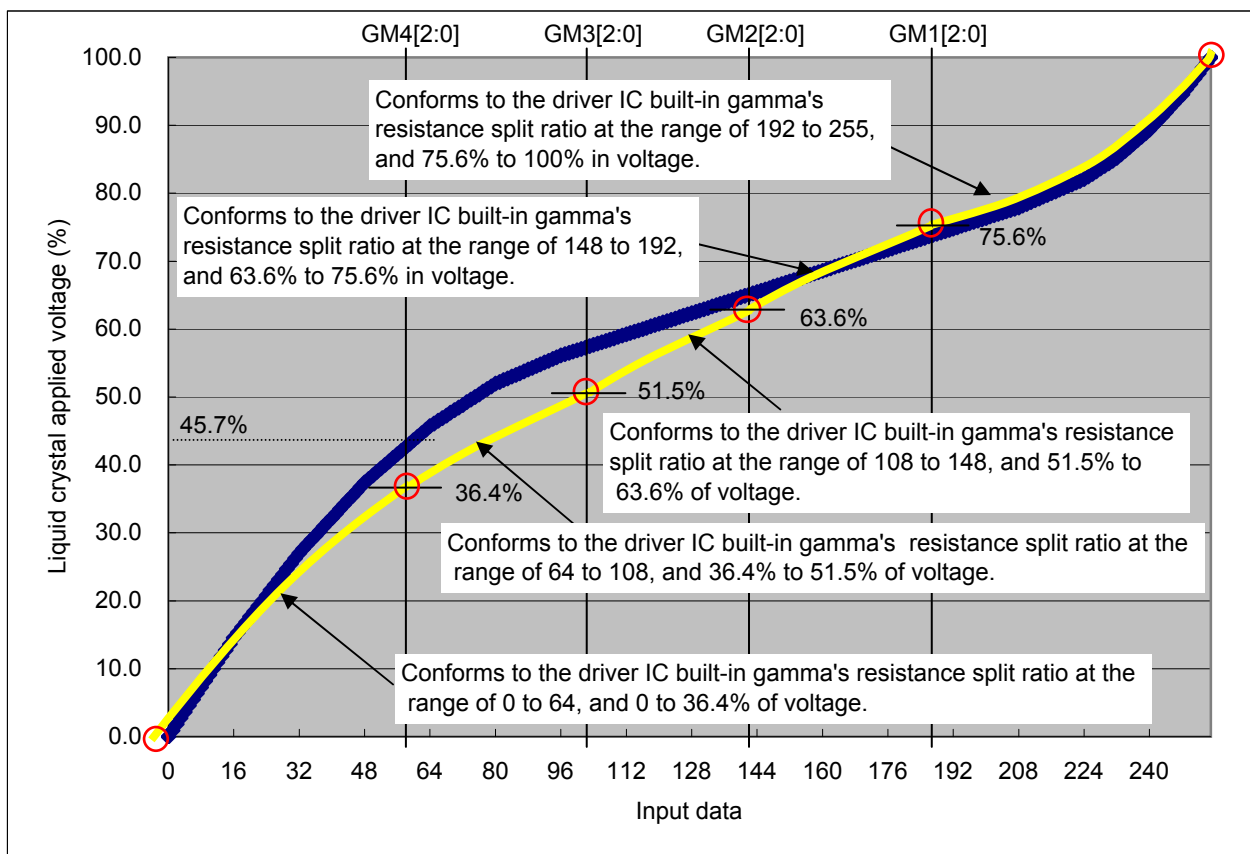
Liquid crystal applied voltage takes the values of 45.7%, 58.5%, 66.4% and 74.8% when input data is 64, 108, 148 and 192 respectively.

When correction is made to any of GM1 to GM4 by user;
The voltage is corrected in accordance with a correction point and its set value configured by user.
The voltages at 1 to 254 are determined by resistor split ratio between voltage at 0 and 225 and input data.

Example:

Darken gray scale in black side.

- Change liquid crystal applied voltage at the 64 point to darken side.
- Set GM4[2:0] to 7h, GM3[2:0] to 6h, GM2[2:0] to 5h and GM1[2:0] to 4h.



(12) Panel Select 4 (PANEL 4)

Select operating condition of the signal generated by driver IC in accordance with 8-bit of DI4 to DI11 of PANEL 4 register. Please set this register to this value.

DI4	DI5	DI6	DI7	DI8	DI9	DI10	DI11
0	0	0	0	0	0	0	0

(13) Panel Select 5 (PANEL 5)

Select operating condition of the signal generated by driver IC in accordance with 8-bit of DI4 to DI11 of PANEL 5 register. Please set this register to this value.

DI4	DI5	DI6	DI7	DI8	DI9	DI10	DI11
0	1	0	0	0	0	0	0

(14) Panel Select 6 (PANEL 6)

Select operating condition of the signal generated by driver IC in accordance with 8-bit of DI4 to DI11 of PANEL 6 register. Please set this register to this value.

DI4	DI5	DI6	DI7	DI8	DI9	DI10	DI11
0	0	0	0	0	0	0	0

(15) Panel Select 7 (PANEL 7)

Select operating condition of the signal generated by driver IC in accordance with 8-bit of DI4 to DI11 of PANEL 7 register. Please set this register to this value.

DI4	DI5	DI6	DI7	DI8	DI9	DI10	DI11
0	0	0	0	0	0	0	0

(16) Panel Select 8 (PANEL 8)

Select operating condition of the signal generated by driver IC in accordance with 8-bit of DI4 to DI11 of PANEL 8 register. Please set this register to this value.

DI4	DI5	DI6	DI7	DI8	DI9	DI10	DI11
0	0	0	0	0	0	0	0

(17) Panel Select 9 (PANEL 9)

Select operating condition of the signal generated by driver IC in accordance with 8-bit of DI4 to DI11 of PANEL 9 register. Please set this register to this value.

DI4	DI5	DI6	DI7	DI8	DI9	DI10	DI11
0	0	0	0	0	0	1	0

8.3 Display Data Transfer

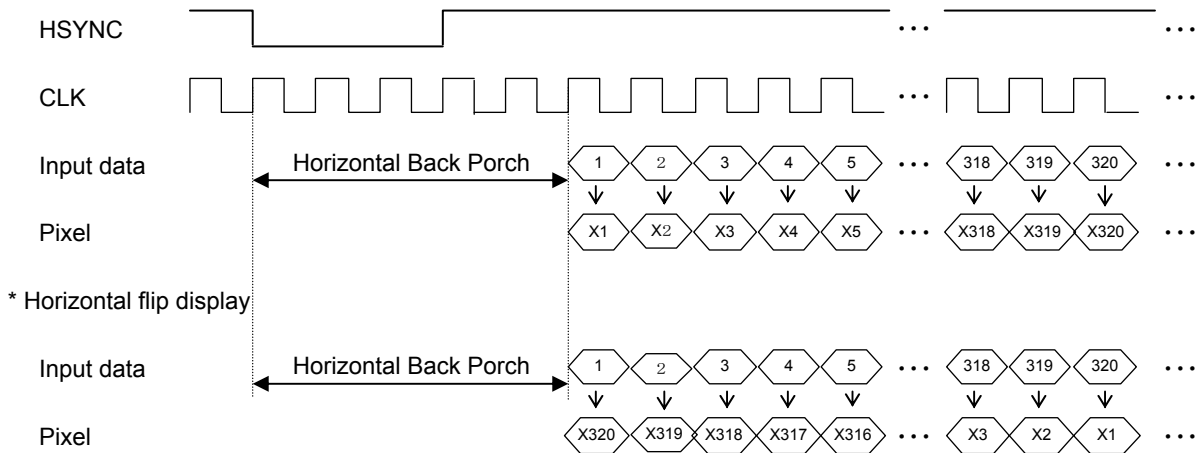
Input display data to D[27:20],D[17:10],D[07:00]. D*0 :LSB, D*7 :MSB

- Horizontal Timing and Order of Input Data

Display data shall be input in synchronization with CLK.

Polarity of CLK can be selected by DI16 of FUNCTION SET 2 (FUNC2).(at "MODE" = "VSS")

Normal display: Normal display is defined as the orientation that the FPC cable on the TFT monitor is placed on the downside.



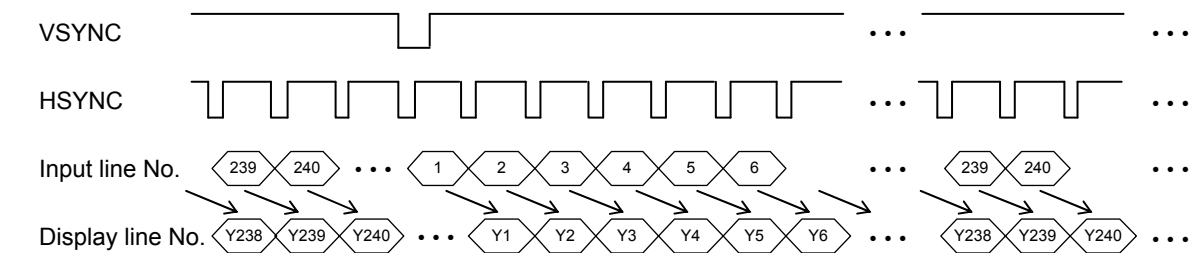
* Above timing chart shows correlation between input data and pixels in visual way and it is not actual timing chart.

- Vertical Timing and Order of Input Data

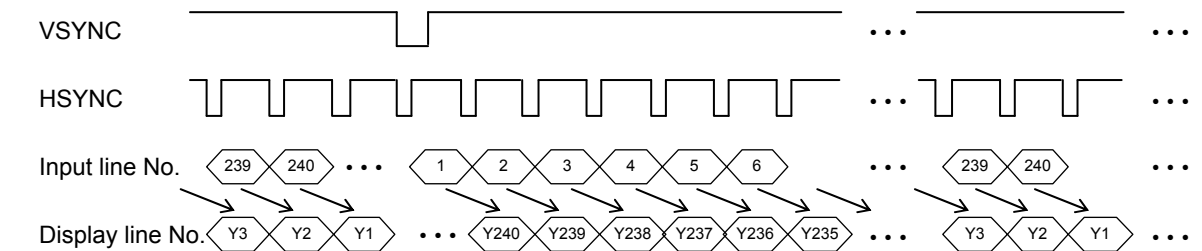
Transfer of display data that consist of 240 lines in 1 field is explained below.

The correlations between input line and display line at normal display and vertical flip display are described below.

Normal display: Normal display is defined as the orientation that the FPC cable on the TFT monitor is placed on the downside.



* Vertical flip display



* Above timing chart shows correlation between input data and pixels in visual way and it is not actual timing chart.

8.4 Standby (Power Save) Sequence

When "MODE" = "VSS", serial communication signals of CS, DI and SCK shall be input after VDD stabilizes at $VDD \geq [0.9 \times VDD]V$ for more than 20 msec or more after power on.

All initial values of serial data shall be set during this standby mode.

Other logic input signals of HSYNC, VSYNC, D[27:20], D[17:10], D[07:00] and CLK shall be input simultaneously after power on (specified period marked ① in next page). All input signals shall be set to a fixed DC to reduce power consumption during standby mode.

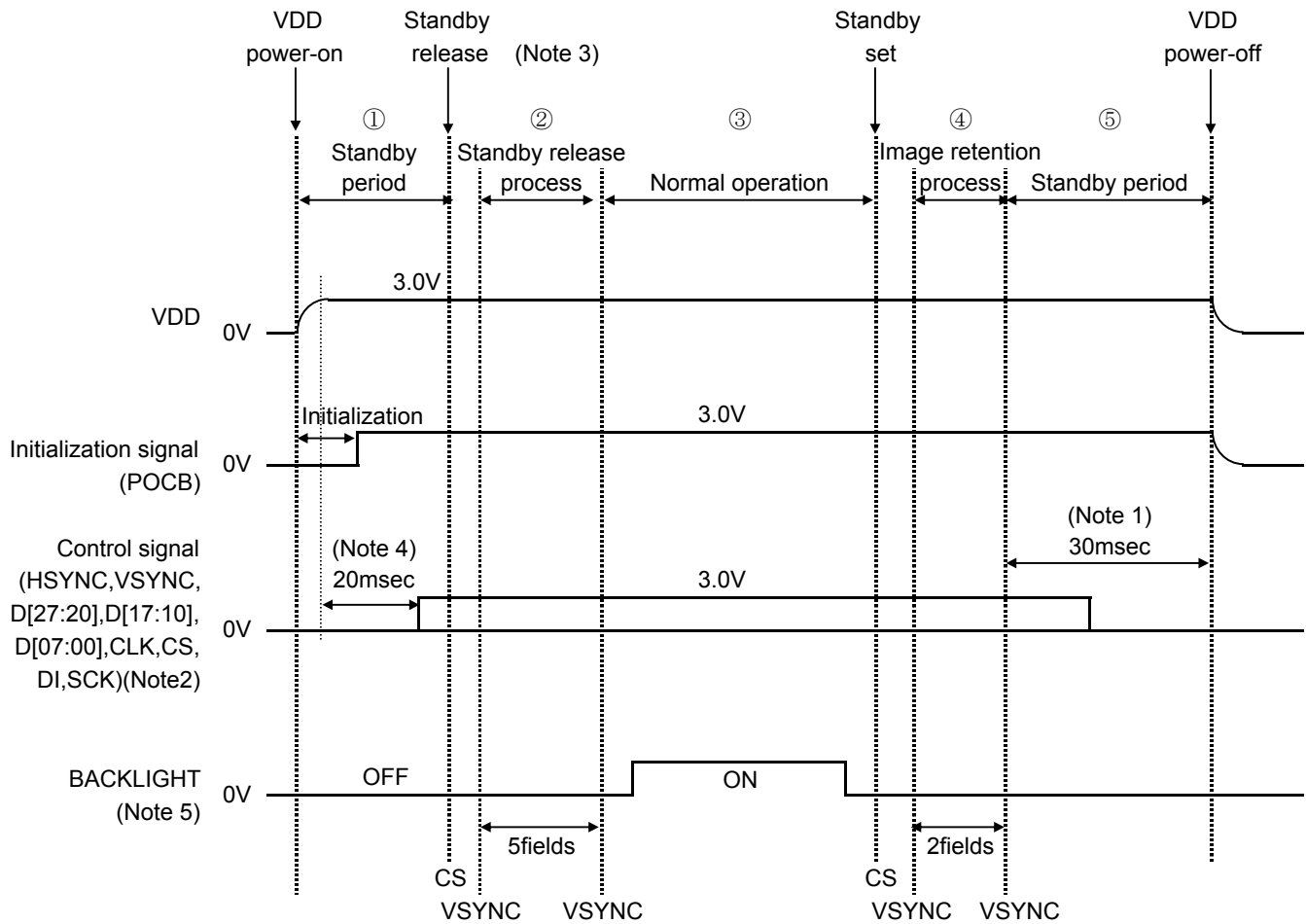
Please follow the recommended power on/off sequence described below.

- ① Right after power on, serial communication registers are initialized.
Therefore, standby control bit takes the value of "0".
By this procedure the LCD goes into standby mode which significantly reduces power consumption of the LCD. No image is displayed (white raster display) on the screen and internal power circuit is deactivated during standby mode.
Sync signal and display data (HSYNC, VSYNC, D[27:20], D[17:10], D[07:00], CLK) start to input before standby mode is released by serial communication.
- ② When the standby control bit is set to "1" by serial communication or the terminal "STBY" turn to "Lo" from "Hi", the standby mode is released by following VSYNC and the power supply circuit of building into begins operating. No image is displayed (white raster display) on the screen for 5 fields from the following VSYNC after the release of standby mode.
- ③ LCD goes into normal display (display under normal operation) at the timing of VSYNC after completion of the procedure described in ②. Backlight shall be lit up 1 or more field after going to normal display.
- ④ Standby mode can be established by setting standby control bit to "0" by serial communication or the terminal "STBY" turn to "Hi" from "Lo".
Display data is changed to FFh at VSYNC that comes right after this serial communication, and afterimage treatment is performed for 2 fields of VSYNC. Displayed image under normal display is immediately changed to white raster display by this treatment.
Continue to input sync signal (HSYNC, VSYNC, CLK) during this period.
- ⑤ LCD goes into standby mode, which is same as ① above, at the timing of VSYNC after completion of the procedure described in ④. Serial communication data is retained during standby mode. Serial communication signal and input signal can be deactivated.

② to ④ repeats same procedures as described above.

Below procedure must be followed for power-off.

- ① Implement standby setting.
- ② After standby setting, continue to input sync signals (HSYNC, VSYNC, CLK) during the image treatment period (until VSYNC after 2 fields subsequent to standby setting).
- ③ After ②, power off VDD after 30msec or more.
- ④ Stop the sync signals (HSYNC, VSYNC, CLK) subsequent to afterimage treatment period and no later than VDD off.



Note 1: Power off VDD more than 30 msec after VSYNC that arrives 2 fields from standby set.

Note 2: Input CLK during the period of inputting sync signals (HSYNC, VSYNC) and display data D[27:20], D[17:10], D[07:00].

Note 3: Due consideration needs to be given to power supply capacity as bigger current (inrush current) flows at standby release.

Note 4: Serial communication signals should be input after VDD stabilizes at $VDD \geq [0.9 \times VDD]V$ for more than 20 msec. And initial values of all serial data should be set during this period before standby release.

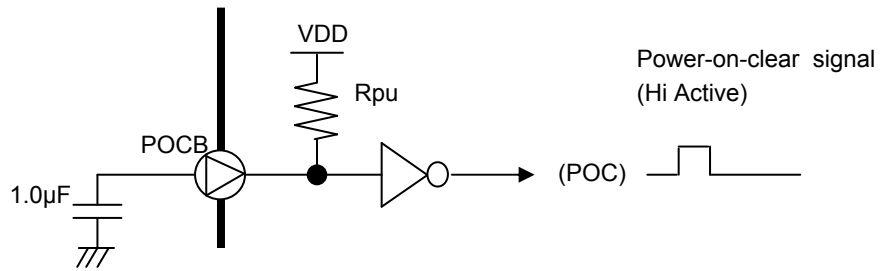
Note 5: Backlight should be turned on after 5 field from starting display. Backlight should be turned off before standby is set.

Voltage values shown in this chart are typical values, not fixed values.

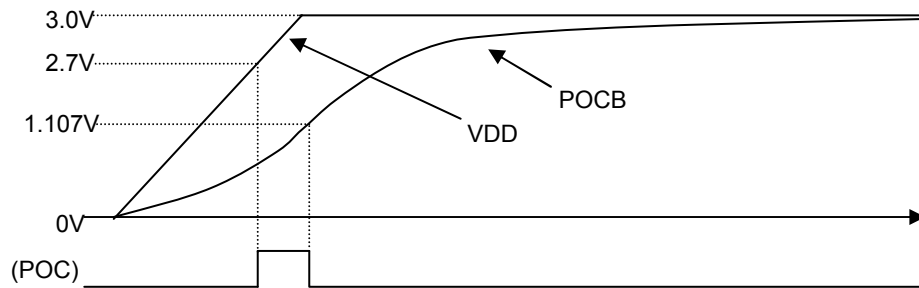
8.5 Power On Sequence

There is the following limit between a power on period and the serial communication setting.

Power-on-clear circuit diagram

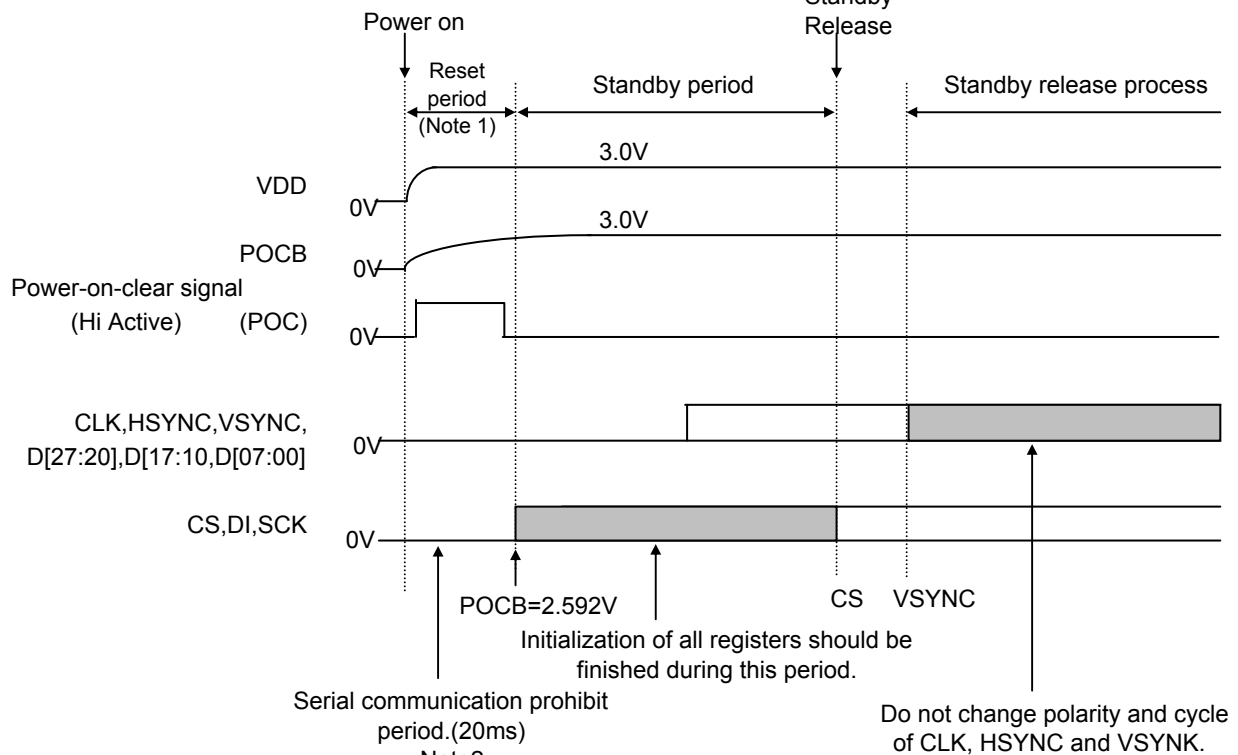


POCB terminal is connected to VDD through the pull-up resistor (Rpu).
 When rising of VDD takes long time, POCB will have unstable and unpredictable waveform.
 Please determine value of external capacitor by which POCB takes 1.107 V or less at VDD is 2.7V.



Power On Sequence

Serial Communication Prohibition Period

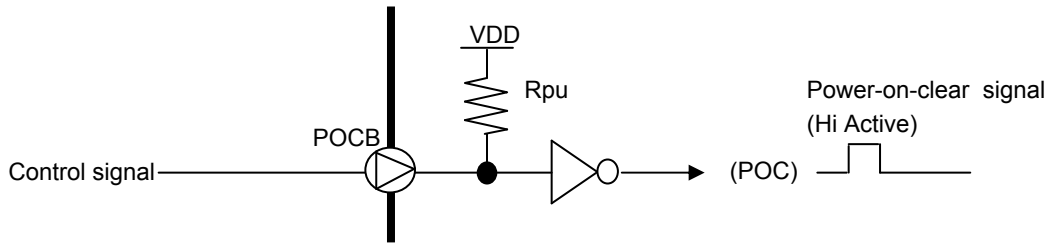


Note 1: All logic input signals are ignored during input period (POC is Hi).

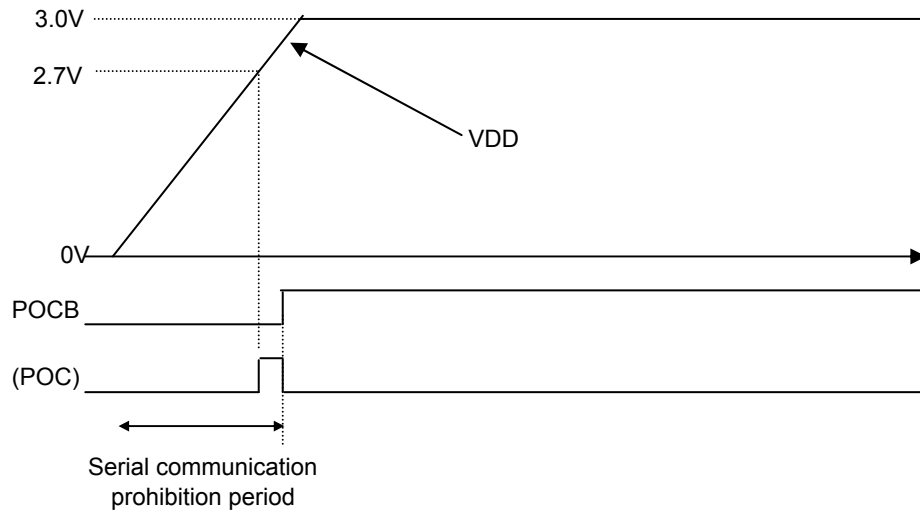
Note 2: Serial communication signals shall be input after VDD stabilizes at $VDD \geq [0.9 \times VDD]V$ for more than 20 msec or more after power on.

In case of rapid startup after power-on, directly control POCB terminal.

Power-on-clear circuit diagram



In case of directly controlling POCB terminal, POCB terminal should be set to "Lo" at Power-on. POCB should be changed to "Hi" after VDD is exceeding 2.7V. Serial communication is prohibited while POCB is "Lo".



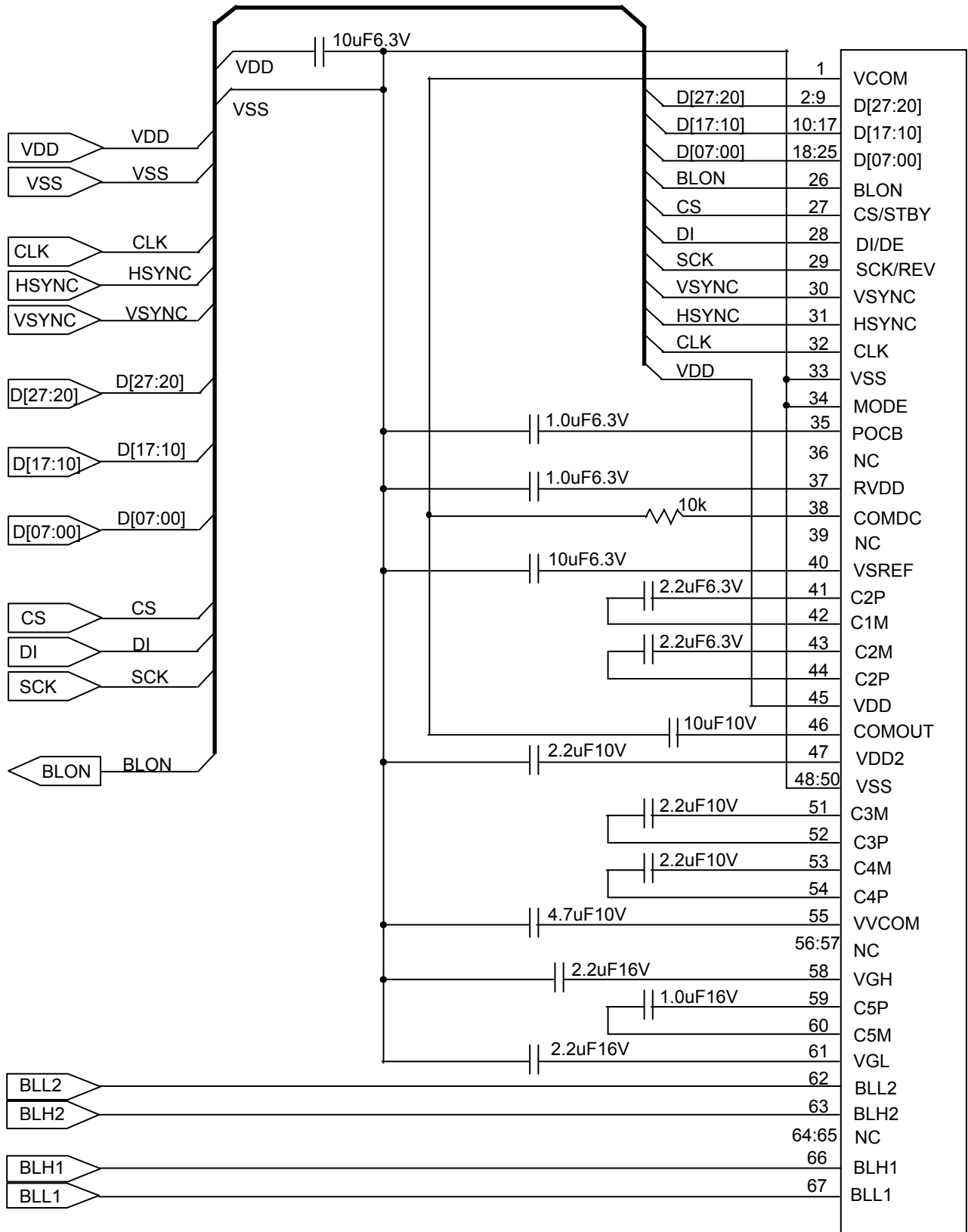
8.6 Other Functions

- Built-in Panel Residual Charge Reduction Circuit

When the power turns off in accordance with the mandatory procedure described in the section "8.4 Standby (Power save) Sequence", afterimage treatment is carried out after standby mode is set. This circuit automatically reduces panel's residual charge and prevents afterimage for a long time even if standby mode setting fails to be made before power-off.

9. Circuit

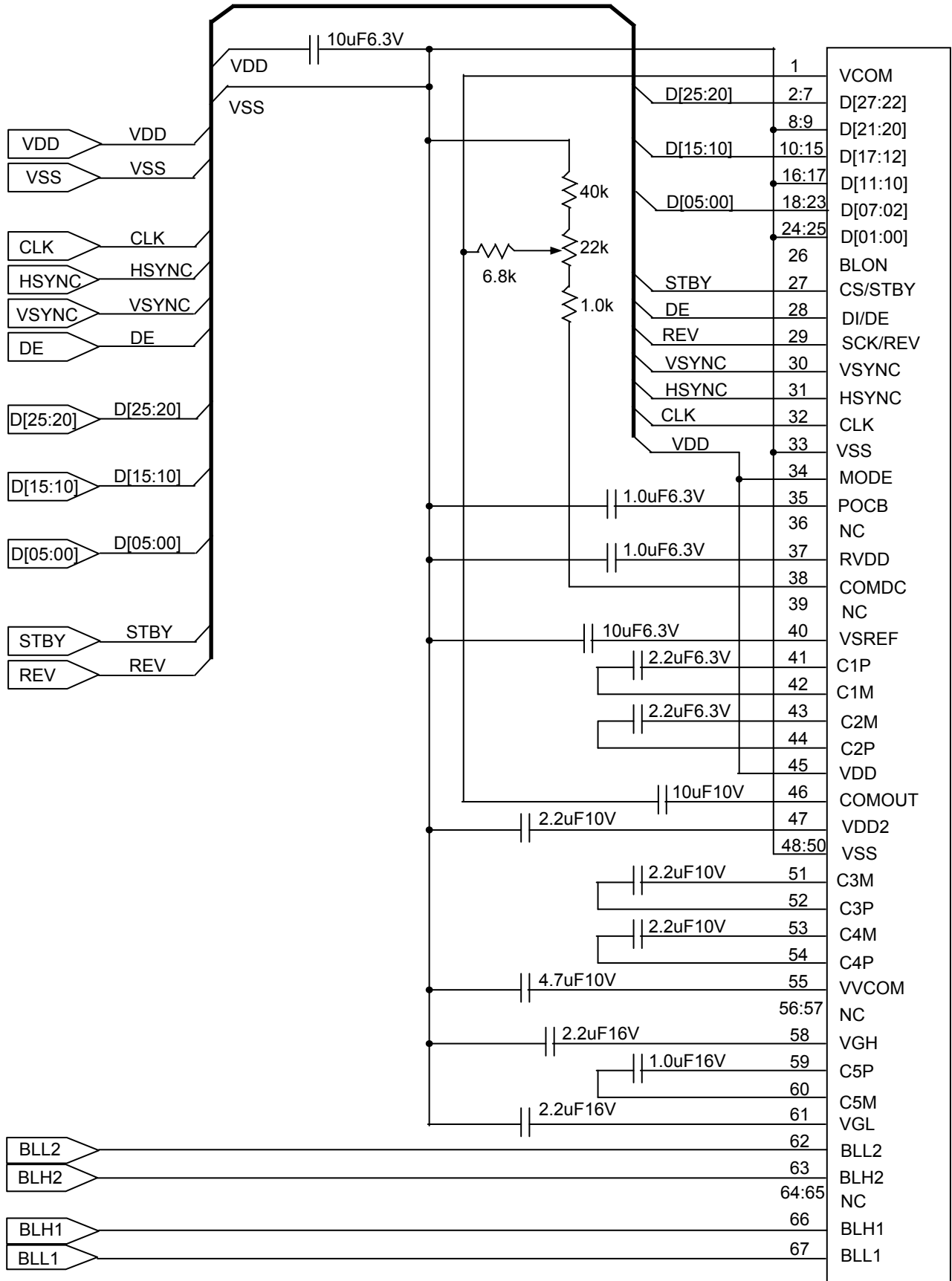
9.1 Driving Circuit Example(Module) ["MODE" = "VSS"]



TFT LCD MODULE REFERENCE CIRCUIT

This circuit is solely for reference purpose and optimum circuit and components values may be different. User's due consideration and evaluation must be given to this circuit design and component values prior to their intended use.

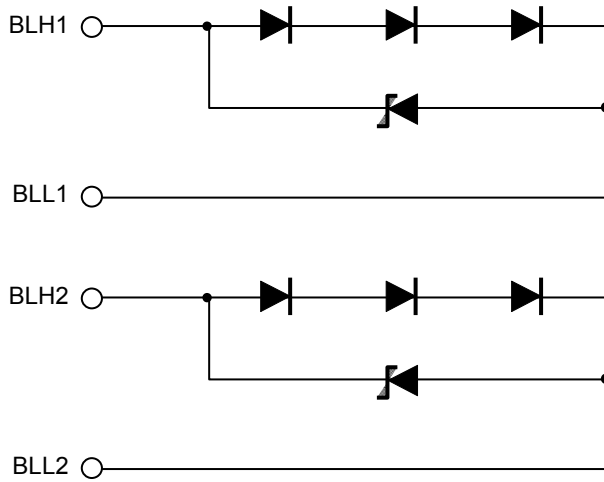
9.2 Driving Circuit Example(Module) ["MODE" = "VDD"]



TFT LCD MODULE REFERENCE CIRCUIT

This circuit is solely for reference purpose and optimum circuit and components values may be different. User's due consideration and evaluation must be given to this circuit design and component values prior to their intended use.

9.3 LED Circuit



10. Characteristics

10.1 Optical Characteristics

< Measurement Condition >

Measuring instruments: CS1000 (KONICA MINOLTA) , LCD7200(OTSUKA ELECTRONICS) ,
EZcontrast160D (ELDIM)

Driving condition: VDD = 3.0V, VSS = 0V
Optimized Vcom/c

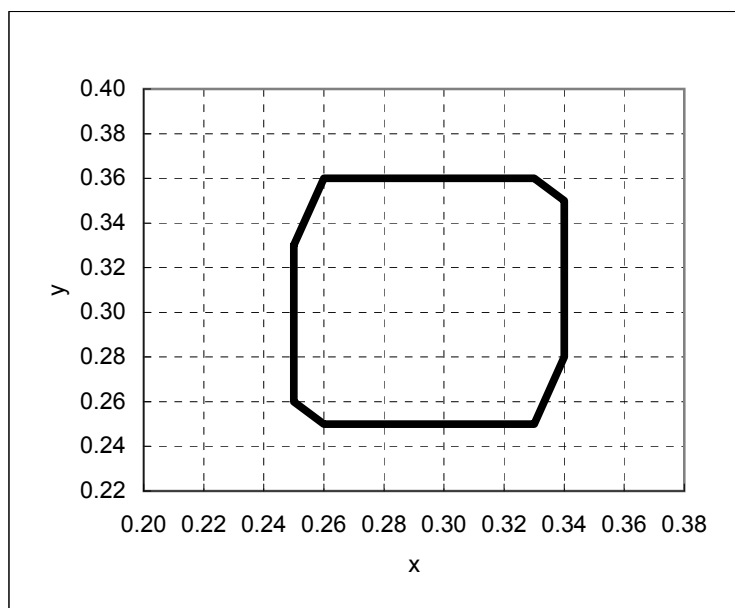
Backlight: IL=7.1mA

Measured temperature: Ta=25° C

Item		Symbol	Condition	MIN	TYP	MAX	Unit	Note No.	Remark
Response time	Rise time	TON	[Data]= FFh→00h	—	—	40	ms	1	※
	Fall time	TOFF	[Data]= 00h→FFh	—	—	60	ms		
Contrast ratio	Backlight ON	CR	[Data]= FFh/00h	240	400	—		2	
	Backlight OFF			—	9.0	—			
Viewing angle	Left	θL	[Data]= FFh/00h CR≥10	80	—	—	deg	3	※
	Right	θR		80	—	—	deg		
	Up	φU		80	—	—	deg		
	Down	φD		80	—	—	deg		
White Chromaticity		x	[Data]=FFh	White chromaticity range				4	
	y								
Burn-in				No noticeable burn-in image should be observed after 2 hours of window pattern display.				5	
Center brightness			[Data]=FFh	210	300	—	cd/m ²	6	
Brightness distribution			[Data]=FFh	70	—	—	%	7	

* Note number 1 to 7: Refer to the APPENDIX of "Reference Method for Measuring Optical Characteristics".

※ Measured in the form of LCD module.



White Chromaticity Range

【White Chromaticity Range】

x	y
0.25	0.33
0.25	0.26
0.26	0.25
0.33	0.25
0.34	0.28
0.34	0.35
0.33	0.36
0.26	0.36

10.2 Temperature Characteristics

< Measurement Condition >

Measuring instruments: CS1000 (KONICA MINOLTA) , LCD7200(OTSUKA ELECTRONICS)

Driving condition: VDD = 3.0V, VSS = 0V

Optimized Vcom/c

Backlight: IL=7.1mA

Item			Specification		Remark
			Ta = -20 °C	Ta = 70 °C	
Contrast ratio		CR	40 or more	40 or more	Backlight ON
Response time	Rise time	TON	200 msec or less	30 msec or less	※
	Fall time	TOFF	300 msec or less	50 msec or less	※
Display Quality			No noticeable display defect or nonuniformity should be observed.		Use the criteria for judgment specified in the section 11.

※ Measured in the form of LCD module.

11. Criteria of Judgment

11.1 Defective Display and Screen Quality

Test Condition:	Observed TFT-LCD monitor from front during operation with the following conditions
Driving Signal	Raster Patter (RGB, white, black)
Signal condition	[Data]:FFh, A0h, 00h (3 steps)
Observation distance	30 cm
Illuminance	200 to 350 lx
Backlight	IL=7.1mA

Defect item	Defect content	Criteria		
Display Quality	Line defect	Black, white or color line, 3 or more neighboring defective dots	Not exists	
	Dot defect	Uneven brightness on dot-by-dot base due to defective TFT or CF, or dust is counted as dot defect (brighter dot, darker dot)	Refer to table 1	
		High bright dot: Visible through 2% ND filter at [Data]=00h	ignored	
		Low bright dot: Visible through 5% ND filter at [Data]=00h		
	Dark dot: Appear dark through white display at [Data]=A0h			
	Invisible through 5% ND filter at [Data]=00h	ignored		
Screen Quality	Dirt	Uneven brightness (white stain, black stain etc)	Invisible through 1% ND filter	
	Foreign particle	Point-like	$0.25\text{mm} < \varphi$	N=0
			$0.20 < \varphi \leq 0.25\text{mm}$	$N \leq 2$
			$\varphi \leq 0.20\text{mm}$	Ignored
		Liner	$3.0\text{mm} < \text{length and } 0.08\text{mm} < \text{width}$	N=0
	$\text{length} \leq 3.0\text{mm or width} \leq 0.08\text{mm}$		Ignored	
Others		Use boundary sample for judgment when necessary		

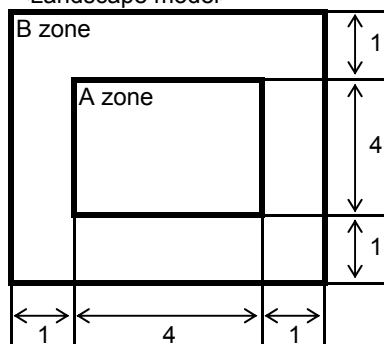
φ (mm): Average diameter = (major axis + minor axis)/2

Permissible number: N

Table 1

Area	High bright dot	Low bright dot	Dark dot	Total	Criteria
A	0	2	2	3	Permissible distance between same color bright dots (includes neighboring dots): 3 mm or more Permissible distance between same color high bright dots (includes neighboring dots): 5 mm or more
B	2	4	4	6	
Total	2	4	4	7	

<Landscape model>



Division of A and B areas

B area: Active area

Dimensional ratio between A and B areas: 1: 4: 1 (Refer to the left figure)

11.2 Screen and Other Appearance

Testing conditions

Illuminance	1200~2000 lx
Observation distance	30cm

Item		Criteria	Remark
Polarizer	Flaw	Ignore invisible defect when the backlight is on.	Applicable area: Active area only (Refer to the section 3.2 "Outward form")
	Stain		
	Bubble		
	Dust		
	Dent		
S-case		No functional defect occurs	
FPC cable		No functional defect occurs	

12. Reliability Test

Test item		Test condition		number of failures /number of examinations
Durability test	High temperature storage	Ta=80° C	240hr	0/3
	Low temperature storage	Ta=-30° C	240hr	0/3
	High temperature & high humidity storage	Ta=60° C, RH=90% non condensing	240hr	0/3
	High temperature operation	Tp=70° C	240hr	0/3
	Low temperature operation	Tp=-20° C	240hr	0/3
	High temp & humid operation	Tp=40° C, RH=90% non condensing	240hr	0/3
	Thermal shock storage	-30←→80° C(30min/30min)	100 cycles	0/3
Mechanical environmental test	Electrostatic discharge test (Non operation)	Confirms to EIAJ ED-4701/300 C=200pF,R=0Ω,V=±200V Each 3 times of discharge on and power supply and other terminals.		0/3
	Surface discharge test (Non operation)	C=250pF, R=100Ω, V=±12kV Each 5 times of discharge in both polarities on the center of screen with the case grounded.		0/3
	FPC tension test	Pull the FPC with the force of 3N for 10 sec. in the direction - 90-degree to its original direction.		0/3
	FPC bend test	Pull the FPC with the force of 3N for 10 sec. in the direction -180-degree to its original direction. Repeat it 3 times.		0/3
	Vibration test	Total amplitude 1.5mm, f=10~55Hz, X,Y,Z directions for each 2 hours		0/3
	Impact test	Use ORTUS TECHNOLOGY original jig (see next page) and make an impact with peak acceleration of 1000m/s ² for 6 msec with half sine-curve at 3 times to each X, Y, Z directions in conformance with JIS 60068-2-27-2011.		0/3
Packing test	Packing vibration-proof test	Acceleration of 19.6m/s ² with frequency of 10→55→10Hz, X,Y, Zdirection for each 30 minutes		0/1 Packing
	Packing drop test	Drop from 75cm high. 1 time to each 6 surfaces, 3 edges, 1 corner		0/1 Packing

Note: Ta=ambient temperature Tp=Panel temperature

※ The profile of high temperature/humidity storage and High Temperature/humidity operation (Pure water of over 10MΩ·cm shall be used.)

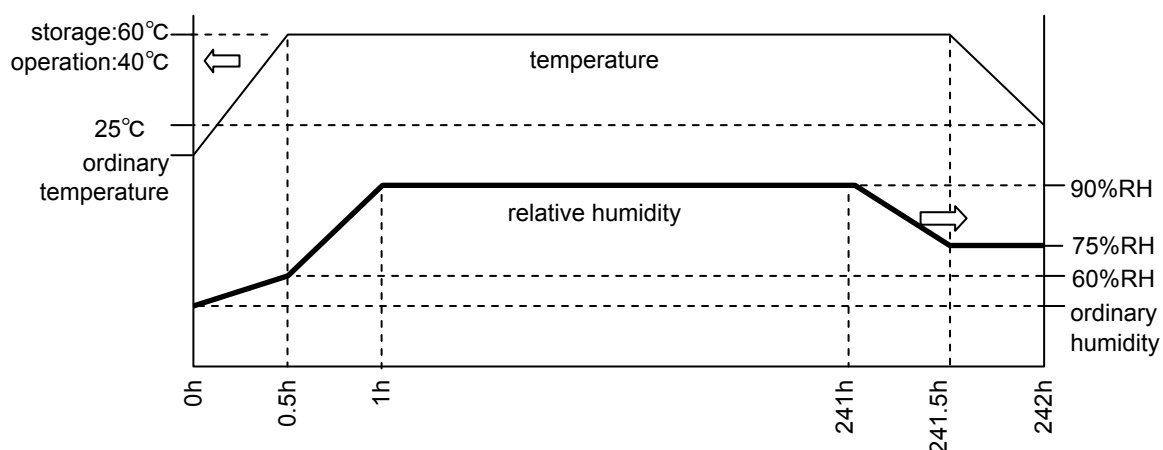
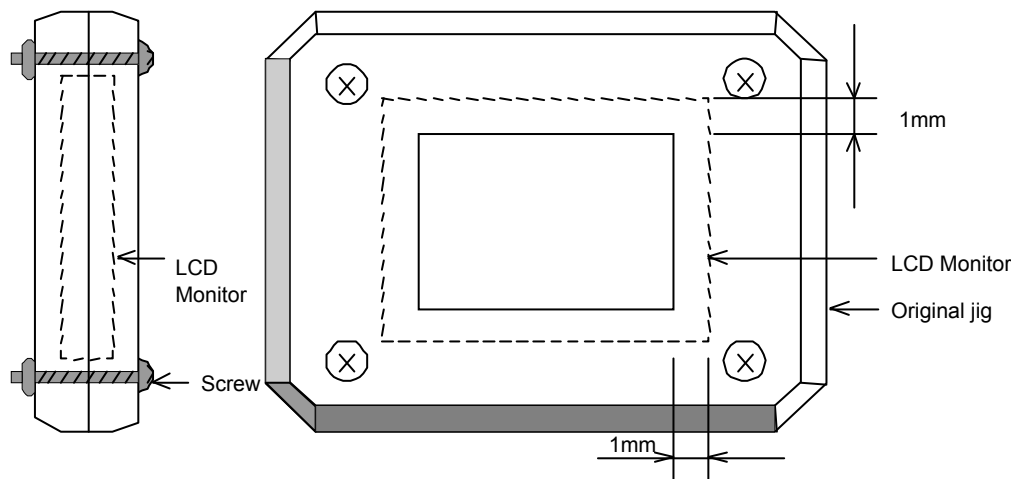


Table2.Reliability Criteria

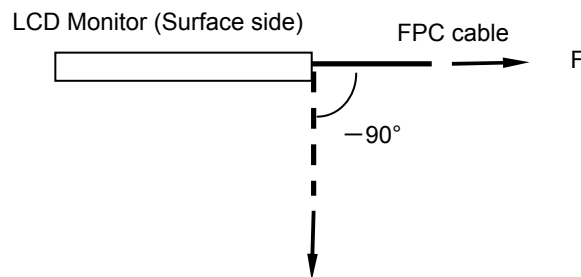
Measure the parameters after leaving the monitor at the ordinary temperature for 24 hours or more after the test completion.

item	Standard	Remarks
Display quality	No visible abnormality shall be seen.	As criteria of "11 Criteria of Judgment".
Contrast ratio	40 or more	Backlight ON

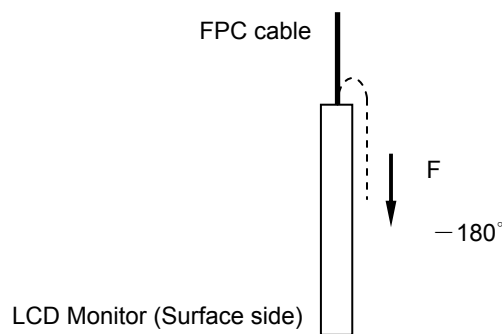
ORTUS TECHNOLOGY Original Jig



Tension Test Method for FPC cable

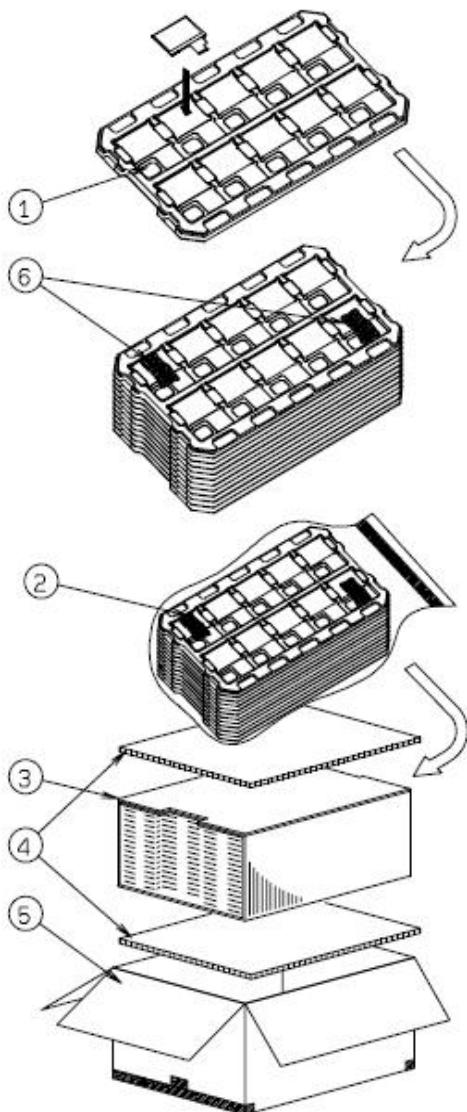


Bend Test Method for FPC cable

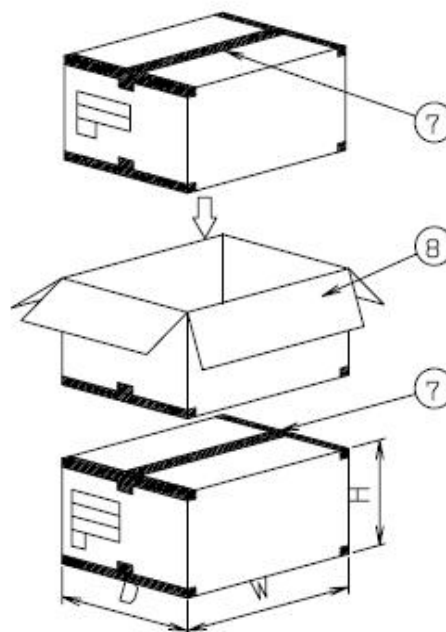


13. Packing Specifications

Packing specification
(S=FREE)



- Step 1. Each product is to be placed in one of the cut-outs of the tray with the display surface facing upward.(10products per tray)
- Step 2. Each tray needs to be same orientation respect to the tray below or above it and the trays be in a stack of 10.
One empty tray is to be put on the top of stack of 10 trays.
- Step 3. 2 packs of moisture absorbers are to be placed on the top tray as shown in the drawing.
Put piled trays into a sealing bag.
Vacuum and seal the sealing bag with the vacuum sealing machine.
- Step 4. The stack of trays in the plastic back is to be inserted into a inner carton.
- Step 5. A corrugated board is to be placed on the top and on the bottom of the inner carton.
The two corrugated boards and the inner carton is to be inserted into an outer carton.
- Step 6. The outer carton needs to sealed with packing tape as shown in the drawing.
The model number, quantity of products, and shipping date are to be printed on the outer carton.
If necessary, shipping labels or impression markings are to be put on the outer carton.
- Step 7. The outer carton is to be inserted into a extra outer carton with same direction.
The extra outer carton needs to sealed with packing tape as shown in the drawing.
- Step 8. The model number, quantity of products, and shipping date are to be printed on the extra outer carton.
If necessary, shipping labels or impression markings are to be put on the extra outer carton.



Remark: The return of packing materials is not required.

Packing item name		Specs., Material
①	Tray	PP Conductive
②	Sealing bag	
③	Inner carton	Corrugated cardboard
④	Inner board	Corrugated cardboard
⑤	Outer carton	Corrugated cardboard
⑥	Drier	Moisture absorber
⑦	Packing tape	
⑧	Extra outer carton	Corrugated cardboard

Dimension of extra outer carton	
D : Approx.	(338mm)
W : Approx.	(549mm)
H : Approx.	(198mm)
Quantity of products packed in one carton:	10pcs×10=100pcs
Gross weight : Approx.	6.8kg

14. Handling Instruction

14.1 Cautions for Handling LCD panels

**Caution**

- (1) Do not make an impact on the LCD panel glass because it may break and you may get injured from it.
- (2) If the glass breaks, do not touch it with bare hands.
(Fragment of broken glass may stick you or you cut yourself on it.)
- (3) If you get injured, receive adequate first aid and consult a medial doctor.
- (4) Do not let liquid crystal get into your mouth.
(If the LCD panel glass breaks, try not let liquid crystal get into your mouth even toxic property of liquid crystal has not been confirmed.)
- (5) If liquid crystal adheres, rinse it out thoroughly.
(If liquid crystal adheres to your cloth or skin, wipe it off with rubbing alcohol or wash it thoroughly with soap. If liquid crystal gets into eyes, rinse it with clean water for at least 15 minutes and consult an eye doctor.)
- (6) If you scrap this products, follow a disposal standard of industrial waste that is legally valid in the community, country or territory where you reside.
- (7) Do not connect or disconnect this product while its application products is powered on.
- (8) Do not attempt to disassemble or modify this product as it is precision component.
- (9) If a part of soldering part has been exposed, and avoid contact (short-circuit) with a metallic part of the case etc. about FPC of this model, please.
Please insulate it with the insulating tape etc. if necessary.
The defective operation is caused, and there is a possibility to generation of heat and the ignition.
- (10) Since excess current protection circuit is not built in this TFT module, there is the possibility that LCD module or peripheral circuit become feverish and burned in case abnormal operation is generated.
We recommend you to add excess current protection circuit to power supply.

**Caution**

This mark is used to indicate a precaution or an instruction which, if not correctly observed, may result in bodily injury, or material damages alone.

14.2 Precautions for Handling

- 1) Wear finger tips at incoming inspection and for handling the TFT monitors to keep display quality and keep the working area clean.
Do not touch the surface of the monitor as it is easily scratched.
- 2) Wear grounded wrist-straps and use electrostatic neutralization blowers to prevent static charge and discharge when handling the TFT monitors as the LED in this TFT monitors is damageable to electrostatic discharge,
Properly set up equipment, jigs and machines, and keep working area clean and tidy for handling the TFT monitors.
- 3) Avoid strong mechanical shock including knocking, hitting or dropping to the TFT monitors for protecting their glass parts. Do not use the TFT monitors that have been experienced dropping or strong mechanical shock.
- 4) Do not use or storage the TFT monitors at high temperature and high humidity environment. Particularly, never use or storage the TFT monitors at a location where condensation builds up.
- 5) Avoid using and storing TFT monitors at a location where they are exposed to direct sunlight or ultraviolet rays to prevent the LCD panels from deterioration by ultraviolet rays.
- 6) Do not stain or damage the contacts of the FPC cable .
Otherwise, it may cause poor contact or deteriorate reliability of the FPC cable.
- 7) Do not bend or pull the FPC cable or carry the TFT monitor by holding the FPC cable.
- 8) Peel off the protective film on the TFT monitors during mounting process.
Refer to the section 14.5 on how to peel off the protective film.
We are not responsible for electrostatic discharge failures or other defects occur when peeling off the protective film.

14.3 Precautions for Operation

- 1) Since this TFT monitors are not equipped with light shielding for the driver IC, do not expose the driver IC to strong lights during operation as it may cause functional failures.
- 2) In case of powering up or powering off this LCD module, be sure to comply the sequence as instructed in this specification.
- 3) Optimize Vcom/C within recommended operating conditions.
* When Vcom/c is not an optimal value, flicker and image sticking will be occurred.
- 4) Do not plug in or out the FPC cable while power supply is switch on.
Plug the FPC cable in and out while power supply is switched off.
- 5) Do not operate the TFT monitors in the strong magnetic field. It may break the TFT monitors.
- 6) Do not display a fixed image on the screen for a long time.
Use a screen-saver or other measures to avoid a fixed image displayed on the screen for a long time. Otherwise, it may cause burn-in image on the screen due the characteristics of liquid crystal.

14.4 Storage Condition for Shipping Cartons

Storage environment

- Temperature 0 to 40° C
- Humidity 60%RH or less
No-condensing occurs under low temperature with high humidity condition.
- Atmosphere No poisonous gas that can erode electronic components and/or wiring materials should be detected.
- Time period 3 months
- Unpacking
To protect the TFT monitors from static damage during unpacking, keep room humidity more than 50%RH and implement effective countermeasures against static electricity such as establishing a ground (an earth) before unpacking.
- Maximum piling up 7 cartons

14.5 Precautions for Peeling off the Protective film

The followings work environment and work method are recommended to prevent the TFT monitors from static damage or adhesion of dust when peeling off the protective films.

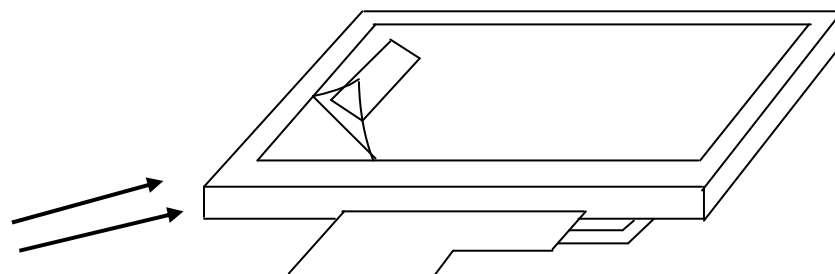
A) Work Environment

- a) Humidity: 50 to 70 %RH, Temperature 15 to 27° C
- b) Operators should wear conductive shoes, conductive clothes, conductive finger tips and grounded wrist-straps. Anti-static treatment should be implemented to work area's floor.
- c) Use a room shielded against outside dust with sticky floor mat laid at the entrance to eliminate dirt.

B) Work Method

The following procedures should taken to prevent the driver ICs from charging and discharging.

- a) Use an electrostatic neutralization blower to blow air on the TFT monitors to its lower left when the FPC cable is facing to the downside.
Optimize direction of the blowing air and the distance between the TFT monitors and the electrostatic neutralization blower.
- b) Put an adhesive tape (Scotch tape, etc) at the lower left corner area of the protective film to prevent scratch on surface of TFT monitors.
- c) Peel off the adhesive tape slowly (spending more than 2 secs to complete) by pulling it to opposite direction.



Direction of blowing air
(Optimize air direction and the distance)

APPENDIX

Reference Method for Measuring Optical Characteristics and Performance

1. Measurement Condition (Backlight ON)

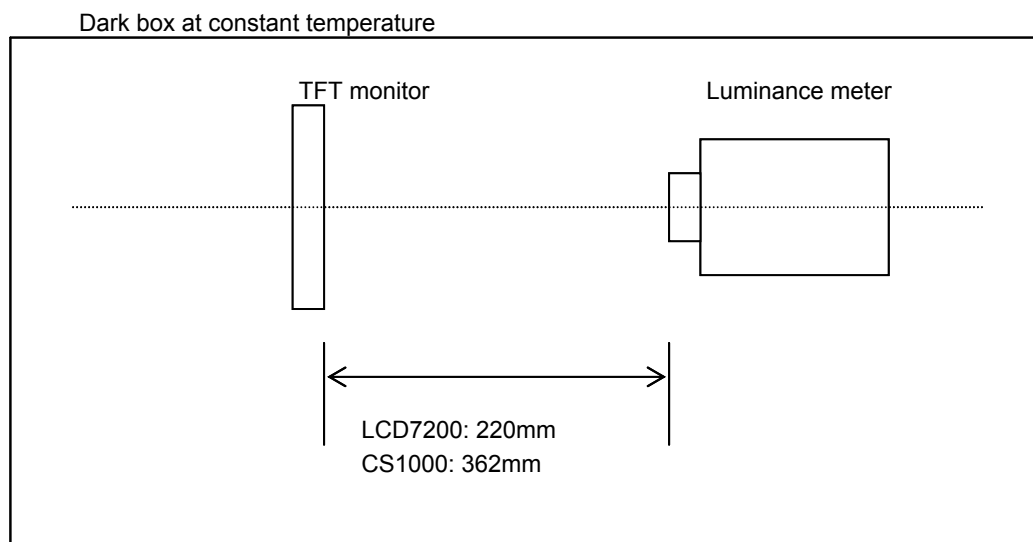
Measuring instruments: CS1000 (KONICA MINOLTA) , LCD7200(OTSUKA ELECTRONICS) ,EZcontrast160D (ELDIM)

Driving condition: Refer to the section "Optical Characteristics"

Measured temperature: 25° C unless specified

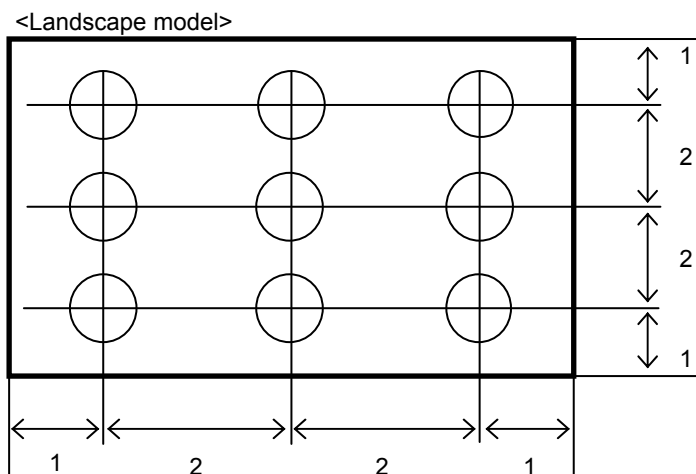
Measurement system: See the chart below. The luminance meter is placed on the normal line of measurement system.

Measurement point: At the center of the screen unless otherwise specified



Measurement is made after 30 minutes of lighting of the backlight.

Measurement point: At the center point of the screen
Brightness distribution: 9 points shown in the following drawing.



Dimensional ratio of active area

Backlight IL=7.1mA

Measurement Condition (Contrast ratio Backlight OFF only)

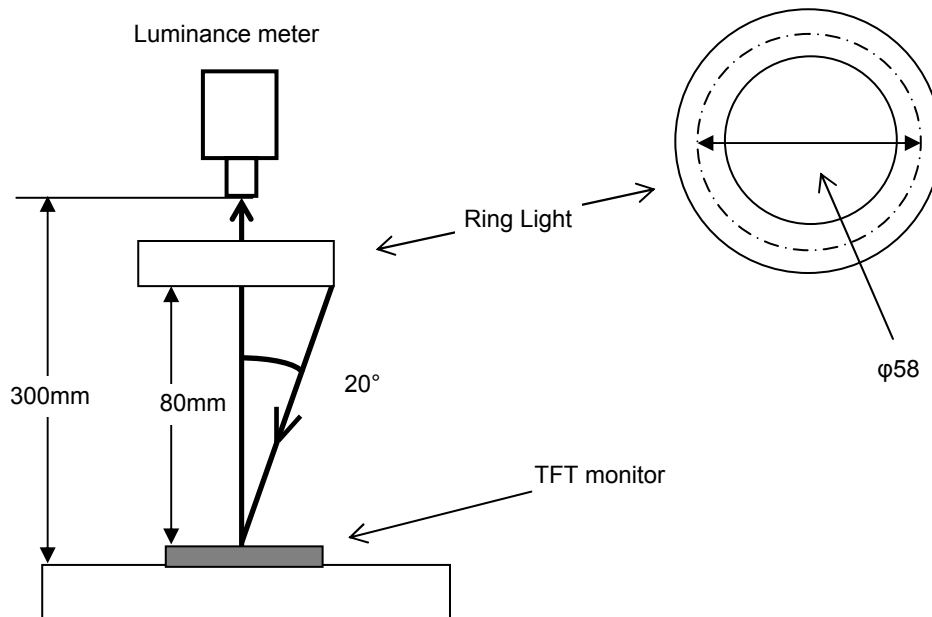
Measuring instruments: LCD7200(OTSUKA ELECTRONICS),Ring Light(40,000 lx, ϕ 58)

Driving condition: Refer to the section "Optical Characteristics"

Measured temperature: 25° C unless specified

Measurement system: See the chart below.

Measurement point: At the center of the screen.



2. Test Method

Notice	Item	Test method	Measuring instrument	Remark
1	Response time	<p>Measure output signal waveform by the luminance meter when raster of window pattern is changed from white to black and from black to white.</p>	LCD7200	<p>Black display [Data]=00h White display [Data]=FFh TON Rise time TOFF Fall time</p>
2	Contrast ratio	<p>Measure maximum luminance Y1([Data]=FFh) and minimum luminance Y2([Data]=00h) at the center of the screen by displaying raster or window pattern. Then calculate the ratio between these two values.</p> <p>Contrast ratio = Y1/Y2</p> <p>Diameter of measuring point: 8mmφ</p>	CS1000 LCD7200	Backlight ON Backlight OFF
3	Viewing angle Horizontalθ Verticalφ	Move the luminance meter from right to left and up and down and determine the angles where contrast ratio is 10.	EZcontrast160D	
4	White chromatically	<p>Measure chromaticity coordinates x and y of CIE1931 colorimetric system at [Data] = FFh</p> <p>Color matching faction: 2°view</p>	CS1000	
5	Burn-in	Visually check burn-in image on the screen after 2 hours of "window display" ([Data]=FFh/00h).		At optimized VCOMDC
6	Center brightness	Measure the brightness at the center of the screen.	CS1000	
7	Brightness distribution	<p>(Brightness distribution) = 100 x B/A %</p> <p>A : max. brightness of the 9 points</p> <p>B : min. brightness of the 9 points</p>	CS1000	

Our company network supports you worldwide with offices in Germany, Austria, Switzerland, the UK and the USA. For more information please contact:

Headquarters

Germany



FORTEC Elektronik AG
Lechwiesenstr. 9
86899 Landsberg am Lech

Phone: +49 8191 91172-0
E-Mail: sales@forteca.de
Internet: www.forteca.de

Fortec Group Members

Austria



FORTEC Elektronik AG
Office Vienna

Nuschinggasse 12
1230 Wien

Phone: +43 1 8673492-0
E-Mail: office@fortec.at
Internet: www.fortec.at

Germany



Distec GmbH

Augsburger Str. 2b
82110 Germering

Phone: +49 89 894363-0
E-Mail: info@distec.de
Internet: www.distec.de

Switzerland



ALTRAC AG

Bahnhofstraße 3
5436 Würenlos

Phone: +41 44 7446111
E-Mail: info@altrac.ch
Internet: www.altrac.ch

United Kingdom



Display Technology Ltd.

Osprey House, 1 Osprey Court
Hichingbrooke Business Park
Huntingdon, Cambridgeshire, PE29 6FN

Phone: +44 1480 411600
E-Mail: info@displaytechnology.co.uk
Internet: www.displaytechnology.co.uk

USA



Apollo Display Technologies, Corp.

87 Raynor Avenue,
Unit 1 Ronkonkoma,
NY 11779

Phone: +1 631 5804360
E-Mail: info@apolloDisplays.com
Internet: www.apolloDisplays.com