



OUR GLOBAL  
COMPETENCE  
CENTRES

 APOLLO DISPLAY  
TECHNOLOGIES



 DISTEC



 DISPLAY  
TECHNOLOGY



# Datasheet

## AUO

### G150XTN05.1

UP-02-112

The information contained in this document has been carefully researched and is, to the best of our knowledge, accurate. However, we assume no liability for any product failures or damages, immediate or consequential, resulting from the use of the information provided herein. Our products are not intended for use in systems in which failures of product could result in personal injury. All trademarks mentioned herein are property of their respective owners. All specifications are subject to change without notice.

---

(V) Preliminary Specifications  
 () Final Specifications

<b>Module</b>	15 Inch Color TFT-LCD
<b>Model Name</b>	G150XTN05.1

<b>Customer</b>	<b>Date</b>
<b>Checked &amp; Approved by</b>	
<hr style="width: 80%; margin: 0 auto;"/>	
<p>Note: This Specification is subject to change without notice.</p>	

<b>Approved by</b>	<b>Date</b>
<u>Vito Huang</u>	<u>2014/4/9</u>
<b>Prepared by</b>	
<u>Sandy Su</u>	<u>2014/4/9</u>
<p>General Display Business Division /          AU Optronics corporation</p>	

**Contents**

<b>1. Operating Precautions .....</b>	<b>5</b>
<b>2. General Description .....</b>	<b>6</b>
2.1 Display Characteristics .....	6
2.2 Optical Characteristics .....	7
<b>3. Functional Block Diagram .....</b>	<b>10</b>
4.1 Absolute Ratings of TFT LCD Module.....	11
4.2 Absolute Ratings of Environment.....	11
<b>5. Electrical Characteristics.....</b>	<b>12</b>
5.1 TFT LCD Module .....	12
5.1.1 Power Specification .....	12
5.1.2 Signal Electrical Characteristics .....	13
5.2 Backlight Unit.....	14
5.2.1 Parameter guideline for LED .....	14
<b>6. Signal Characteristic.....</b>	<b>15</b>
6.1 Pixel Format Image.....	15
6.2 Scanning Direction.....	15
6.3 Signal Description .....	16
6.4 The Input Data Format.....	17
6.4.1 SEL68.....	17
6.5 Interface Timing .....	18
6.5.1 Timing Characteristics.....	18
6.5.2 Input Timing Diagram .....	18
6.6 Power ON/OFF Sequence .....	19
<b>7. Connector &amp; Pin Assignment .....</b>	<b>20</b>
7.1 TFT LCD Module: LVDS Connector.....	20
7.1.1 Connector Illustration.....	21
7.2 Backlight Unit: LED Driver Board Connector .....	22
7.3 LED Driver Board Connector Pin Assignment.....	22
7.4 Backlight Unit: LED Connector .....	23
7.5 LED Connector Pin Assignment.....	23
<b>8. Reliability Test Criteria.....</b>	<b>24</b>
<b>9. Mechanical Characteristics .....</b>	<b>25</b>
9.1 LCM Outline Dimension (Front View).....	25
9.2 LCM Outline Dimension (Rear View) .....	25
<b>10. Label and Packaging.....</b>	<b>26</b>
10.1 Shipping Label (on the rear side of TFT-LCD display) .....	26
10.2 Carton Package .....	26
<b>11 Safety.....</b>	<b>27</b>



11.1 Sharp Edge Requirements.....	27
11.2 Materials.....	27
11.2.1 Toxicity.....	27
11.2.2 Flammability .....	27
11.3 Capacitors .....	27
11.4 National Test Lab Requirement.....	27



# Record of Revision

Version and Date	Page	Old description	New Description																																																																																																																																																											
0.0 2013/7/9	All	First Edition																																																																																																																																																												
0.1 2014/4/8	P.5	Typ. Power Consumption: 37 Weight: TBD Physical Size: 326.5(H)x 253.5(V) x 14.3(D)	Typ. Power Consumption: 28.3 Weight: 1150 (Max.) Physical Size: 326.5(H)x 253.5(V) x 15.53(D)																																																																																																																																																											
	P.9	TBD	Add Functional Block Diagram																																																																																																																																																											
	P.11	--	Add Inrush Current Max. 3A																																																																																																																																																											
	P.13	<table border="1"> <thead> <tr> <th>Symbol<sup>o</sup></th> <th>Parameter<sup>o</sup></th> <th>Min<sup>o</sup></th> <th>Typ<sup>o</sup></th> <th>Max<sup>o</sup></th> <th>Units</th> <th>Remark<sup>o</sup></th> </tr> </thead> <tbody> <tr> <td>V<sub>CC</sub><sup>o</sup></td> <td>Input Voltage<sup>o</sup></td> <td>10.8<sup>o</sup></td> <td>12<sup>o</sup></td> <td>13.2<sup>o</sup></td> <td>Volt<sup>o</sup></td> <td></td> </tr> <tr> <td>I<sub>CC</sub><sup>o</sup></td> <td>Input Current<sup>o</sup></td> <td>--<sup>o</sup></td> <td>2.86<sup>o</sup></td> <td>--<sup>o</sup></td> <td>A<sup>o</sup></td> <td>100% Dimming<sup>o</sup></td> </tr> <tr> <td>P<sub>LED</sub><sup>o</sup></td> <td>Power Consumption<sup>o</sup></td> <td>--<sup>o</sup></td> <td>34.4<sup>o</sup></td> <td>--<sup>o</sup></td> <td>Watt<sup>o</sup></td> <td>100% Dimming<sup>o</sup></td> </tr> <tr> <td>Inrush<sup>o</sup></td> <td>Inrush Current<sup>o</sup></td> <td>--<sup>o</sup></td> <td>--<sup>o</sup></td> <td>--<sup>o</sup></td> <td>A<sup>o</sup></td> <td></td> </tr> <tr> <td>V<sub>LED on/off</sub><sup>o</sup></td> <td>On Control Voltage<sup>o</sup></td> <td>TBD<sup>o</sup></td> <td>--<sup>o</sup></td> <td>TBD<sup>o</sup></td> <td>Volt<sup>o</sup></td> <td></td> </tr> <tr> <td rowspan="4">F<sub>WM</sub><sup>o</sup></td> <td>Off Control Voltage<sup>o</sup></td> <td>--<sup>o</sup></td> <td>--<sup>o</sup></td> <td>TBD<sup>o</sup></td> <td>Volt<sup>o</sup></td> <td></td> </tr> <tr> <td>PWM Dimming Frequency<sup>o</sup></td> <td>140<sup>o</sup></td> <td>180<sup>o</sup></td> <td>1K<sup>o</sup></td> <td>Hz<sup>o</sup></td> <td></td> </tr> <tr> <td>High Voltage<sup>o</sup></td> <td>TBD<sup>o</sup></td> <td>--<sup>o</sup></td> <td>TBD<sup>o</sup></td> <td>Volt<sup>o</sup></td> <td></td> </tr> <tr> <td>Low Voltage<sup>o</sup></td> <td>--<sup>o</sup></td> <td>--<sup>o</sup></td> <td>TBD<sup>o</sup></td> <td>Volt<sup>o</sup></td> <td></td> </tr> <tr> <td>I<sub>s</sub><sup>o</sup></td> <td>LED Forward Current<sup>o</sup></td> <td>--<sup>o</sup></td> <td>130<sup>o</sup></td> <td>135<sup>o</sup></td> <td>mA<sup>o</sup></td> <td>Ta = 25°C<sup>o</sup></td> </tr> </tbody> </table>	Symbol <sup>o</sup>	Parameter <sup>o</sup>	Min <sup>o</sup>	Typ <sup>o</sup>	Max <sup>o</sup>	Units	Remark <sup>o</sup>	V <sub>CC</sub> <sup>o</sup>	Input Voltage <sup>o</sup>	10.8 <sup>o</sup>	12 <sup>o</sup>	13.2 <sup>o</sup>	Volt <sup>o</sup>		I <sub>CC</sub> <sup>o</sup>	Input Current <sup>o</sup>	-- <sup>o</sup>	2.86 <sup>o</sup>	-- <sup>o</sup>	A <sup>o</sup>	100% Dimming <sup>o</sup>	P <sub>LED</sub> <sup>o</sup>	Power Consumption <sup>o</sup>	-- <sup>o</sup>	34.4 <sup>o</sup>	-- <sup>o</sup>	Watt <sup>o</sup>	100% Dimming <sup>o</sup>	Inrush <sup>o</sup>	Inrush Current <sup>o</sup>	-- <sup>o</sup>	-- <sup>o</sup>	-- <sup>o</sup>	A <sup>o</sup>		V <sub>LED on/off</sub> <sup>o</sup>	On Control Voltage <sup>o</sup>	TBD <sup>o</sup>	-- <sup>o</sup>	TBD <sup>o</sup>	Volt <sup>o</sup>		F <sub>WM</sub> <sup>o</sup>	Off Control Voltage <sup>o</sup>	-- <sup>o</sup>	-- <sup>o</sup>	TBD <sup>o</sup>	Volt <sup>o</sup>		PWM Dimming Frequency <sup>o</sup>	140 <sup>o</sup>	180 <sup>o</sup>	1K <sup>o</sup>	Hz <sup>o</sup>		High Voltage <sup>o</sup>	TBD <sup>o</sup>	-- <sup>o</sup>	TBD <sup>o</sup>	Volt <sup>o</sup>		Low Voltage <sup>o</sup>	-- <sup>o</sup>	-- <sup>o</sup>	TBD <sup>o</sup>	Volt <sup>o</sup>		I <sub>s</sub> <sup>o</sup>	LED Forward Current <sup>o</sup>	-- <sup>o</sup>	130 <sup>o</sup>	135 <sup>o</sup>	mA <sup>o</sup>	Ta = 25°C <sup>o</sup>	<table border="1"> <thead> <tr> <th>Symbol<sup>o</sup></th> <th>Parameter<sup>o</sup></th> <th>Min<sup>o</sup></th> <th>Typ<sup>o</sup></th> <th>Max<sup>o</sup></th> <th>Units</th> <th>Remark<sup>o</sup></th> </tr> </thead> <tbody> <tr> <td>V<sub>CC</sub><sup>o</sup></td> <td>Input Voltage<sup>o</sup></td> <td>10.8<sup>o</sup></td> <td>12<sup>o</sup></td> <td>13.2<sup>o</sup></td> <td>Volt<sup>o</sup></td> <td></td> </tr> <tr> <td>I<sub>CC</sub><sup>o</sup></td> <td>Input Current<sup>o</sup></td> <td>--<sup>o</sup></td> <td>2.2<sup>o</sup></td> <td>--<sup>o</sup></td> <td>A<sup>o</sup></td> <td>100% Dimming<sup>o</sup></td> </tr> <tr> <td>P<sub>LED</sub><sup>o</sup></td> <td>Power Consumption<sup>o</sup></td> <td>--<sup>o</sup></td> <td>26.4<sup>o</sup></td> <td>--<sup>o</sup></td> <td>Watt<sup>o</sup></td> <td>100% Dimming<sup>o</sup></td> </tr> <tr> <td>Inrush<sup>o</sup></td> <td>Inrush Current<sup>o</sup></td> <td>--<sup>o</sup></td> <td>TBD<sup>o</sup></td> <td>--<sup>o</sup></td> <td>A<sup>o</sup></td> <td></td> </tr> <tr> <td>V<sub>LED on/off</sub><sup>o</sup></td> <td>On Control Voltage<sup>o</sup></td> <td>2<sup>o</sup></td> <td>--<sup>o</sup></td> <td>5<sup>o</sup></td> <td>Volt<sup>o</sup></td> <td></td> </tr> <tr> <td rowspan="4">F<sub>WM</sub><sup>o</sup></td> <td>Off Control Voltage<sup>o</sup></td> <td>0<sup>o</sup></td> <td>--<sup>o</sup></td> <td>0.8<sup>o</sup></td> <td>Volt<sup>o</sup></td> <td></td> </tr> <tr> <td>PWM Dimming Frequency<sup>o</sup></td> <td>90<sup>o</sup></td> <td>180<sup>o</sup></td> <td>240<sup>o</sup></td> <td>Hz<sup>o</sup></td> <td></td> </tr> <tr> <td>High Voltage<sup>o</sup></td> <td>2.0<sup>o</sup></td> <td>--<sup>o</sup></td> <td>3.3<sup>o</sup></td> <td>Volt<sup>o</sup></td> <td></td> </tr> <tr> <td>Low Voltage<sup>o</sup></td> <td>0<sup>o</sup></td> <td>--<sup>o</sup></td> <td>0.8<sup>o</sup></td> <td>Volt<sup>o</sup></td> <td></td> </tr> <tr> <td>I<sub>s</sub><sup>o</sup></td> <td>LED Forward Current<sup>o</sup></td> <td>5<sup>o</sup></td> <td>--<sup>o</sup></td> <td>100<sup>o</sup></td> <td>%<sup>o</sup></td> <td></td> </tr> <tr> <td>I<sub>s</sub><sup>o</sup></td> <td>LED Forward Current<sup>o</sup></td> <td>--<sup>o</sup></td> <td>80<sup>o</sup></td> <td>84<sup>o</sup></td> <td>mA<sup>o</sup></td> <td>Ta = 25°C (per string)</td> </tr> </tbody> </table>	Symbol <sup>o</sup>	Parameter <sup>o</sup>	Min <sup>o</sup>	Typ <sup>o</sup>	Max <sup>o</sup>	Units	Remark <sup>o</sup>	V <sub>CC</sub> <sup>o</sup>	Input Voltage <sup>o</sup>	10.8 <sup>o</sup>	12 <sup>o</sup>	13.2 <sup>o</sup>	Volt <sup>o</sup>		I <sub>CC</sub> <sup>o</sup>	Input Current <sup>o</sup>	-- <sup>o</sup>	2.2 <sup>o</sup>	-- <sup>o</sup>	A <sup>o</sup>	100% Dimming <sup>o</sup>	P <sub>LED</sub> <sup>o</sup>	Power Consumption <sup>o</sup>	-- <sup>o</sup>	26.4 <sup>o</sup>	-- <sup>o</sup>	Watt <sup>o</sup>	100% Dimming <sup>o</sup>	Inrush <sup>o</sup>	Inrush Current <sup>o</sup>	-- <sup>o</sup>	TBD <sup>o</sup>	-- <sup>o</sup>	A <sup>o</sup>		V <sub>LED on/off</sub> <sup>o</sup>	On Control Voltage <sup>o</sup>	2 <sup>o</sup>	-- <sup>o</sup>	5 <sup>o</sup>	Volt <sup>o</sup>		F <sub>WM</sub> <sup>o</sup>	Off Control Voltage <sup>o</sup>	0 <sup>o</sup>	-- <sup>o</sup>	0.8 <sup>o</sup>	Volt <sup>o</sup>		PWM Dimming Frequency <sup>o</sup>	90 <sup>o</sup>	180 <sup>o</sup>	240 <sup>o</sup>	Hz <sup>o</sup>		High Voltage <sup>o</sup>	2.0 <sup>o</sup>	-- <sup>o</sup>	3.3 <sup>o</sup>	Volt <sup>o</sup>		Low Voltage <sup>o</sup>	0 <sup>o</sup>	-- <sup>o</sup>	0.8 <sup>o</sup>	Volt <sup>o</sup>		I <sub>s</sub> <sup>o</sup>	LED Forward Current <sup>o</sup>	5 <sup>o</sup>	-- <sup>o</sup>	100 <sup>o</sup>	% <sup>o</sup>		I <sub>s</sub> <sup>o</sup>	LED Forward Current <sup>o</sup>	-- <sup>o</sup>	80 <sup>o</sup>	84 <sup>o</sup>	mA <sup>o</sup>	Ta = 25°C (per string)
		Symbol <sup>o</sup>	Parameter <sup>o</sup>	Min <sup>o</sup>	Typ <sup>o</sup>	Max <sup>o</sup>	Units	Remark <sup>o</sup>																																																																																																																																																						
		V <sub>CC</sub> <sup>o</sup>	Input Voltage <sup>o</sup>	10.8 <sup>o</sup>	12 <sup>o</sup>	13.2 <sup>o</sup>	Volt <sup>o</sup>																																																																																																																																																							
		I <sub>CC</sub> <sup>o</sup>	Input Current <sup>o</sup>	-- <sup>o</sup>	2.86 <sup>o</sup>	-- <sup>o</sup>	A <sup>o</sup>	100% Dimming <sup>o</sup>																																																																																																																																																						
		P <sub>LED</sub> <sup>o</sup>	Power Consumption <sup>o</sup>	-- <sup>o</sup>	34.4 <sup>o</sup>	-- <sup>o</sup>	Watt <sup>o</sup>	100% Dimming <sup>o</sup>																																																																																																																																																						
Inrush <sup>o</sup>		Inrush Current <sup>o</sup>	-- <sup>o</sup>	-- <sup>o</sup>	-- <sup>o</sup>	A <sup>o</sup>																																																																																																																																																								
V <sub>LED on/off</sub> <sup>o</sup>		On Control Voltage <sup>o</sup>	TBD <sup>o</sup>	-- <sup>o</sup>	TBD <sup>o</sup>	Volt <sup>o</sup>																																																																																																																																																								
F <sub>WM</sub> <sup>o</sup>	Off Control Voltage <sup>o</sup>	-- <sup>o</sup>	-- <sup>o</sup>	TBD <sup>o</sup>	Volt <sup>o</sup>																																																																																																																																																									
	PWM Dimming Frequency <sup>o</sup>	140 <sup>o</sup>	180 <sup>o</sup>	1K <sup>o</sup>	Hz <sup>o</sup>																																																																																																																																																									
	High Voltage <sup>o</sup>	TBD <sup>o</sup>	-- <sup>o</sup>	TBD <sup>o</sup>	Volt <sup>o</sup>																																																																																																																																																									
	Low Voltage <sup>o</sup>	-- <sup>o</sup>	-- <sup>o</sup>	TBD <sup>o</sup>	Volt <sup>o</sup>																																																																																																																																																									
I <sub>s</sub> <sup>o</sup>	LED Forward Current <sup>o</sup>	-- <sup>o</sup>	130 <sup>o</sup>	135 <sup>o</sup>	mA <sup>o</sup>	Ta = 25°C <sup>o</sup>																																																																																																																																																								
Symbol <sup>o</sup>	Parameter <sup>o</sup>	Min <sup>o</sup>	Typ <sup>o</sup>	Max <sup>o</sup>	Units	Remark <sup>o</sup>																																																																																																																																																								
V <sub>CC</sub> <sup>o</sup>	Input Voltage <sup>o</sup>	10.8 <sup>o</sup>	12 <sup>o</sup>	13.2 <sup>o</sup>	Volt <sup>o</sup>																																																																																																																																																									
I <sub>CC</sub> <sup>o</sup>	Input Current <sup>o</sup>	-- <sup>o</sup>	2.2 <sup>o</sup>	-- <sup>o</sup>	A <sup>o</sup>	100% Dimming <sup>o</sup>																																																																																																																																																								
P <sub>LED</sub> <sup>o</sup>	Power Consumption <sup>o</sup>	-- <sup>o</sup>	26.4 <sup>o</sup>	-- <sup>o</sup>	Watt <sup>o</sup>	100% Dimming <sup>o</sup>																																																																																																																																																								
Inrush <sup>o</sup>	Inrush Current <sup>o</sup>	-- <sup>o</sup>	TBD <sup>o</sup>	-- <sup>o</sup>	A <sup>o</sup>																																																																																																																																																									
V <sub>LED on/off</sub> <sup>o</sup>	On Control Voltage <sup>o</sup>	2 <sup>o</sup>	-- <sup>o</sup>	5 <sup>o</sup>	Volt <sup>o</sup>																																																																																																																																																									
F <sub>WM</sub> <sup>o</sup>	Off Control Voltage <sup>o</sup>	0 <sup>o</sup>	-- <sup>o</sup>	0.8 <sup>o</sup>	Volt <sup>o</sup>																																																																																																																																																									
	PWM Dimming Frequency <sup>o</sup>	90 <sup>o</sup>	180 <sup>o</sup>	240 <sup>o</sup>	Hz <sup>o</sup>																																																																																																																																																									
	High Voltage <sup>o</sup>	2.0 <sup>o</sup>	-- <sup>o</sup>	3.3 <sup>o</sup>	Volt <sup>o</sup>																																																																																																																																																									
	Low Voltage <sup>o</sup>	0 <sup>o</sup>	-- <sup>o</sup>	0.8 <sup>o</sup>	Volt <sup>o</sup>																																																																																																																																																									
I <sub>s</sub> <sup>o</sup>	LED Forward Current <sup>o</sup>	5 <sup>o</sup>	-- <sup>o</sup>	100 <sup>o</sup>	% <sup>o</sup>																																																																																																																																																									
I <sub>s</sub> <sup>o</sup>	LED Forward Current <sup>o</sup>	-- <sup>o</sup>	80 <sup>o</sup>	84 <sup>o</sup>	mA <sup>o</sup>	Ta = 25°C (per string)																																																																																																																																																								
P.22	VBLON: 2.0~5.5V-ON / 0V-OFF	VBLON: 2~5 V-ON / 0V-OFF																																																																																																																																																												
P.25	--	Modify LCM Outline Dimension Drawing																																																																																																																																																												
P.26	--	Modify Shipping Label & Carton Package																																																																																																																																																												

## 1. Operating Precautions

- 1) Since front polarizer is easily damaged, please be cautious and not to scratch it.
- 2) Be sure to turn off power supply when inserting or disconnecting from input connector.
- 3) Wipe off water drop immediately. Long contact with water may cause discoloration or spots.
- 4) When the panel surface is soiled, wipe it with absorbent cotton or soft cloth.
- 5) Since the panel is made of glass, it may be broken or cracked if dropped or bumped on hard surface.
- 6) Since CMOS LSI is used in this module, take care of static electricity and insure human earth when handling.
- 7) Do not open nor modify the module assembly.
- 8) Do not press the reflector sheet at the back of the module to any direction.
- 9) In case if a module has to be put back into the packing container slot after it was taken out from the container, do not press the center of the LED Reflector edge. Instead, press at the far ends of the LED Reflector edge softly. Otherwise the TFT Module may be damaged.
- 10) At the insertion or removal of the Signal Interface Connector, be sure not to rotate nor tilt the Interface Connector of the TFT Module.
- 11) TFT-LCD Module is not allowed to be twisted & bent even force is added on module in a very short time. Please design your display product well to avoid external force applying to module by end-user directly.
- 12) Small amount of materials without flammability grade are used in the TFT-LCD module. The TFT-LCD module should be supplied by power complied with requirements of Limited Power Source (IEC60950-1 or UL60950-1), or be applied exemption.
- 13) Severe temperature condition may result in different luminance, response time.
- 14) Continuous operating TFT-LCD Module under high temperature environment may accelerate LED light bar exhaustion and reduce luminance dramatically.
- 15) The data on this specification sheet is applicable when TFT-LCD module is placed in landscape position.
- 16) Continuous displaying fixed pattern may induce image sticking. It's recommended to use screen saver or moving content periodically if fixed pattern is displayed on the screen.

## 2. General Description

G150XTN05.1 is a Color Active Matrix Liquid Crystal Display composed of a TFT-LCD display, a driver circuit, and a backlight system. The screen format is intended to support XGA (1024(H) x 768(V)) screen and 16.2M (RGB 8-bits) or 262k colors (RGB 6-bits). All input signals are LVDS interface compatible.

G150XTN05.1 is designed for industrial display applications.

### 2.1 Display Characteristics

The following items are characteristics summary on the table under 25 °C condition:

Items	Unit	Specifications
Screen Diagonal	[inch]	15
Active Area	[mm]	304.128(H) x 228.096(V)
Pixels H x V		1024x3(RGB) x 768
Pixel Pitch	[mm]	0.297 x 0.297
Pixel Arrangement		R.G.B. Vertical Stripe
Display Mode		TN, Normally White
Nominal Input Voltage VDD	[Volt]	3.3 typ.
Typical Power Consumption	[Watt]	28.3
Weight	[Grams]	1150
Physical Size	[mm]	326.5(H)x 253.5(V) x 15.53(D)
Electrical Interface		1 channel LVDS
Surface Treatment		Anti-glare
Support Color		16.2M / 262K colors
Temperature Range Operating Storage (Non-Operating)	[°C] [°C]	-30 to +85 -30 to +85
RoHS Compliance		RoHS Compliance
Light Bar Unit		LED, Replaceable



## 2.2 Optical Characteristics

The optical characteristics are measured under stable conditions at 25°C (Room Temperature):

Item	Unit	Conditions	Min.	Typ.	Max.	Note
White Luminance	[cd/m <sup>2</sup> ]		960	1200	-	1
Uniformity	%	9 Points	75	80	-	1, 2, 3
Contrast Ratio			400	700	-	4
Cross talk	%		-	1.2	1.5	5
Response Time	[msec]	Rising	-	5.7		6
	[msec]	Falling	-	2.3		
	[msec]	Raising + Falling	-	8		
Viewing Angle	[degree]	Horizontal (Right) CR = 10 (Left)	60	70	-	7
	[degree]		60	70	-	
	[degree]	Vertical (Upper) CR = 10 (Lower)	50	60	-	
	[degree]		50	60	-	
Color / Chromaticity Coordinates (CIE 1931)		Red x	0.579	0.629	0.679	
		Red y	0.299	0.349	0.399	
		Green x	0.273	0.323	0.373	
		Green y	0.562	0.612	0.662	
		Blue x	0.104	0.154	0.204	
		Blue y	0.033	0.083	0.133	
		White x	0.263	0.313	0.363	
		White y	0.279	0.329	0.379	
Color Gamut	%		60	65	-	

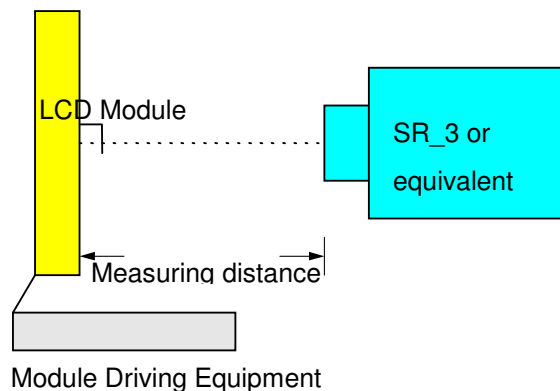
Note 1: Measurement method

Equipment Pattern Generator, Power Supply, Digital Voltmeter, Luminance meter (SR\_3 or equivalent)

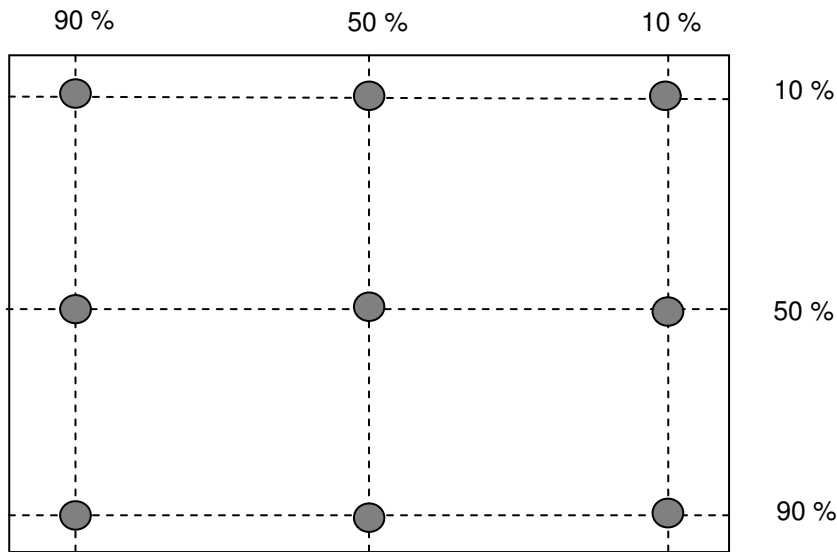
Aperture 1° with 50cm viewing distance

Test Point Center

Environment < 1 lux



Note 2: Definition of 9 points position (Display active area : 304.128(H) x 228.096(V))



Note 3: The luminance uniformity of 9 points is defined by dividing the minimum luminance values by the maximum test point luminance

$$\delta_{w9} = \frac{\text{Minimum Brightness of nine points}}{\text{Maximum Brightness of nine points}}$$

Note 4 : Definition of contrast ratio (CR):

$$\text{Contrast ratio (CR)} = \frac{\text{Brightness on the "White" state}}{\text{Brightness on the "Black" state}}$$

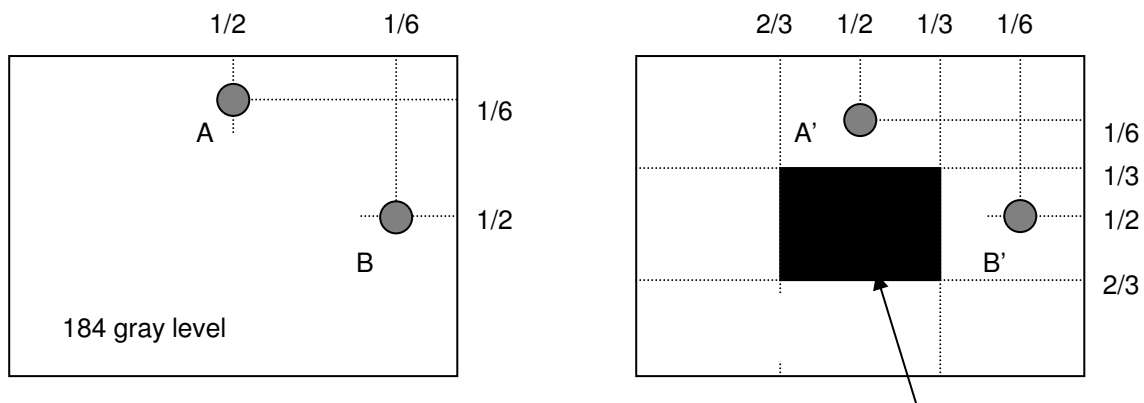
Note 5 : Definition of cross talk (CT)

$$CT = | YB - YA | / YA \times 100 (\%)$$

Where

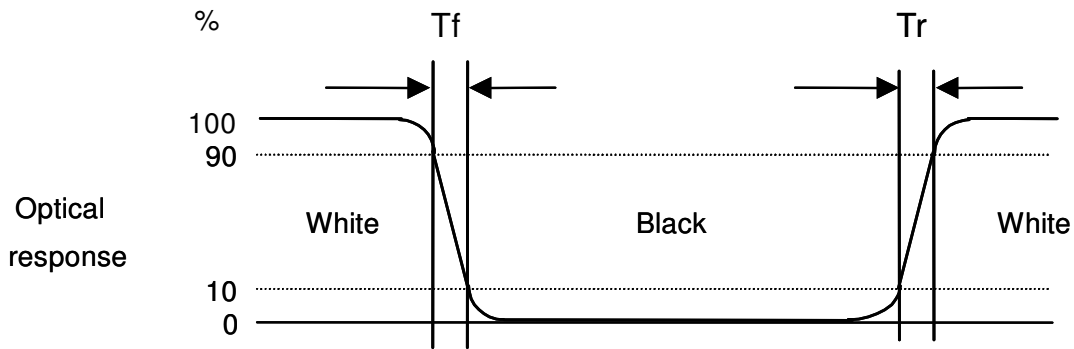
YA = Luminance of measured location without gray level 0 pattern (cd/m<sup>2</sup>)

YB = Luminance of measured location with gray level 0 pattern (cd/m<sup>2</sup>)



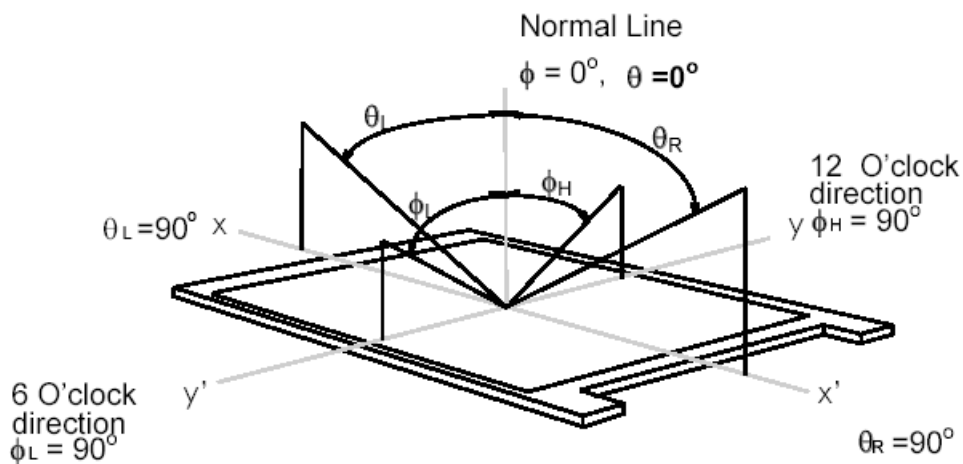
Note 6: Definition of response time:

The output signals of photo detector are measured when the input signals are changed from “White” to “Black” (falling time) and from “Black” to “White” (rising time), respectively. The response time interval is between 10% and 90% of amplitudes. Please refer to the figure as below.



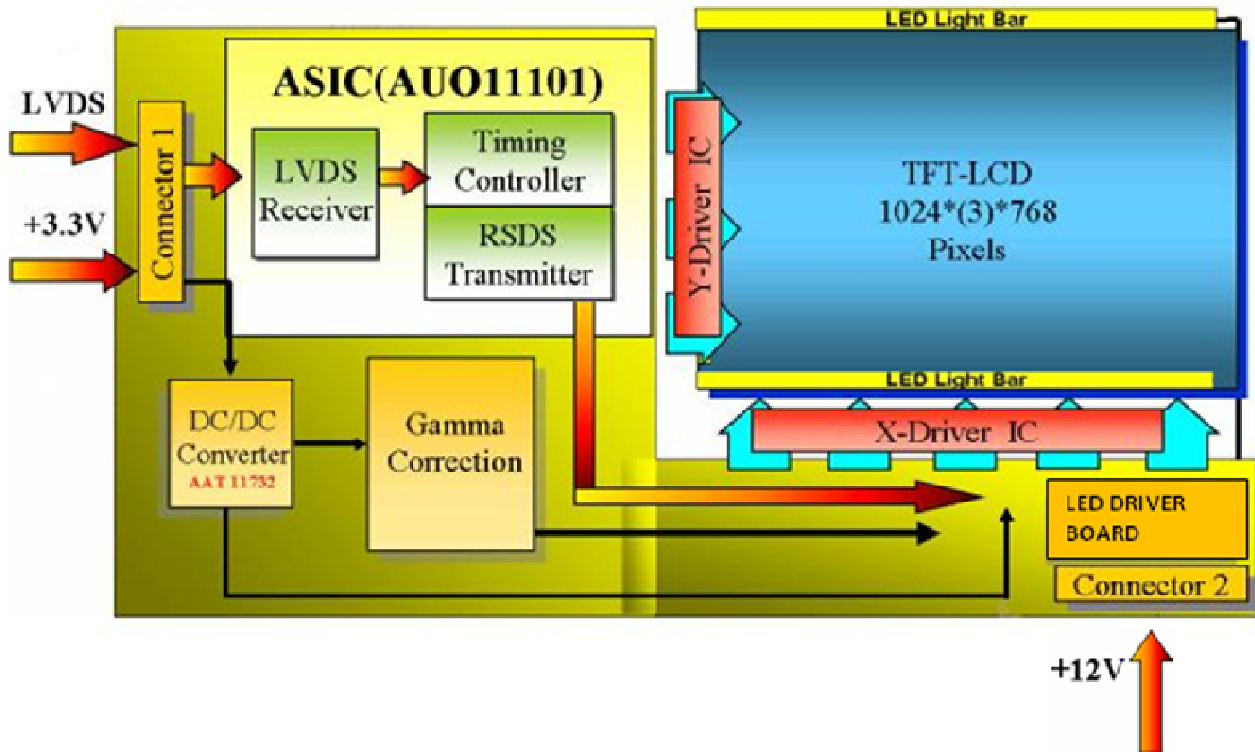
Note 7: Definition of viewing angle

Viewing angle is the measurement of contrast ratio  $\geq 10$ , at the screen center, over a  $180^\circ$  horizontal and  $180^\circ$  vertical range (off-normal viewing angles). The  $180^\circ$  viewing angle range is broken down as below:  $90^\circ$  ( $\theta$ ) horizontal left and right, and  $90^\circ$  ( $\Phi$ ) vertical high (up) and low (down). The measurement direction is typically perpendicular to the display surface with the screen rotated to its center to develop the desired measurement viewing angle.



### 3. Functional Block Diagram

The following diagram shows the functional block of the 15 inch color TFT/LCD module:



## 4. Absolute Maximum Ratings

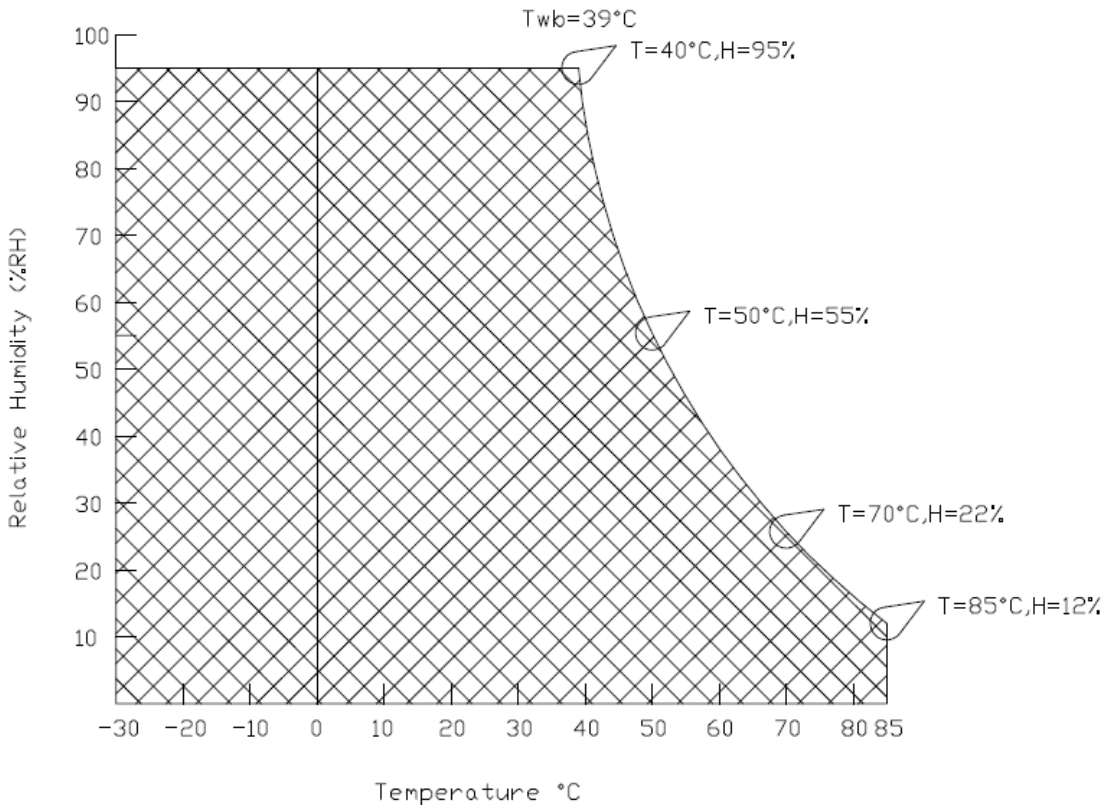
### 4.1 Absolute Ratings of TFT LCD Module

Item	Symbol	Min	Max	Unit
Logic/LCD Drive Voltage	Vin	-0.3	+3.6	[Volt]

### 4.2 Absolute Ratings of Environment

Item	Symbol	Min	Max	Unit
Operating Temperature	TOP	-30	+85	[°C]
Operation Humidity	HOP	8	90	[%RH]
Storage Temperature	TST	-30	+85	[°C]
Storage Humidity	HST	8	90	[%RH]

Note: Maximum Wet-Bulb should be 39°C and no condensation.



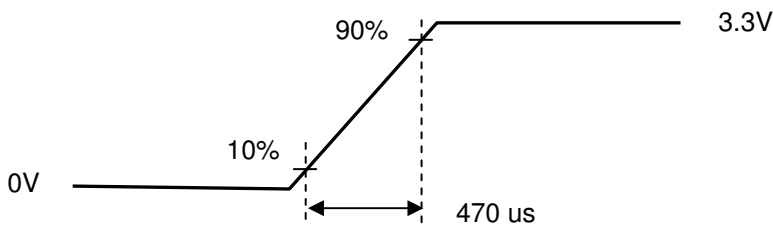
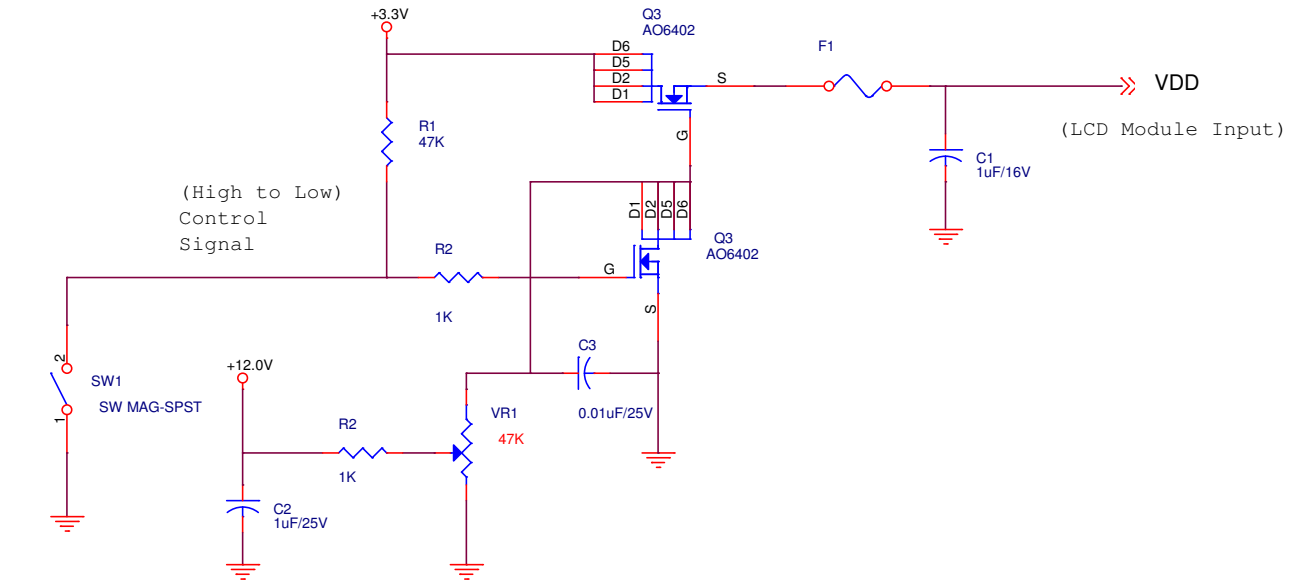
## 5. Electrical Characteristics

### 5.1 TFT LCD Module

#### 5.1.1 Power Specification

Symbol	Parameter	Min	Typ	Max	Units	Remark
VDD	Logic/LCD Drive Voltage	3.0	3.3	3.6	[Volt]	± 10%
IDD	VDD Current	-	550	660	[mA]	64 Gray Bar Pattern (VDD=3.3V, at 60Hz)
Irush	LCD Inrush Current	-	-	3	[A]	Note 1
PDD	VDD Power	-	1.9	2.2	[Watt]	64 Gray Bar Pattern (VDD=3.3V, at 60Hz)

Note 1: Measurement condition:



VDD rising time



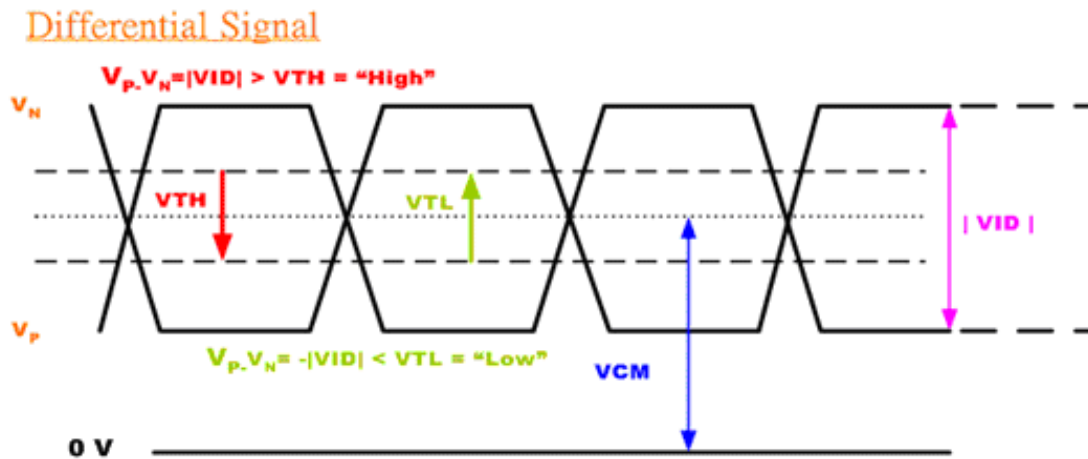
64 Gray pattern

### 5.1.2 Signal Electrical Characteristics

Input signals shall be low or Hi-Z state when VDD is off.

Symbol	Item	Min.	Typ.	Max.	Unit	Remark
VTH	Differential Input High Threshold	-	-	100	[mV]	VCM=1.2V
VTL	Differential Input Low Threshold	-100	-	-	[mV]	VCM=1.2V
VID	Input Differential Voltage	100	400	600	[mV]	
VICM	Differential Input Common Mode Voltage	1.1		1.45	[V]	VTH/VTL=±100mV

Note: LVDS Signal Waveform.



## 5.2 Backlight Unit

### 5.2.1 Parameter guideline for LED

Following characteristics are measured under stable condition using a LED driving board at 25°C (Room Temperature).

Symbol	Parameter	Min	Typ	Max	Unit	Remark
V <sub>cc</sub>	Input Voltage	10.8	12	13.2	Volt	
I <sub>vcc</sub>	Input Current	-	2.2	-	A	100% Dimming
P <sub>LED</sub>	Power Consumption	-	26.4	-	Watt	100% Dimming
Inrush	Inrush Current	-	-	16	A	
V <sub>LED on/off</sub>	On Control Voltage	2	-	5	Volt	
	Off Control Voltage	0	-	0.8	Volt	
F <sub>PWM</sub>	PWM Dimming Frequency	90	180	240	Hz	
	High Voltage	2.0	-	3.3	Volt	
	Low Voltage	0	-	0.8	Volt	
	Dimming Duty Cycle	5	-	100	%	
I <sub>F</sub>	LED Forward Current	-	80	84	mA	Ta = 25°C (per string)
Operating Life		50000	-	-	Hrs	Ta = 25°C

Note 1: Ta means ambient temperature of TFT-LCD module.

Note 2: If G150XTN05.1 module is driven at high ambient temperature & humidity condition. The operating life will be reduced.

Note 3: Operating life means brightness goes down to 50% initial brightness. Min. operating life time is estimated data.





### 6.3 Signal Description

The module using a pair of LVDS receiver SN75LVDS82(Texas Instruments) or compatible. LVDS is a differential signal technology for LCD interface and high speed data transfer device. Transmitter shall be SN75LVDS83(negative edge sampling) or compatible. The first LVDS port(RxOxxx) transmits odd pixels while the second LVDS port(RxExxx) transmits even pixels.

3804-F20N-06R (E&T) / MSB240420E(STM)		
Pin No.	Symbol	Description
1	VDD	Power Supply, 3.3V (typical)
2	VDD	Power Supply, 3.3V (typical)
3	VSS	Ground
4	REV	Reverse Scan selection *.Note1
5	Rin1-	- LVDS differential data input (R0-R5, G0)
6	Rin1+	+ LVDS differential data input (R0-R5, G0)
7	VSS	Ground
8	Rin2-	- LVDS differential data input (G1-G5, B0-B1)
9	Rin2+	+ LVDS differential data input (G1-G5, B0-B1)
10	VSS	Ground
11	Rin3-	- LVDS differential data input (B2-B5, HS, VS, DE)
12	Rin3+	+ LVDS differential data input (B2-B5, HS, VS, DE)
13	VSS	Ground
14	ClkIN-	- LVDS differential clock input
15	ClkIN+	+ LVDS differential clock input
16	GND	Ground
17	Rin4-	- LVDS differential data input (R6-R7, G6-G7,B6-B7) <b>*Note2</b>
18	Rin4+	+ LVDS differential data input (R6-R7, G6-G7,B6-B7) <b>*Note2</b>
19	VSS	Ground
20	SEL68	Selection for 6 bits/8bits LVDS data input <b>*Note1,3</b>

Note 1: Input signals shall be in low status when VDD is off.

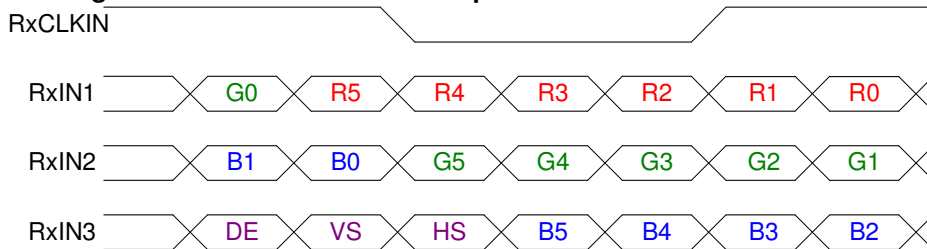
Note 2: If only the 6 bits mode is needed, pin 17 and pin 18 are suggested to be floated. (In this situation, 8 bits mode will be disable permanently)

Note 3: High stands for “3.3V”, Low stands for “GND”, NC stands for “No Connection”.

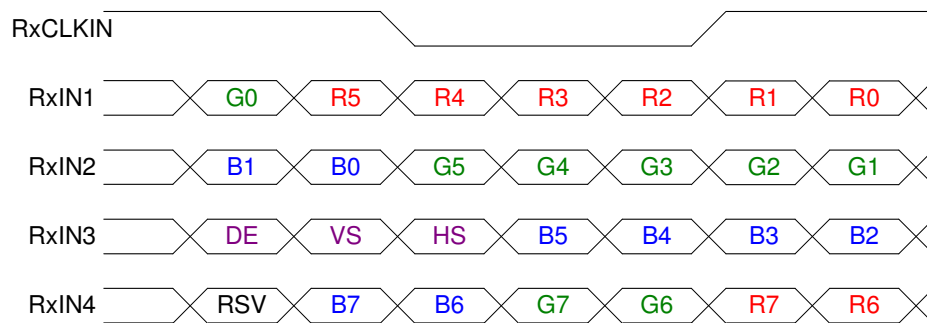
## 6.4 The Input Data Format

### 6.4.1 SEL68

**SEL68 = "High" or "NC" for 6 bits LVDS Input**



**SEL68 = "Low" for 8 bits LVDS Input**



**Note1:** Please follow PSWG.

**Note2:** R/G/B data 7:MSB, R/G/B data 0:LSB

Signal Name	Description	Remark
R7	Red Data 7	Red-pixel Data
R6	Red Data 6	
R5	Red Data 5	For 8Bits LVDS input
R4	Red Data 4	MSB: R7 ; LSB: R0
R3	Red Data 3	
R2	Red Data 2	For 6Bits LVDS input
R1	Red Data 1	MSB: R5 ; LSB: R0
R0	Red Data 0	
G7	Green Data 7	Green-pixel Data
G6	Green Data 6	
G5	Green Data 5	For 8Bits LVDS input
G4	Green Data 4	MSB: G7 ; LSB: G0
G3	Green Data 3	
G2	Green Data 2	For 6Bits LVDS input
G1	Green Data 1	MSB: G5 ; LSB: G0
G0	Green Data 0	
B7	Blue Data 7	Blue-pixel Data
B6	Blue Data 6	
B5	Blue Data 5	For 8Bits LVDS input
B4	Blue Data 4	MSB: B7 ; LSB: B0
B3	Blue Data 3	
B2	Blue Data 2	For 6Bits LVDS input
B1	Blue Data 1	MSB: B5 ; LSB: B0
B0	Blue Data 0	
RxCLKIN	LVDS Data Clock	
DE	Data Enable Signal	When the signal is high, the pixel data shall be valid to be displayed.
VS	Vertical Synchronous Signal	
HS	Horizontal Synchronous Signal	

Note: Output signals from any system shall be low or Hi-Z state when VDD is off.

## 6.5 Interface Timing

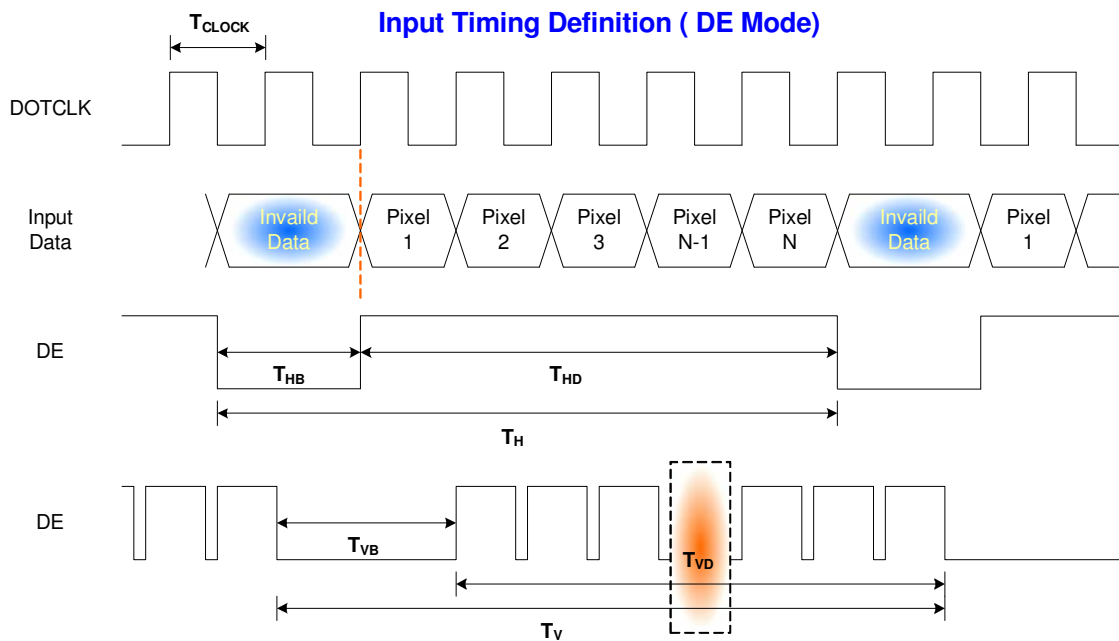
### 6.5.1 Timing Characteristics

Signal	Parameter	Symbol	Min.	Typ.	Max.	Unit	
Clock Timing	Clock frequency	$1/T_{\text{Clock}}$	50	65	81	MHz	
Vsync Timing	Vertical Section	Period	$T_V$	776	806	900	$T_{\text{Line}}$
		Active	$T_{VD}$	768	768	768	
		Blanking	$T_{VB}$	8	38	132	
Hsync Timing	Horizontal Section	Period	$T_H$	1054	1344	2048	$T_{\text{Clock}}$
		Active	$T_{HD}$	1024	1024	1024	
		Blanking	$T_{HB}$	30	320	1024	
Frame Rate		F	50	60	75	Hz	

Note: DE mode only.

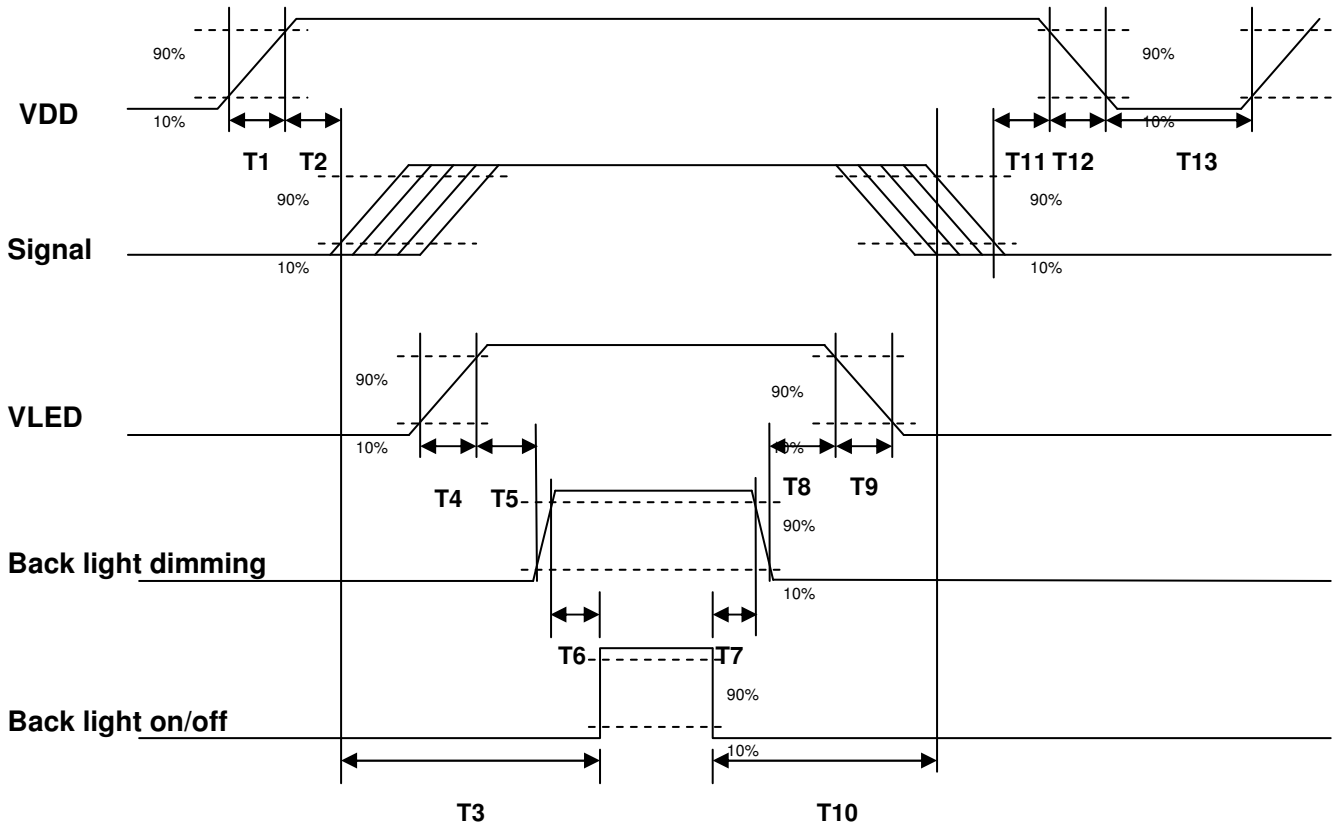
Note : Typical value refer to VESA STANDARD

### 6.5.2 Input Timing Diagram



## 6.6 Power ON/OFF Sequence

VDD power and LED on/off sequence is as below. Interface signals are also shown in the chart. Signals from any system shall be Hi-Z state or low level when VDD is off.



### Power ON/OFF sequence timing

Parameter	Value			Units
	Min.	Typ.	Max.	
T1	0.5	--	10	[ms]
T2	30	40	50	[ms]
T3	200	--	--	[ms]
T4	0.5	--	10	[ms]
T5	10	--	--	[ms]
T6	10	--	--	[ms]
T7	0	--	--	[ms]
T8	10	--	--	[ms]
T9	--	--	10	[ms]
T10	110	--	--	[ms]
T11	0	16	50	[ms]
T12	--	--	10	[ms]
T13	1000	--	--	[ms]

The above on/off sequence should be applied to avoid abnormal function in the display. Please make sure to turn off the power when you plug the cable into the input connector or pull the cable out of the connector.

## 7. Connector & Pin Assignment

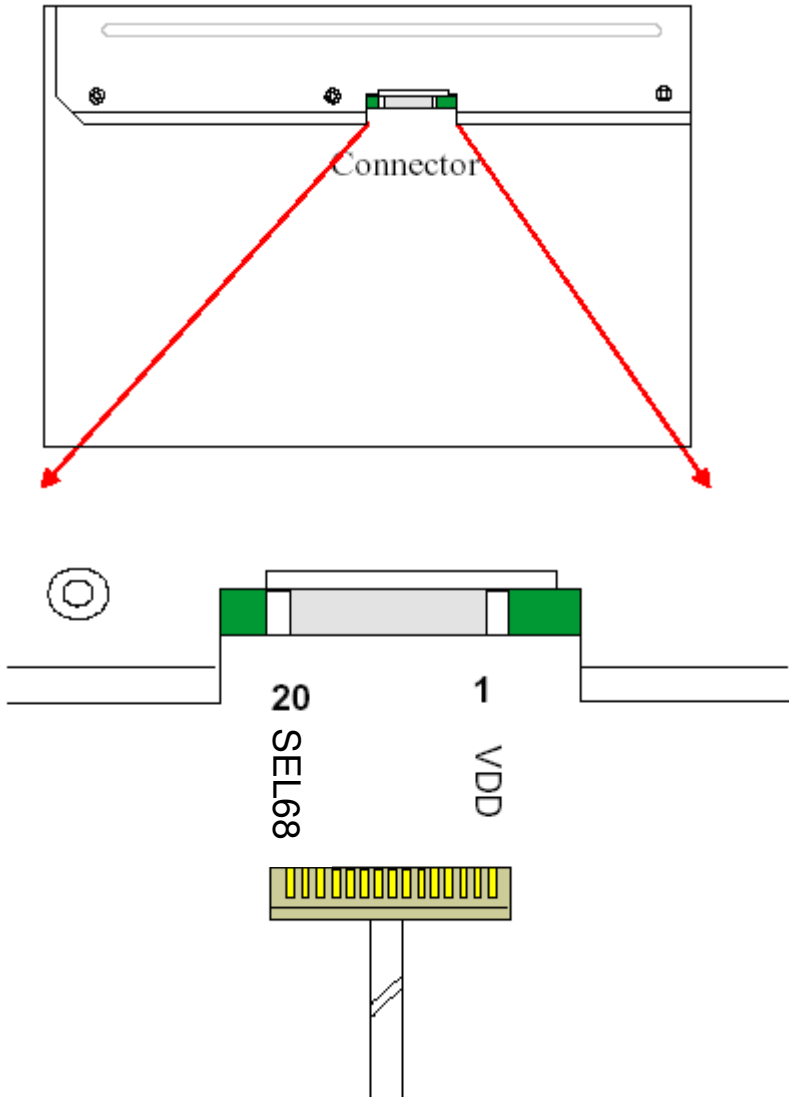
Physical interface is described as for the connector on module. These connectors are capable of accommodating the following signals and will be following components.

### 7.1 TFT LCD Module: LVDS Connector

<b>Connector Name / Designation</b>	<b>Signal Connector</b>
Manufacturer	E&T or compatible
Connector Model Number	3804-F20N-06R / MSB240420E
Adaptable Plug	HRS DF14-20S-1.25C

Pin#	Signal Name	Pin#	Signal Name
1	VDD	2	VDD
3	VSS	4	REV
5	Rin1-	6	Rin1+
7	VSS	8	Rin2-
9	Rin2+	10	VSS
11	Rin3-	12	Rin3+
13	VSS	14	ClkIN-
15	ClkIN+	16	GND
17	Rin4-	18	Rin4+
19	VSS	20	SEL68

## 7.1.1 Connector Illustration



## 7.2 Backlight Unit: LED Driver Board Connector

<b>Connector Name / Designation</b>	<b>LED Driver Board Connector</b>
Manufacturer	ENTERY or compatible
Connector Model Number	3806K-X12X-03X (TBD) or compatible
Mating Model Number	H208K-P12N-02 B (TBD) or compatible

## 7.3 LED Driver Board Connector Pin Assignment

Pin#	Symbol	Signal Name
1	VDDB	12V
2	VDDB	12V
3	VDDB	12V
4	VDDB	12V
5	BLGND	GND
6	BLGND	GND
7	BLGND	GND
8	BLGND	GND
9	NC	NC
10	DET <sup>(1)</sup>	Normal: GND ; Abnormal: Open collector
11	VBLON	2~5 V-ON / 0V-OFF
12	Dimming	PWM Dimming

Note (1) DET is detect function. When backlight is normal operating, DET is GND(0V). when backlight is abnormal, DET is Open Collector.



## 7.4 Backlight Unit: LED Connector

Connector Name / Designation	LED Connector
Manufacturer	ENTERY or compatible
Connector Model Number	3806K-X6X-03X (TBD) or compatible
Mating Model Number	H208K-P6N-02 B (TBD) or compatible

## 7.5 LED Connector Pin Assignment

Pin#	Symbol	Signal Name
1	#1 Anode	Anode of LED light bar #1
2	NC	NC
3	#1-1 Cathode	Cathode of LED light bar #1
4	#1-2 Cathode	Cathode of LED light bar #1
5	#1-3 Cathode	Cathode of LED light bar #1
6	#1-4 Cathode	Cathode of LED light bar #1

Pin#	Symbol	Signal Name
1	#2 Anode	Anode of LED light bar #2
2	NC	NC
3	#2-1 Cathode	Cathode of LED light bar #2
4	#2-2 Cathode	Cathode of LED light bar #2
5	#2-3 Cathode	Cathode of LED light bar #2
6	#2-4 Cathode	Cathode of LED light bar #2

## 8. Reliability Test Criteria

Items	Required Condition	Note
Temperature Humidity Bias	50°C/80%,300 hours	
High Temperature Operation	85°C,300 hours	
Low Temperature Operation	-30°C,300 hours	
Hot Storage	85°C,300 hours	
Cold Storage	-30°C,300 hours	
Thermal Shock Test	-20°C/30 min ,60°C/30 min ,100cycles	
Shock Test (Non-Operating)	50G,20ms,Half-sine wave,( ±X, ±Y, ±Z)	
Vibration Test (Non-Operating)	1.5G, (10~200Hz, P-P) 30 mins/axis (X, Y, Z)	
On/off test	On/10 sec, Off/10 sec, 30,000 cycles	
ESD	Contact Discharge: ± 8KV, 150pF(330Ω ) 1sec, 8 points, 25 times/ point Air Discharge: ± 15KV, 150pF(330Ω ) 1sec, 8 points, 25 times/ point	Note 1

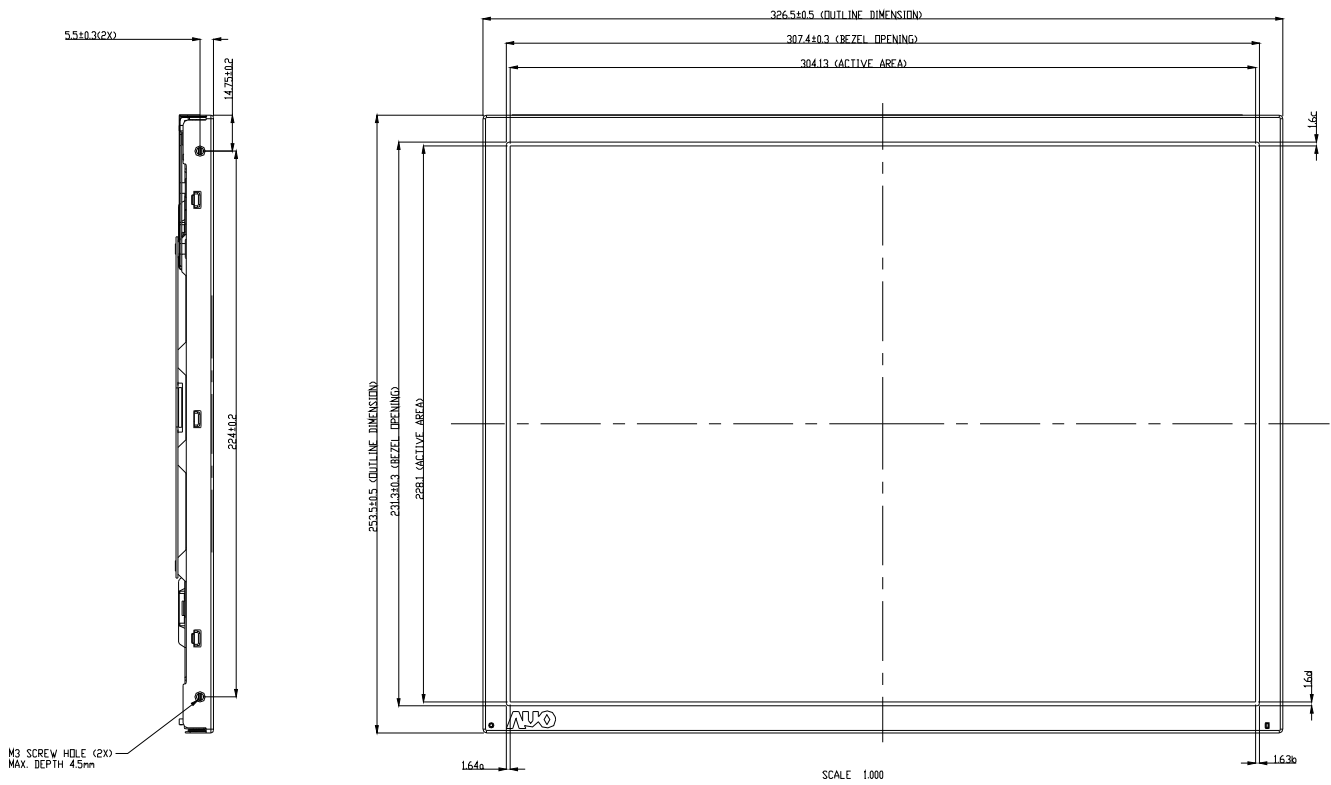
Note1: According to EN61000-4-2, ESD class B: Some performance degradation allowed. No data lost  
 . Self-recoverable. No hardware failures.

Note 2:

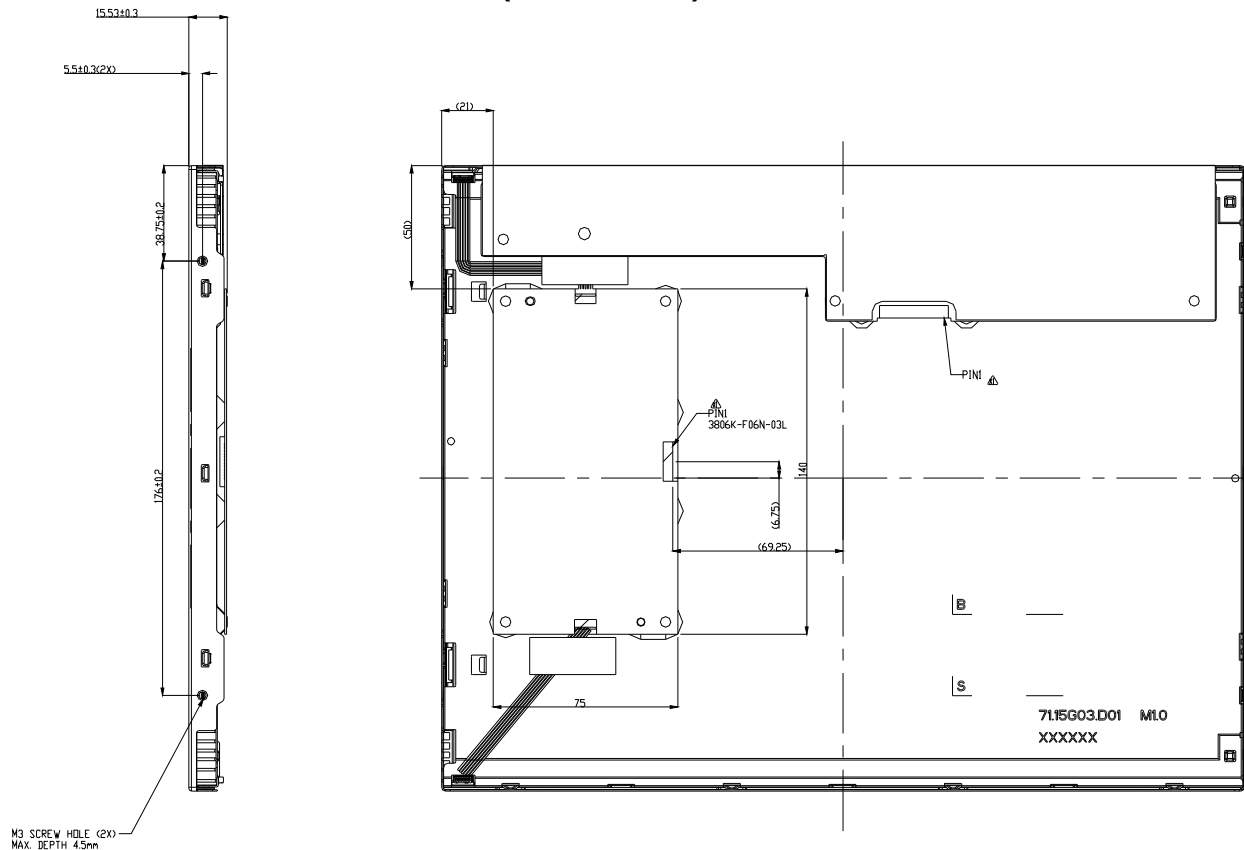
- Water condensation is not allowed for each test items.
- Each test is done by new TFT-LCD module. Don't use the same TFT-LCD module repeatedly for reliability test.
- The reliability test is performed only to examine the TFT-LCD module capability.
- To inspect TFT-LCD module after reliability test, please store it at room temperature and room humidity for 24 hours at least in advance.
- No function failure occurs.

## 9. Mechanical Characteristics

### 9.1 LCM Outline Dimension (Front View)

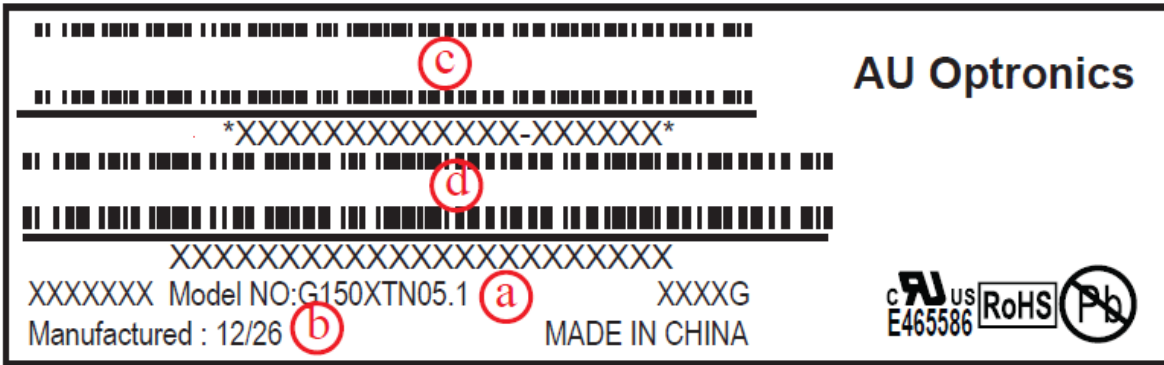


### 9.2 LCM Outline Dimension (Rear View)



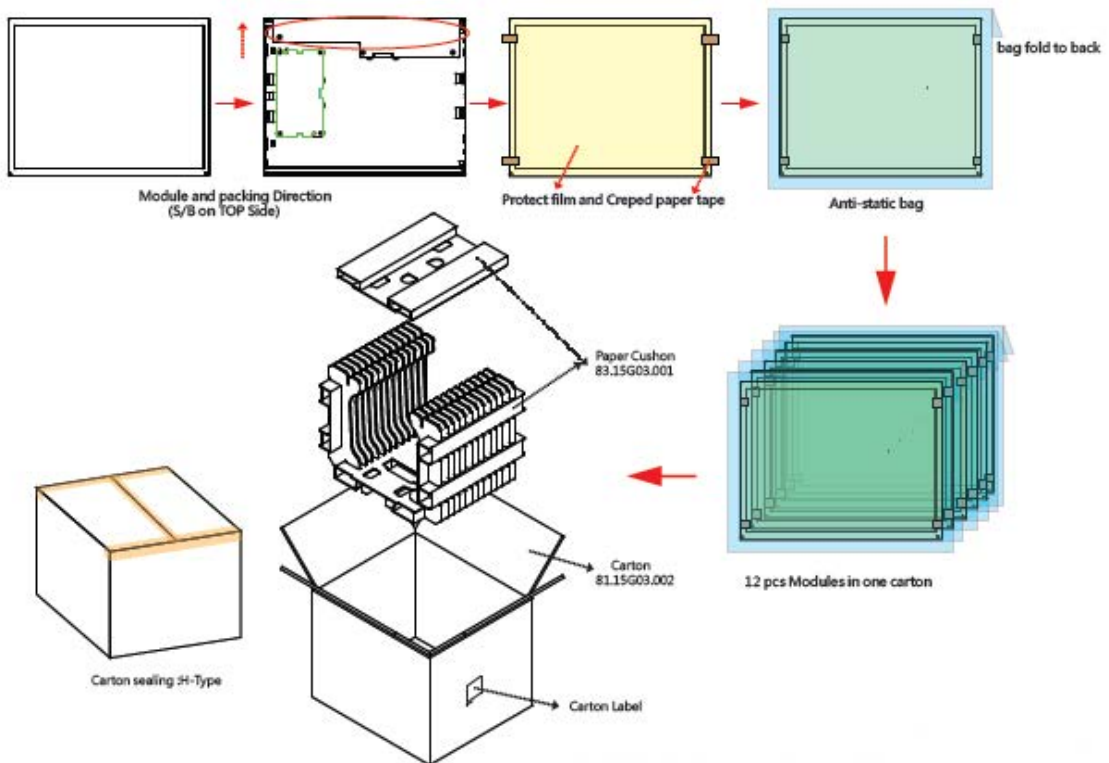
## 10. Label and Packaging

### 10.1 Shipping Label (on the rear side of TFT-LCD display)



- Ⓐ Model name
- Ⓑ Manufacture : (YY/WWW)
- Ⓒ internal Code I28
- Ⓓ Customer Code

### 10.2 Carton Package



## **11 Safety**

### **11.1 Sharp Edge Requirements**

There will be no sharp edges or comers on the display assembly that could cause injury.

### **11.2 Materials**

#### **11.2.1 Toxicity**

There will be no carcinogenic materials used anywhere in the display module. If toxic materials are used, they will be reviewed and approved by the responsible AUO toxicologist.

#### **11.2.2 Flammability**

All components including electrical components that do not meet the flammability grade UL94-V1 in the module will complete the flammability rating exception approval process.

The printed circuit board will be made from material rated 94-V1 or better. The actual UL flammability rating will be printed on the printed circuit board.

### **11.3 Capacitors**

If any polarized capacitors are used in the display assembly, provisions will be made to keep them from being inserted backwards.

### **11.4 National Test Lab Requirement**

The display module will satisfy all requirements for compliance to:

Our company network supports you worldwide with offices in Germany, Austria, Switzerland, the UK and the USA. For more information please contact:

## Headquarters

Germany



**FORTEC Elektronik AG**

Lechwiesenstr. 9  
86899 Landsberg am Lech

Phone: +49 8191 91172-0  
E-Mail: [sales@forteca.de](mailto:sales@forteca.de)  
Internet: [www.forteca.de](http://www.forteca.de)

## Fortec Group Members

Austria



**FORTEC Elektronik AG**

**Office Vienna**

Nuschinggasse 12  
1230 Wien

Phone: +43 1 8673492-0  
E-Mail: [office@fortec.at](mailto:office@fortec.at)  
Internet: [www.fortec.at](http://www.fortec.at)

Germany



**Distec GmbH**

Augsburger Str. 2b  
82110 Germering

Phone: +49 89 894363-0  
E-Mail: [info@distec.de](mailto:info@distec.de)  
Internet: [www.distec.de](http://www.distec.de)

Switzerland



**ALTRAC AG**

Bahnhofstraße 3  
5436 Würenlos

Phone: +41 44 7446111  
E-Mail: [info@altrac.ch](mailto:info@altrac.ch)  
Internet: [www.altrac.ch](http://www.altrac.ch)

United Kingdom



**Display Technology Ltd.**

Osprey House, 1 Osprey Court  
Hichingbrooke Business Park  
Huntingdon, Cambridgeshire, PE29 6FN

Phone: +44 1480 411600  
E-Mail: [info@displaytechnology.co.uk](mailto:info@displaytechnology.co.uk)  
Internet: [www.displaytechnology.co.uk](http://www.displaytechnology.co.uk)

USA



**Apollo Display Technologies, Corp.**

87 Raynor Avenue,  
Unit 1 Ronkonkoma,  
NY 11779

Phone: +1 631 5804360  
E-Mail: [info@apolloDisplays.com](mailto:info@apolloDisplays.com)  
Internet: [www.apolloDisplays.com](http://www.apolloDisplays.com)