



**DLD1566-I V1**  
**15.6" TFT LCD, LED Backlight 1200nits, FHD(1920x1080)**

The DLD1566-I is a 15.6 inch industrial grade sunlight readable LCD, with high brightness 1200 nits and high color saturation, it produce sharp images, crisp text and lifelike colors. The Durapixel LED backlight technology ensures high reliability and low power consumption, suitable for outdoor application, kiosk, factory automation, military, transportation and gaming application.

**Key Features**

- High Brightness 1200 nits
- Sunlight Readable
- LED Backlight
- Low Power Consumption
- Wide range temperature
- BL MTBF: 100,000 hours



**Specifications**

Model Name	DLD1566-I V1
Description	15.6" TFT LCD, LED Backlight 1200 nits, FHD (1920x1080)
Screen Size	15.6"
Display Area (mm)	344.16(H) x 193.59(V)
Brightness	1200 cd/m <sup>2</sup>
Resolution	1920x1080
Aspect Ratio	16 : 9
Contrast Ratio	1000 : 1
Pixel Pitch (mm)	0.17925(H) x 0.17925(V)
Pixel Pre Inch (PPI)	141
Viewing Angle	170°(H),170°(V)
Color Saturation (NTSC)	81%
Display Colors	16.2M
Response Time (Typical)	25ms
Panel Interface	LVDS
AD Board Input Interface	VGA,DVI, DP
Input Power	DC12V
Power Consumption	23.28W
OSD Key	4 Keys (Power Switch, Menu, +, -)
OSD Control	Brightness, Color, Contrast, Auto Turing, H/V Position...etc
Dimensions (mm)	369 x 221.1 x 40.2
Bezel Size(U/B/L/R)	13.03/13.03/11.68/11.68 mm
Mounting	75x75
Weight (Net)	2.8kg
Operating Temperature	-30 °C ~ 70 °C
Storage Temperature	-40 °C ~ 70 °C

**DLD= Panel + LED Driving Board + AD Control Board + Chassis**

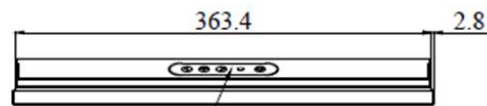
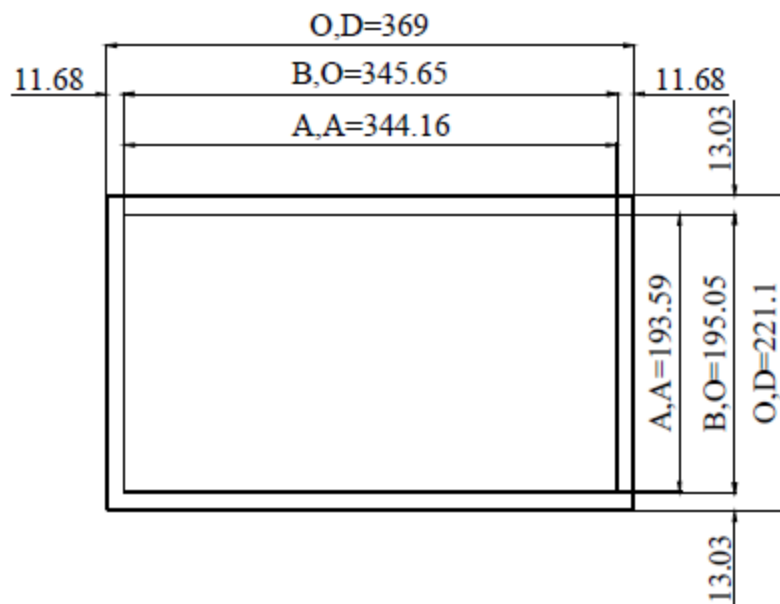
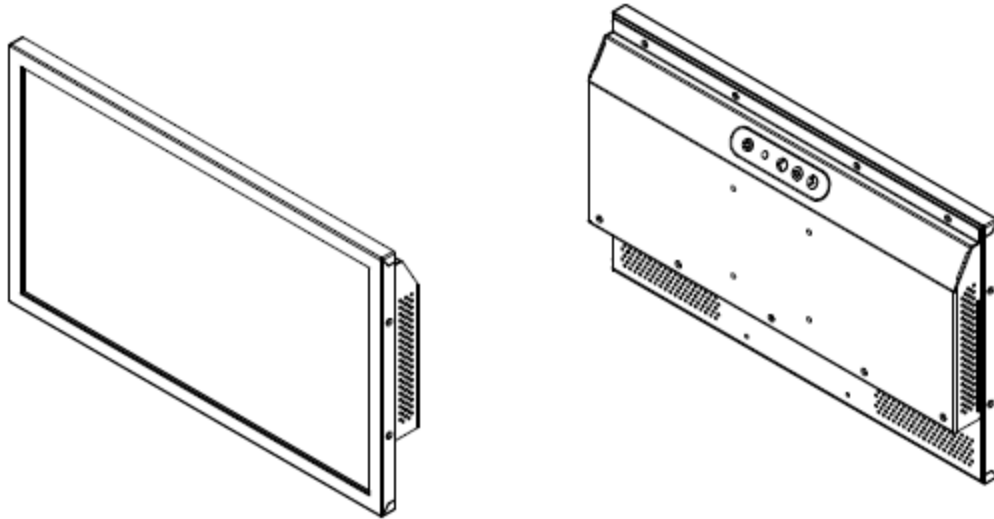
Specifications are subject to change without notice.  
 All brands or product names are trademarks or registered trademarks of their respective companies.



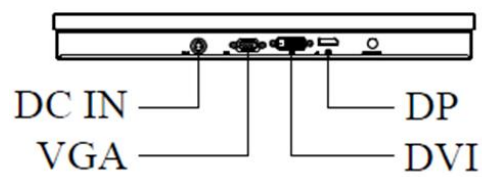
## Mechanical Drawing

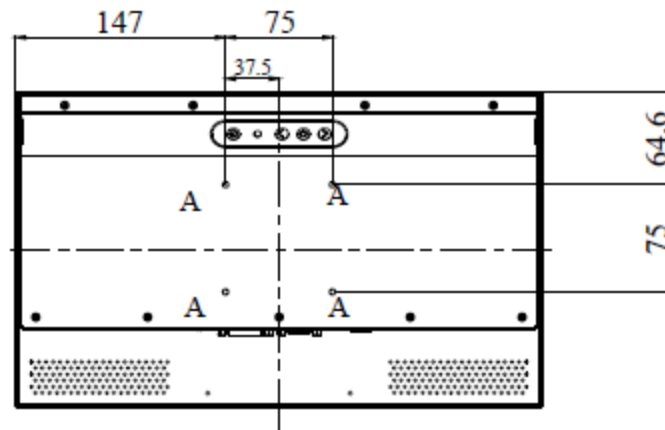
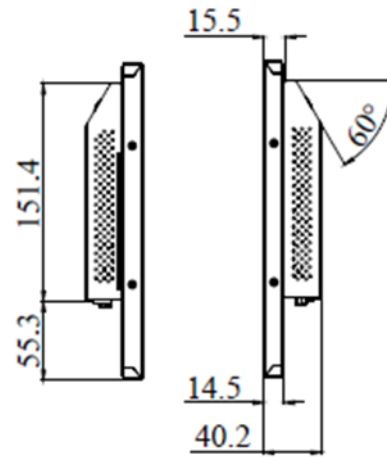
### Outline Dimensions

Unit:mm



MEMBRANE 4-KEYS





**NOTE :**

O.D. : OUTLINE DIMENSION

B.O. : BEZEL OPENING

A.A. : LCD ACTIVE AREA

A : 4-M4\_USER HOLE\_MAX Depth=4mm



### Ordering Information

Part Number	Description
<b>DLD1566-INB-I01</b>	15.6",1200nits,1920x1080,LID15B,AD6038GDP,O/B,DC12V,3in1,V1

### Optional Accessories

Part Number	Description
<b>810618301010</b>	CABLE.POWER.AC.1830mm USA type
<b>810618301090</b>	CABLE,POWER,AC,1830mm Europe type
<b>810618301050</b>	CABLE.POWER.AC.1830mm UK type
<b>810618301170</b>	CABLE.POWER,AC,1830mm Australia type
<b>810618301031</b>	CABLE.POWER.AC.1830mm Japan type

### Customer request

<b>Touch</b>	PCT (Multi-Touch)
<b>Glass</b>	Tempered glass,AR coating.....