



DLF3200-GNE / DLH3200-GNE V1
32" TFT LCD, LED Backlight 2000nits, FHD(1920x1080)

The DLF/DLH3200-GNE is a 32 inch industrial grade sunlight readable LCD, with high brightness 2000 nits and high color saturation, it produce sharp images, crisp text and lifelike colors. The Durapixel LED backlight technology ensures high reliability and low power consumption, suitable for outdoor application, kiosk, factory automation, military, transportation and gaming application.

Key Features

- High Brightness 2000nits
- Sunlight Readable
- LED Backlight
- Low Power Consumption
- LCD Blanking Defect Free (H-Tni 110°C)
- BL MTBF: 100,000 hours



Specifications

Model Name	DLF3200-GNE / DLH3200-GNE V1
Description	32" TFT LCD, LED Backlight 2000 nits, FHD (1920x1080)
Screen Size	32"
Display Area (mm)	698.4(H) x 392.8(V)
Brightness	2000 cd/m ²
Resolution	1920x1080
Aspect Ratio	16 : 9
Contrast Ratio	1400 : 1
Pixel Pitch (mm)	0.36375(H) x 0.36375(V)
Pixel Pre Inch (PPI)	68
Viewing Angle	178°(H),178°(V)
Color Saturation (NTSC)	81%
Display Colors	16.7M
Response Time (Typical)	10ms
Panel Interface	LVDS
AD Board Input Interface	VGA, DVI-D, HDMI
Input Power	AC100~240V
Power Consumption	75.42W (86.8W with AD Board)
OSD Key	4 Keys (Power Switch, Menu, +, -)
OSD Control	Brightness, Color, Contrast, Auto Turing, H/V Position...etc
Dimensions (mm)	732.4 x 426.85x 30.1
Bezel Size(U/B/L/R)	15/15/15/15 mm
Weight (Net)	6kg
Operating Temperature	0 °C ~ 50 °C
Storage Temperature	-20 °C ~ 60 °C

DLF= Panel+ LED Driving Board

DLH= Panel+ LED Driving Board + AD Control Board

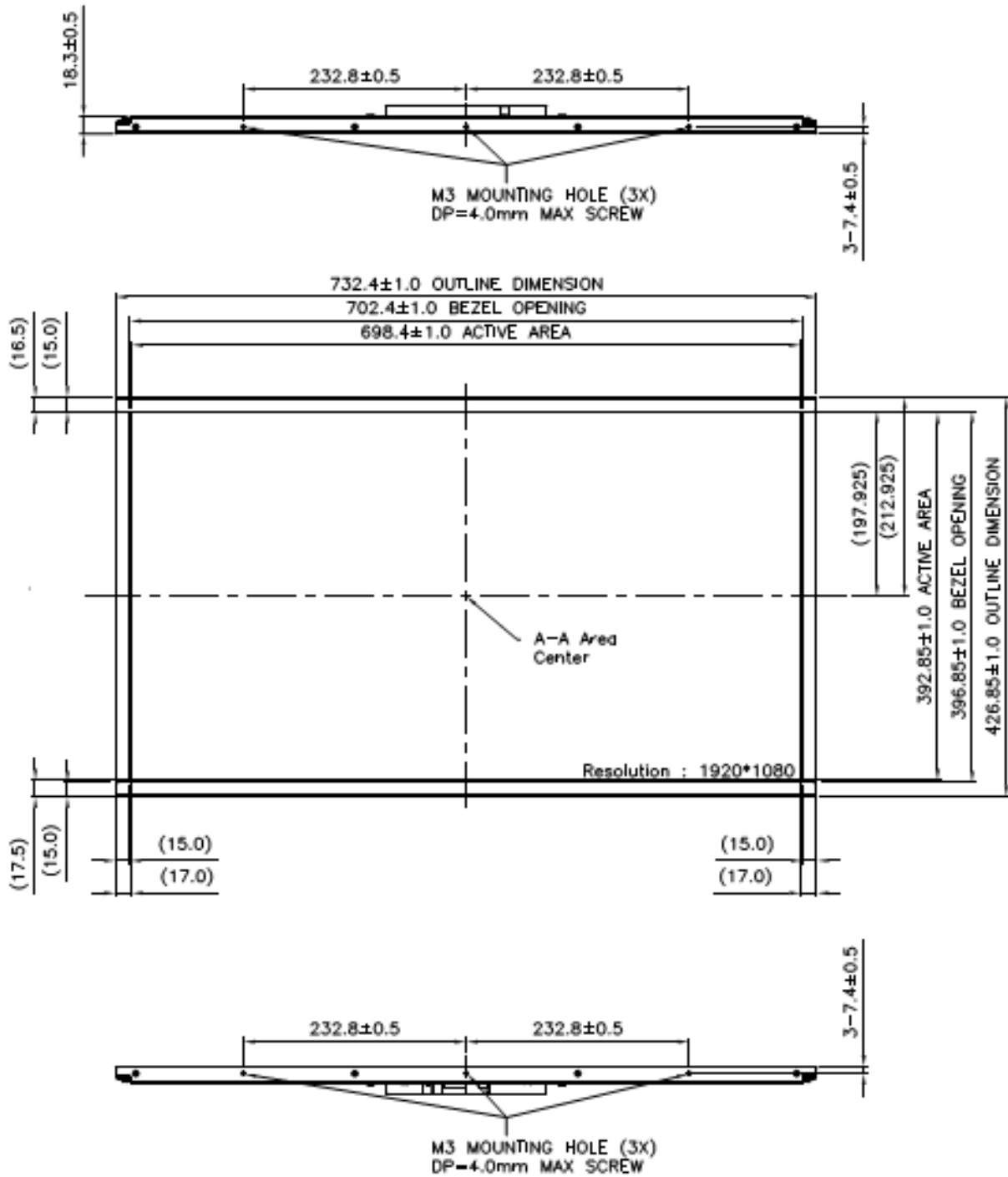
Specifications are subject to change without notice.
 All brands or product names are trademarks or registered trademarks of their respective companies.

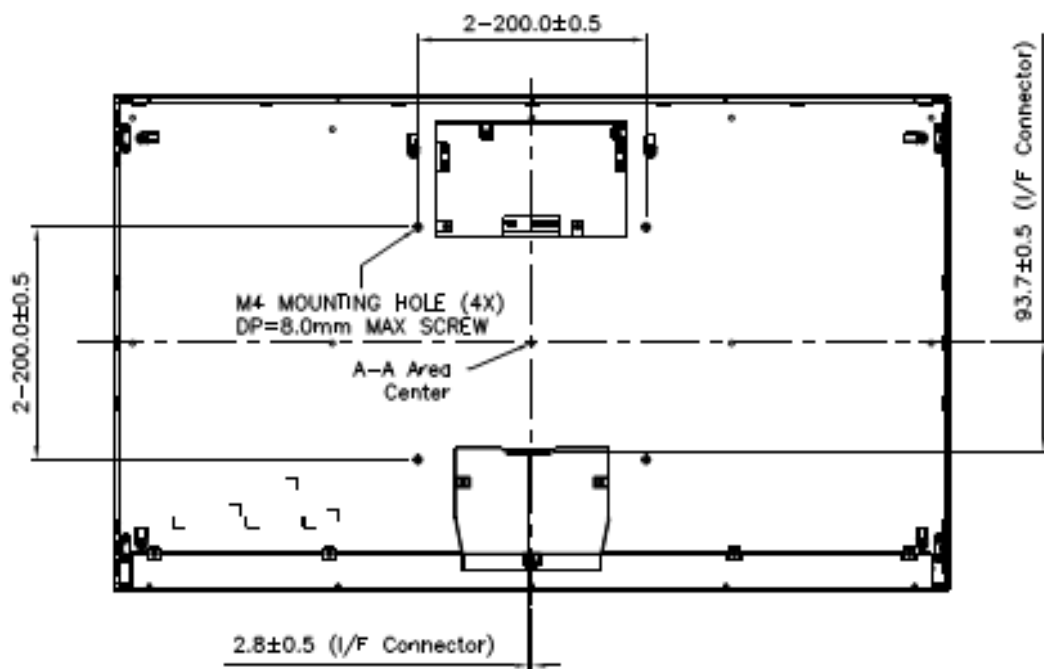
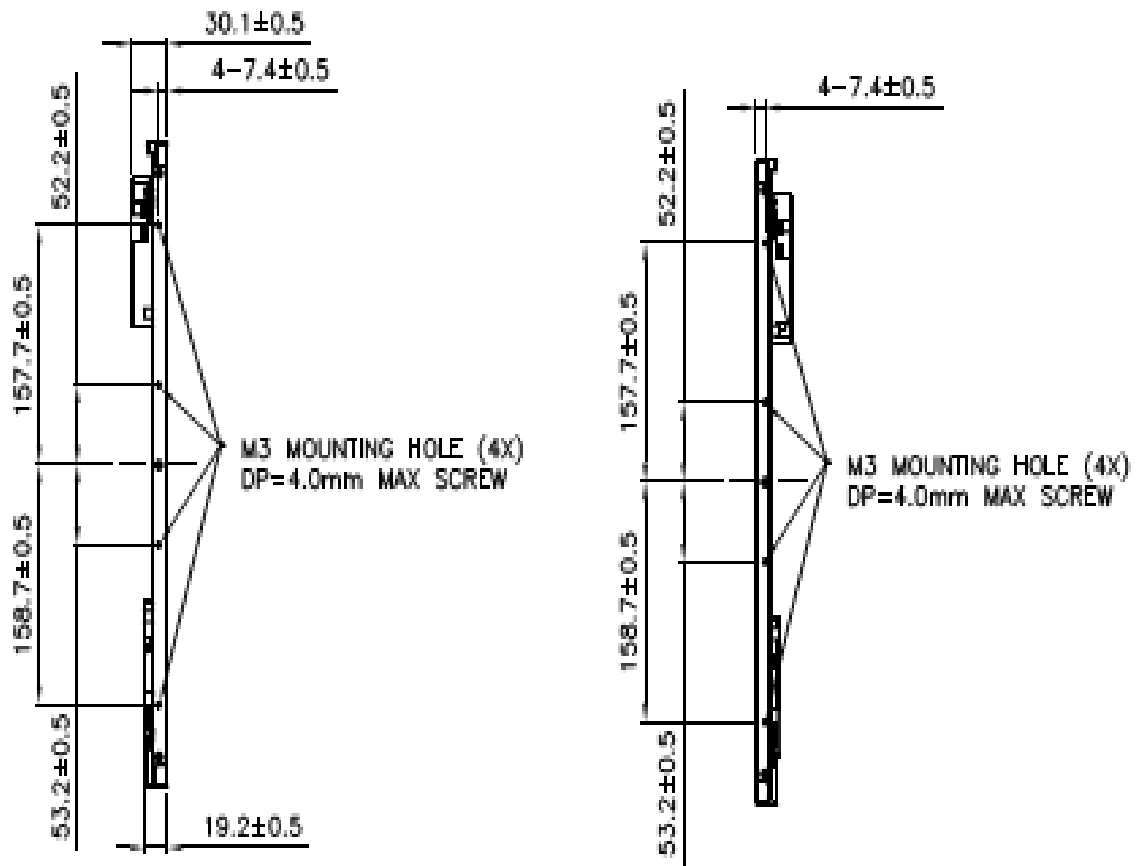


Mechanical Drawing

Outline Dimensions

Unit:mm







Ordering Information

Part Number	Description
DLF3200-GNE-A01	32",2000nits,1920x1080,HTni,LD32A,2in1,V1
DLH3200-GNE-G01	32",2000nits,1920x1080,HTni,LD32A,AD2662GDHM,AC100~240V,2in1,V1

Optional Accessories

Part Number	Description
810618301010	CABLE.POWER.AC.1830mm USA type
810618301090	CABLE,POWER,AC,1830mm Europe type
810618301050	CABLE.POWER.AC.1830mm UK type
810618301170	CABLE.POWER,AC,1830mm Australia type
810618301031	CABLE.POWER.AC.1830mm Japan type

Customer request

Touch	SCT (Single-Touch), PCT (Multi-Touch)
Glass	Tempered glass, AR coating.....