



## SSD4956-B V1

### 49.5" Resizing LCD, 1200 nits LED backlight, 1920 x 538 ultra-wide aspect ratio 16:4.5

The SSD4956-B is a 49.5 inch color TFT-LCD display with special aspect ratio 16:4.4 and wide resolution 1920 x 538. It is Litemax's Spanpixel series product which designed for high brightness 1200 nits with power efficiency LED backlight. It provides LCD panel with specific aspect ratios and sunlight readable for digital signage, public transportation, exhibition hall, department store, and vending machine.

#### Key Features

- Resizing LCD
- Ultra-Wide Screen (16 : 4.5)
- High Brightness 1200 nits
- Sunlight Readable
- LED Backlight
- Slim Bezel
- BL MTBF: 100,000 hours



### Specifications

Model Name	SSD4956-B V1
Description	49.5" Resizing LCD, 1200 nits LED backlight, 1920x538
Screen Size	49.5"
Display Area (mm)	1209.6(H) x 338.9(V)
Brightness	1200 cd/m <sup>2</sup>
Resolution	1920x538
Aspect Ratio	16 : 4.5
Contrast Ratio	1500 : 1
Pixel Pitch (mm)	0.63(H) x 0.63(V)
Pixel Per Inch (PPI)	40
Viewing Angle	178°(H),178°(V)
Color Saturation (NTSC)	81%
Display Colors	16.7M
Response Time (Typical)	8ms
Panel Interface	LVDS
AD Board Input Interface	VGA, DVI-D, HDMI, VIDEO,AUDIO
Input Power	AC100~240V
Power Consumption	99.7W
OSD Key	4 Keys (Power Switch, Menu, +, -)
OSD Control	Brightness, Color, Contrast, Auto Turing, H/V Position...etc
Dimensions (mm)	1247.5 x 381.5 x 66.6
Bezel Size(U/B/L/R)	19.3/19.3/16.95/16.95 mm
Weight (Net)	18.4 kg
Mounting	400x100,800x100
Operating Temperature	0 °C ~ 50 °C
Storage Temperature	-20 °C ~ 60 °C

SSD= Panel+ LED Driving Board + AD Control Board + Housing

*Specifications are subject to change without notice.*

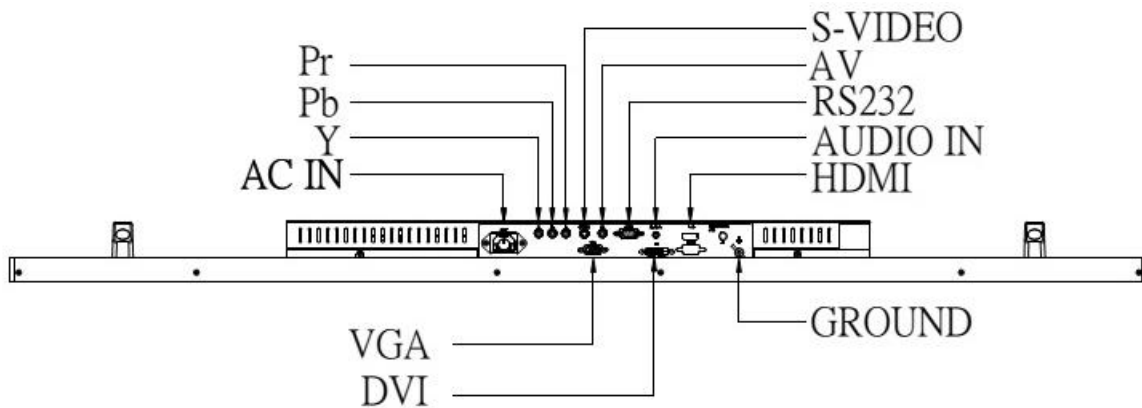
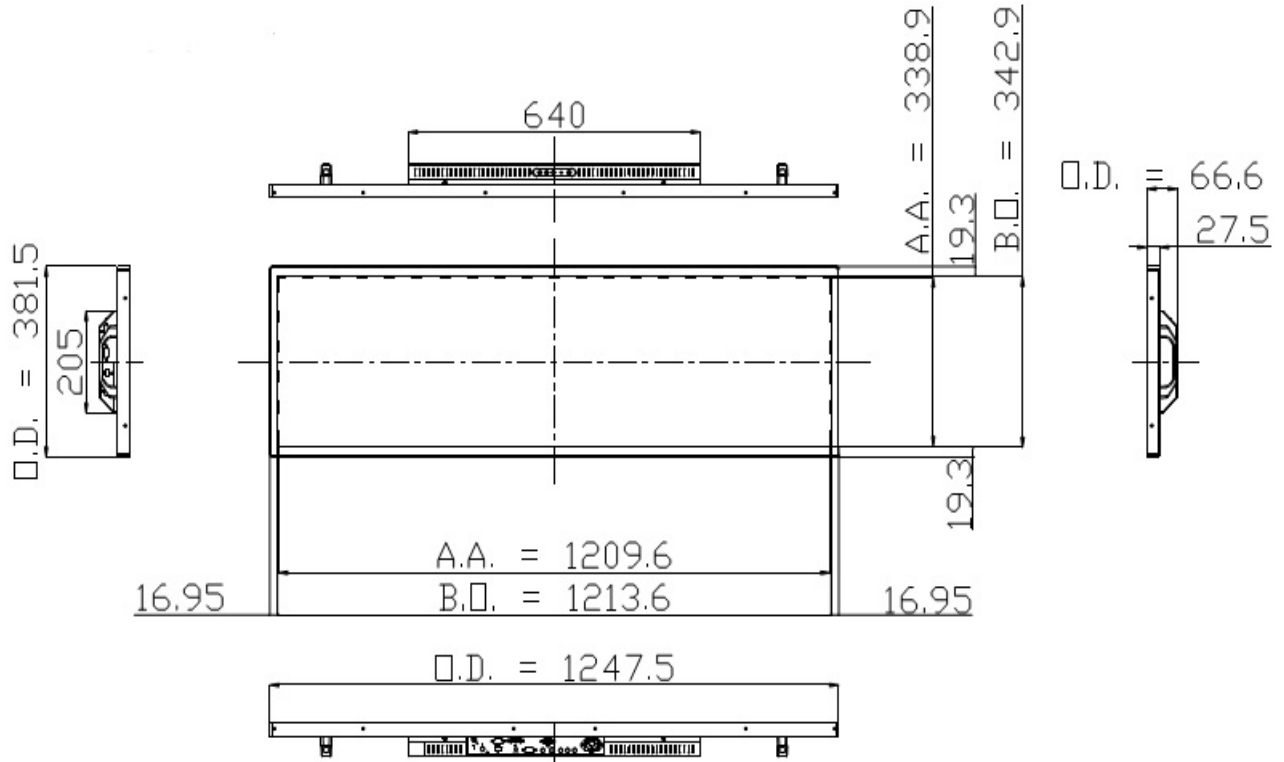
*All brands or product names are trademarks or registered trademarks of their respective companies.*

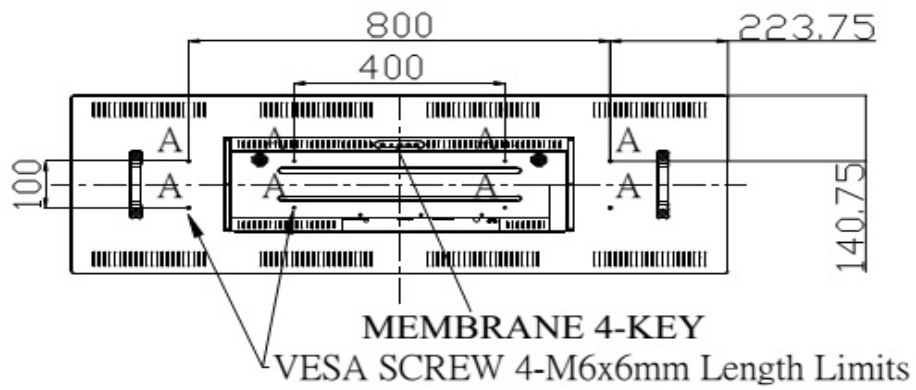
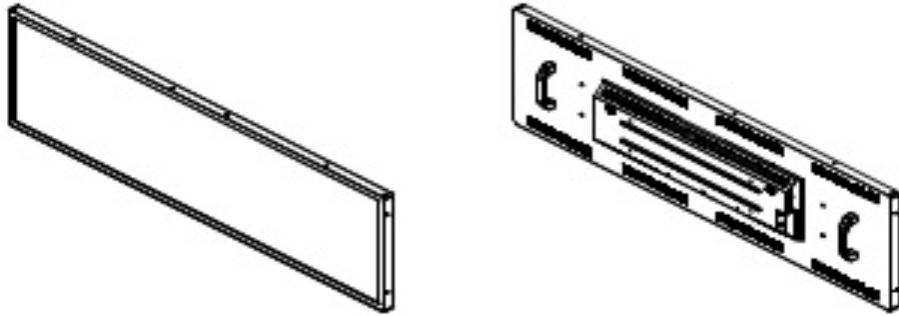


## Mechanical Drawing

Outline Dimensions

Unit: mm





NOTE :

- A : 8-M6\_USER HOLE\_MAX DEPTH=6mm
- O.D : Outline Dimension
- B.O : Bezel Opening
- A.A : LCD Active Area



### Ordering Information

Part Number	Description
<b>SSD4956-BNB-G01</b>	49.5", 1200nits, 1920*538, LID49A.AD2662GDHMVAR, speaker*2.O/B, AC100~240V, V01

### Optional Accessories

Part Number	Description
<b>810618301010</b>	CABLE.POWER.AC.1830mm USA type
<b>810618301090</b>	CABLE,POWER,AC,1830mm Europe type
<b>810618301050</b>	CABLE.POWER.AC.1830mm UK type
<b>810618301170</b>	CABLE.POWER,AC,1830mm Australia type
<b>810618301031</b>	CABLE.POWER.AC.1830mm Japan type

### By Customer Request

<b>Glass</b>	Tempered glass, AR coating.....
--------------	---------------------------------