



OUR GLOBAL  
COMPETENCE  
CENTRES

 APOLLO DISPLAY  
TECHNOLOGIES



 DISTEC



 DISPLAY  
TECHNOLOGY



# Datasheet

## AUO

### G133HAN02.0


UP-02-189



# Product Specification

AU OPTRONICS CORPORATION

- ( ) Preliminary Specifications
- ( V ) Final Specifications

Module	13.3”(13.26”) FHD 16:9 Color TFT-LCD with LED Backlight design
Model Name	G133HAN02.0
Note (  )	LED Backlight with driving circuit design

<b>Customer</b>	<b>Date</b>
<b>Checked &amp; Approved by</b>	<b>Date</b>
Note: This Specification is subject to change without notice.	

<b>Approved by</b>	<b>Date</b>
<u>Sean Lin</u>	<u>2020/2/25</u>
<b>Prepared by</b>	<b>Date</b>
<u>CH Tsai</u>	<u>2020/2/25</u>
<b>AU Optronics corporation</b>	



## Contents

<b>1. Handling Precautions</b>	<b>5</b>
<b>2. General Description</b>	<b>6</b>
2.1 General Specification	6
2.2 Optical Characteristics	8
<b>3. Functional Block Diagram</b>	<b>13</b>
<b>4. Absolute Maximum Ratings</b>	<b>13</b>
4.1 Absolute Ratings of TFT LCD Module	13
4.2 Absolute Ratings of Environment	13
<b>5. Electrical Characteristics</b>	<b>15</b>
5.1 TFT LCD Module	15
5.2 Backlight Unit	18
<b>6. Signal Interface Characteristic</b>	<b>20</b>
6.1 Pixel Format Image	20
6.2 Integration Interface Requirement	21
6.3 Interface Timing	23
6.4 Power ON/OFF Sequence	24
<b>7. Panel Reliability Test</b>	<b>27</b>
7.1 Vibration Test	27
7.2 Shock Test	27
7.3 Reliability Test	27
<b>8. Mechanical Characteristics</b>	<b>28</b>
8.1 Total Solution Outline Dimension	28
<b>9. Shipping and Package</b>	<b>29</b>
9.1 Shipping Label Format	29
9.2 Carton packing	30
9.3 Shipping Package of Palletizing Sequence	30
<b>10. Appendix: EDID Description</b>	<b>31</b>

## Record of Revision

Version and Date	Page	Old description	New Description	Remark																																																																					
0.0	All	First Edition																																																																							
1.0	5	<table border="1"> <thead> <tr> <th>Item</th> <th>Date</th> <th>Description</th> </tr> </thead> <tbody> <tr> <td>1</td> <td>2021.07.01</td> <td>Initial Release</td> </tr> </tbody> </table>	Item	Date	Description	1	2021.07.01	Initial Release	<table border="1"> <thead> <tr> <th>Symbol</th> <th>Parameter</th> <th>Min.</th> <th>Typ.</th> <th>Max.</th> <th>Units</th> <th>Notes</th> </tr> </thead> <tbody> <tr> <td>[Symbol]</td> <td>White Luminance (V<sub>DD</sub>=24V)</td> <td>400</td> <td>500</td> <td>-</td> <td>cd/m<sup>2</sup></td> <td>(center point)</td> </tr> <tr> <td>[Symbol]</td> <td>White LED max. current</td> <td>1.25</td> <td>max.</td> <td>3</td> <td>mA</td> <td></td> </tr> <tr> <td>[Symbol]</td> <td>Luminance Uniformity</td> <td>800</td> <td>typ.</td> <td>-</td> <td>typ.</td> <td></td> </tr> <tr> <td>[Symbol]</td> <td>Contrast Ratio</td> <td>27</td> <td>typ.</td> <td>35</td> <td>Max.</td> <td></td> </tr> <tr> <td>[Symbol]</td> <td>Response Time</td> <td>1.2</td> <td>typ.</td> <td>3</td> <td>ms</td> <td></td> </tr> <tr> <td>[Symbol]</td> <td>Normal Input Voltage V<sub>DD</sub></td> <td>1.2</td> <td>typ.</td> <td>3</td> <td>V</td> <td></td> </tr> <tr> <td>[Symbol]</td> <td>Logic power max @ V<sub>DD</sub> 3.3V</td> <td>White</td> <td>3.5W</td> <td>typ.</td> <td>W</td> <td></td> </tr> <tr> <td>[Symbol]</td> <td>Backlight Power max @ V<sub>LED</sub> 12V in.</td> <td>280</td> <td>max.</td> <td>-</td> <td>mW</td> <td></td> </tr> </tbody> </table>	Symbol	Parameter	Min.	Typ.	Max.	Units	Notes	[Symbol]	White Luminance (V <sub>DD</sub> =24V)	400	500	-	cd/m <sup>2</sup>	(center point)	[Symbol]	White LED max. current	1.25	max.	3	mA		[Symbol]	Luminance Uniformity	800	typ.	-	typ.		[Symbol]	Contrast Ratio	27	typ.	35	Max.		[Symbol]	Response Time	1.2	typ.	3	ms		[Symbol]	Normal Input Voltage V <sub>DD</sub>	1.2	typ.	3	V		[Symbol]	Logic power max @ V <sub>DD</sub> 3.3V	White	3.5W	typ.	W		[Symbol]	Backlight Power max @ V <sub>LED</sub> 12V in.	280	max.	-	mW		
Item	Date	Description																																																																							
1	2021.07.01	Initial Release																																																																							
Symbol	Parameter	Min.	Typ.	Max.	Units	Notes																																																																			
[Symbol]	White Luminance (V <sub>DD</sub> =24V)	400	500	-	cd/m <sup>2</sup>	(center point)																																																																			
[Symbol]	White LED max. current	1.25	max.	3	mA																																																																				
[Symbol]	Luminance Uniformity	800	typ.	-	typ.																																																																				
[Symbol]	Contrast Ratio	27	typ.	35	Max.																																																																				
[Symbol]	Response Time	1.2	typ.	3	ms																																																																				
[Symbol]	Normal Input Voltage V <sub>DD</sub>	1.2	typ.	3	V																																																																				
[Symbol]	Logic power max @ V <sub>DD</sub> 3.3V	White	3.5W	typ.	W																																																																				
[Symbol]	Backlight Power max @ V <sub>LED</sub> 12V in.	280	max.	-	mW																																																																				
7		<table border="1"> <thead> <tr> <th>Symbol</th> <th>Parameter</th> <th>Min.</th> <th>Typ.</th> <th>Max.</th> <th>Units</th> <th>Notes</th> </tr> </thead> <tbody> <tr> <td>[Symbol]</td> <td>Viewing Angle</td> <td>170</td> <td>typ.</td> <td>178</td> <td>°</td> <td></td> </tr> <tr> <td>[Symbol]</td> <td>Response Time</td> <td>1.2</td> <td>typ.</td> <td>3</td> <td>ms</td> <td></td> </tr> </tbody> </table>	Symbol	Parameter	Min.	Typ.	Max.	Units	Notes	[Symbol]	Viewing Angle	170	typ.	178	°		[Symbol]	Response Time	1.2	typ.	3	ms		<table border="1"> <thead> <tr> <th>Symbol</th> <th>Parameter</th> <th>Min.</th> <th>Typ.</th> <th>Max.</th> <th>Units</th> <th>Notes</th> </tr> </thead> <tbody> <tr> <td>[Symbol]</td> <td>Viewing Angle</td> <td>170</td> <td>typ.</td> <td>178</td> <td>°</td> <td></td> </tr> <tr> <td>[Symbol]</td> <td>Response Time</td> <td>1.2</td> <td>typ.</td> <td>3</td> <td>ms</td> <td></td> </tr> </tbody> </table>	Symbol	Parameter	Min.	Typ.	Max.	Units	Notes	[Symbol]	Viewing Angle	170	typ.	178	°		[Symbol]	Response Time	1.2	typ.	3	ms																													
Symbol	Parameter	Min.	Typ.	Max.	Units	Notes																																																																			
[Symbol]	Viewing Angle	170	typ.	178	°																																																																				
[Symbol]	Response Time	1.2	typ.	3	ms																																																																				
Symbol	Parameter	Min.	Typ.	Max.	Units	Notes																																																																			
[Symbol]	Viewing Angle	170	typ.	178	°																																																																				
[Symbol]	Response Time	1.2	typ.	3	ms																																																																				
12																																																																									
14		<table border="1"> <thead> <tr> <th>Symbol</th> <th>Parameter</th> <th>Min.</th> <th>Typ.</th> <th>Max.</th> <th>Units</th> <th>Notes</th> </tr> </thead> <tbody> <tr> <td>[Symbol]</td> <td>V<sub>DD</sub></td> <td>1.2</td> <td>3.3</td> <td>3.3</td> <td>V</td> <td>Note 1</td> </tr> <tr> <td>[Symbol]</td> <td>V<sub>DD</sub> Current</td> <td>270</td> <td>300</td> <td>350</td> <td>mA</td> <td>Note 2</td> </tr> <tr> <td>[Symbol]</td> <td>V<sub>DD</sub> Ripple</td> <td>100</td> <td>150</td> <td>200</td> <td>mV</td> <td>Note 3</td> </tr> </tbody> </table>	Symbol	Parameter	Min.	Typ.	Max.	Units	Notes	[Symbol]	V <sub>DD</sub>	1.2	3.3	3.3	V	Note 1	[Symbol]	V <sub>DD</sub> Current	270	300	350	mA	Note 2	[Symbol]	V <sub>DD</sub> Ripple	100	150	200	mV	Note 3	<table border="1"> <thead> <tr> <th>Symbol</th> <th>Parameter</th> <th>Min.</th> <th>Typ.</th> <th>Max.</th> <th>Units</th> <th>Notes</th> </tr> </thead> <tbody> <tr> <td>[Symbol]</td> <td>V<sub>DD</sub></td> <td>1.2</td> <td>3.3</td> <td>3.3</td> <td>V</td> <td>Note 1</td> </tr> <tr> <td>[Symbol]</td> <td>V<sub>DD</sub> Current</td> <td>270</td> <td>300</td> <td>350</td> <td>mA</td> <td>Note 2</td> </tr> <tr> <td>[Symbol]</td> <td>V<sub>DD</sub> Ripple</td> <td>100</td> <td>150</td> <td>200</td> <td>mV</td> <td>Note 3</td> </tr> </tbody> </table>	Symbol	Parameter	Min.	Typ.	Max.	Units	Notes	[Symbol]	V <sub>DD</sub>	1.2	3.3	3.3	V	Note 1	[Symbol]	V <sub>DD</sub> Current	270	300	350	mA	Note 2	[Symbol]	V <sub>DD</sub> Ripple	100	150	200	mV	Note 3														
Symbol	Parameter	Min.	Typ.	Max.	Units	Notes																																																																			
[Symbol]	V <sub>DD</sub>	1.2	3.3	3.3	V	Note 1																																																																			
[Symbol]	V <sub>DD</sub> Current	270	300	350	mA	Note 2																																																																			
[Symbol]	V <sub>DD</sub> Ripple	100	150	200	mV	Note 3																																																																			
Symbol	Parameter	Min.	Typ.	Max.	Units	Notes																																																																			
[Symbol]	V <sub>DD</sub>	1.2	3.3	3.3	V	Note 1																																																																			
[Symbol]	V <sub>DD</sub> Current	270	300	350	mA	Note 2																																																																			
[Symbol]	V <sub>DD</sub> Ripple	100	150	200	mV	Note 3																																																																			
15		<table border="1"> <thead> <tr> <th>Symbol</th> <th>Parameter</th> <th>Min.</th> <th>Typ.</th> <th>Max.</th> <th>Units</th> <th>Notes</th> </tr> </thead> <tbody> <tr> <td>[Symbol]</td> <td>V<sub>CM</sub></td> <td>0</td> <td>1.5</td> <td>1.5</td> <td>V</td> <td></td> </tr> <tr> <td>[Symbol]</td> <td>V<sub>DR</sub></td> <td>150</td> <td>150</td> <td>150</td> <td>mV</td> <td></td> </tr> </tbody> </table>	Symbol	Parameter	Min.	Typ.	Max.	Units	Notes	[Symbol]	V <sub>CM</sub>	0	1.5	1.5	V		[Symbol]	V <sub>DR</sub>	150	150	150	mV		<table border="1"> <thead> <tr> <th>Symbol</th> <th>Parameter</th> <th>Min.</th> <th>Typ.</th> <th>Max.</th> <th>Units</th> <th>Notes</th> </tr> </thead> <tbody> <tr> <td>[Symbol]</td> <td>V<sub>CM</sub></td> <td>0</td> <td>1.5</td> <td>1.5</td> <td>V</td> <td></td> </tr> <tr> <td>[Symbol]</td> <td>V<sub>DR</sub></td> <td>150</td> <td>150</td> <td>150</td> <td>mV</td> <td></td> </tr> </tbody> </table>	Symbol	Parameter	Min.	Typ.	Max.	Units	Notes	[Symbol]	V <sub>CM</sub>	0	1.5	1.5	V		[Symbol]	V <sub>DR</sub>	150	150	150	mV																													
Symbol	Parameter	Min.	Typ.	Max.	Units	Notes																																																																			
[Symbol]	V <sub>CM</sub>	0	1.5	1.5	V																																																																				
[Symbol]	V <sub>DR</sub>	150	150	150	mV																																																																				
Symbol	Parameter	Min.	Typ.	Max.	Units	Notes																																																																			
[Symbol]	V <sub>CM</sub>	0	1.5	1.5	V																																																																				
[Symbol]	V <sub>DR</sub>	150	150	150	mV																																																																				
16																																																																									
17		<table border="1"> <thead> <tr> <th>Parameter</th> <th>Symbol</th> <th>Min.</th> <th>Typ.</th> <th>Max.</th> <th>Units</th> <th>Remarks</th> </tr> </thead> <tbody> <tr> <td>LED Driver Supply</td> <td>V<sub>LED</sub></td> <td>10.5</td> <td>12.0</td> <td>13.2</td> <td>V</td> <td></td> </tr> <tr> <td>LED Enable Width</td> <td>V<sub>LED</sub> E.W.</td> <td>2.2</td> <td>-</td> <td>5.0</td> <td>ns</td> <td></td> </tr> <tr> <td>LED Disable Width</td> <td>V<sub>LED</sub> D.W.</td> <td>2.2</td> <td>-</td> <td>5.0</td> <td>ns</td> <td></td> </tr> </tbody> </table>	Parameter	Symbol	Min.	Typ.	Max.	Units	Remarks	LED Driver Supply	V <sub>LED</sub>	10.5	12.0	13.2	V		LED Enable Width	V <sub>LED</sub> E.W.	2.2	-	5.0	ns		LED Disable Width	V <sub>LED</sub> D.W.	2.2	-	5.0	ns		<table border="1"> <thead> <tr> <th>Parameter</th> <th>Symbol</th> <th>Min.</th> <th>Typ.</th> <th>Max.</th> <th>Units</th> <th>Remarks</th> </tr> </thead> <tbody> <tr> <td>LED Driver Supply</td> <td>V<sub>LED</sub></td> <td>10.5</td> <td>12.0</td> <td>13.2</td> <td>V</td> <td></td> </tr> <tr> <td>LED Enable Width</td> <td>V<sub>LED</sub> E.W.</td> <td>2.2</td> <td>-</td> <td>5.0</td> <td>ns</td> <td></td> </tr> <tr> <td>LED Disable Width</td> <td>V<sub>LED</sub> D.W.</td> <td>2.2</td> <td>-</td> <td>5.0</td> <td>ns</td> <td></td> </tr> </tbody> </table>	Parameter	Symbol	Min.	Typ.	Max.	Units	Remarks	LED Driver Supply	V <sub>LED</sub>	10.5	12.0	13.2	V		LED Enable Width	V <sub>LED</sub> E.W.	2.2	-	5.0	ns		LED Disable Width	V <sub>LED</sub> D.W.	2.2	-	5.0	ns															
Parameter	Symbol	Min.	Typ.	Max.	Units	Remarks																																																																			
LED Driver Supply	V <sub>LED</sub>	10.5	12.0	13.2	V																																																																				
LED Enable Width	V <sub>LED</sub> E.W.	2.2	-	5.0	ns																																																																				
LED Disable Width	V <sub>LED</sub> D.W.	2.2	-	5.0	ns																																																																				
Parameter	Symbol	Min.	Typ.	Max.	Units	Remarks																																																																			
LED Driver Supply	V <sub>LED</sub>	10.5	12.0	13.2	V																																																																				
LED Enable Width	V <sub>LED</sub> E.W.	2.2	-	5.0	ns																																																																				
LED Disable Width	V <sub>LED</sub> D.W.	2.2	-	5.0	ns																																																																				
20																																																																									
21																																																																									
23		<table border="1"> <thead> <tr> <th>Parameter</th> <th>Symbol</th> <th>Min.</th> <th>Typ.</th> <th>Max.</th> <th>Units</th> <th>Remarks</th> </tr> </thead> <tbody> <tr> <td>Check Frequency</td> <td>f<sub>check</sub></td> <td>100</td> <td>100</td> <td>100</td> <td>Hz</td> <td></td> </tr> <tr> <td>Refresh Rate</td> <td>f<sub>refresh</sub></td> <td>60</td> <td>60</td> <td>60</td> <td>Hz</td> <td></td> </tr> </tbody> </table>	Parameter	Symbol	Min.	Typ.	Max.	Units	Remarks	Check Frequency	f <sub>check</sub>	100	100	100	Hz		Refresh Rate	f <sub>refresh</sub>	60	60	60	Hz		<table border="1"> <thead> <tr> <th>Parameter</th> <th>Symbol</th> <th>Min.</th> <th>Typ.</th> <th>Max.</th> <th>Units</th> <th>Remarks</th> </tr> </thead> <tbody> <tr> <td>Check Frequency</td> <td>f<sub>check</sub></td> <td>100</td> <td>100</td> <td>100</td> <td>Hz</td> <td></td> </tr> <tr> <td>Refresh Rate</td> <td>f<sub>refresh</sub></td> <td>60</td> <td>60</td> <td>60</td> <td>Hz</td> <td></td> </tr> </tbody> </table>	Parameter	Symbol	Min.	Typ.	Max.	Units	Remarks	Check Frequency	f <sub>check</sub>	100	100	100	Hz		Refresh Rate	f <sub>refresh</sub>	60	60	60	Hz																													
Parameter	Symbol	Min.	Typ.	Max.	Units	Remarks																																																																			
Check Frequency	f <sub>check</sub>	100	100	100	Hz																																																																				
Refresh Rate	f <sub>refresh</sub>	60	60	60	Hz																																																																				
Parameter	Symbol	Min.	Typ.	Max.	Units	Remarks																																																																			
Check Frequency	f <sub>check</sub>	100	100	100	Hz																																																																				
Refresh Rate	f <sub>refresh</sub>	60	60	60	Hz																																																																				

	24	<p>LTP Panel Mounting Sequence</p>	<p>LTP Panel Mounting Sequence</p>																																																																																																																	
	26	<p>Touch Panel Power on Sequence</p>	Without TP																																																																																																																	
	29,30	<p>3.2 Carton Package 3.3 Shipping Package of Panel/TP Sequence</p>	<p>3.2 Carton Package 3.3 Shipping Package of Panel/TP Sequence</p>																																																																																																																	
	33	<p>3.4 Panel Mounting Sequence</p>	Del.																																																																																																																	
1.1	8	<table border="1"> <thead> <tr> <th>Item</th> <th>Symbol</th> <th>Conditions</th> <th>Min.</th> <th>Typ.</th> <th>Max.</th> <th>Unit</th> <th>Note</th> </tr> </thead> <tbody> <tr> <td>White Luminance @50-Hz/60-Hz</td> <td>-</td> <td>Center point</td> <td>400</td> <td>-</td> <td>450</td> <td>cd/m<sup>2</sup></td> <td>1.4</td> </tr> <tr> <td>Black Panel Contrast</td> <td>-</td> <td>-</td> <td>1000</td> <td>-</td> <td>1200</td> <td>-</td> <td>1.5</td> </tr> <tr> <td>Viewing Angle</td> <td>θV</td> <td>Horizontal (θH) / Vertical (θV)</td> <td>80</td> <td>80</td> <td>-</td> <td>degree</td> <td>1.6</td> </tr> <tr> <td>Luminance Uniformity</td> <td>U1</td> <td>CR = 10.0um<sup>2</sup></td> <td>80</td> <td>80</td> <td>-</td> <td>%</td> <td>A.9</td> </tr> <tr> <td>Luminance Uniformity</td> <td>U2</td> <td>CR = 10.0um<sup>2</sup></td> <td>80</td> <td>80</td> <td>-</td> <td>%</td> <td>A.9</td> </tr> <tr> <td>Luminance Uniformity</td> <td>U3</td> <td>CR = 10.0um<sup>2</sup></td> <td>80</td> <td>80</td> <td>-</td> <td>%</td> <td>A.9</td> </tr> </tbody> </table>	Item	Symbol	Conditions	Min.	Typ.	Max.	Unit	Note	White Luminance @50-Hz/60-Hz	-	Center point	400	-	450	cd/m <sup>2</sup>	1.4	Black Panel Contrast	-	-	1000	-	1200	-	1.5	Viewing Angle	θV	Horizontal (θH) / Vertical (θV)	80	80	-	degree	1.6	Luminance Uniformity	U1	CR = 10.0um <sup>2</sup>	80	80	-	%	A.9	Luminance Uniformity	U2	CR = 10.0um <sup>2</sup>	80	80	-	%	A.9	Luminance Uniformity	U3	CR = 10.0um <sup>2</sup>	80	80	-	%	A.9	<table border="1"> <thead> <tr> <th>Item</th> <th>Symbol</th> <th>Conditions</th> <th>Min.</th> <th>Typ.</th> <th>Max.</th> <th>Unit</th> <th>Note</th> </tr> </thead> <tbody> <tr> <td>White Luminance @50-Hz/60-Hz</td> <td>-</td> <td>Center point</td> <td>400</td> <td>-</td> <td>450</td> <td>cd/m<sup>2</sup></td> <td>1.4</td> </tr> <tr> <td>Black Panel Contrast</td> <td>-</td> <td>-</td> <td>1000</td> <td>-</td> <td>1200</td> <td>-</td> <td>1.5</td> </tr> <tr> <td>Viewing Angle</td> <td>θV</td> <td>Horizontal (θH) / Vertical (θV)</td> <td>80</td> <td>80</td> <td>-</td> <td>degree</td> <td>1.6</td> </tr> <tr> <td>Luminance Uniformity</td> <td>U1</td> <td>CR = 10.0um<sup>2</sup></td> <td>80</td> <td>80</td> <td>-</td> <td>%</td> <td>A.9</td> </tr> <tr> <td>Luminance Uniformity</td> <td>U2</td> <td>CR = 10.0um<sup>2</sup></td> <td>80</td> <td>80</td> <td>-</td> <td>%</td> <td>A.9</td> </tr> <tr> <td>Luminance Uniformity</td> <td>U3</td> <td>CR = 10.0um<sup>2</sup></td> <td>80</td> <td>80</td> <td>-</td> <td>%</td> <td>A.9</td> </tr> </tbody> </table>	Item	Symbol	Conditions	Min.	Typ.	Max.	Unit	Note	White Luminance @50-Hz/60-Hz	-	Center point	400	-	450	cd/m <sup>2</sup>	1.4	Black Panel Contrast	-	-	1000	-	1200	-	1.5	Viewing Angle	θV	Horizontal (θH) / Vertical (θV)	80	80	-	degree	1.6	Luminance Uniformity	U1	CR = 10.0um <sup>2</sup>	80	80	-	%	A.9	Luminance Uniformity	U2	CR = 10.0um <sup>2</sup>	80	80	-	%	A.9	Luminance Uniformity	U3	CR = 10.0um <sup>2</sup>	80	80	-	%	A.9	
Item	Symbol	Conditions	Min.	Typ.	Max.	Unit	Note																																																																																																													
White Luminance @50-Hz/60-Hz	-	Center point	400	-	450	cd/m <sup>2</sup>	1.4																																																																																																													
Black Panel Contrast	-	-	1000	-	1200	-	1.5																																																																																																													
Viewing Angle	θV	Horizontal (θH) / Vertical (θV)	80	80	-	degree	1.6																																																																																																													
Luminance Uniformity	U1	CR = 10.0um <sup>2</sup>	80	80	-	%	A.9																																																																																																													
Luminance Uniformity	U2	CR = 10.0um <sup>2</sup>	80	80	-	%	A.9																																																																																																													
Luminance Uniformity	U3	CR = 10.0um <sup>2</sup>	80	80	-	%	A.9																																																																																																													
Item	Symbol	Conditions	Min.	Typ.	Max.	Unit	Note																																																																																																													
White Luminance @50-Hz/60-Hz	-	Center point	400	-	450	cd/m <sup>2</sup>	1.4																																																																																																													
Black Panel Contrast	-	-	1000	-	1200	-	1.5																																																																																																													
Viewing Angle	θV	Horizontal (θH) / Vertical (θV)	80	80	-	degree	1.6																																																																																																													
Luminance Uniformity	U1	CR = 10.0um <sup>2</sup>	80	80	-	%	A.9																																																																																																													
Luminance Uniformity	U2	CR = 10.0um <sup>2</sup>	80	80	-	%	A.9																																																																																																													
Luminance Uniformity	U3	CR = 10.0um <sup>2</sup>	80	80	-	%	A.9																																																																																																													
1.2	8	<table border="1"> <thead> <tr> <th>Item</th> <th>Symbol</th> <th>Conditions</th> <th>Min.</th> <th>Typ.</th> <th>Max.</th> <th>Unit</th> <th>Note</th> </tr> </thead> <tbody> <tr> <td>White Luminance @50-Hz/60-Hz</td> <td>-</td> <td>Center point</td> <td>300</td> <td>-</td> <td>400</td> <td>cd/m<sup>2</sup></td> <td>1.4</td> </tr> <tr> <td>Black Panel Contrast</td> <td>-</td> <td>-</td> <td>1000</td> <td>-</td> <td>1200</td> <td>-</td> <td>1.5</td> </tr> <tr> <td>Viewing Angle</td> <td>θV</td> <td>Horizontal (θH) / Vertical (θV)</td> <td>80</td> <td>80</td> <td>-</td> <td>degree</td> <td>1.6</td> </tr> <tr> <td>Luminance Uniformity</td> <td>U1</td> <td>CR = 10.0um<sup>2</sup></td> <td>80</td> <td>80</td> <td>-</td> <td>%</td> <td>A.9</td> </tr> <tr> <td>Luminance Uniformity</td> <td>U2</td> <td>CR = 10.0um<sup>2</sup></td> <td>80</td> <td>80</td> <td>-</td> <td>%</td> <td>A.9</td> </tr> <tr> <td>Luminance Uniformity</td> <td>U3</td> <td>CR = 10.0um<sup>2</sup></td> <td>80</td> <td>80</td> <td>-</td> <td>%</td> <td>A.9</td> </tr> </tbody> </table>	Item	Symbol	Conditions	Min.	Typ.	Max.	Unit	Note	White Luminance @50-Hz/60-Hz	-	Center point	300	-	400	cd/m <sup>2</sup>	1.4	Black Panel Contrast	-	-	1000	-	1200	-	1.5	Viewing Angle	θV	Horizontal (θH) / Vertical (θV)	80	80	-	degree	1.6	Luminance Uniformity	U1	CR = 10.0um <sup>2</sup>	80	80	-	%	A.9	Luminance Uniformity	U2	CR = 10.0um <sup>2</sup>	80	80	-	%	A.9	Luminance Uniformity	U3	CR = 10.0um <sup>2</sup>	80	80	-	%	A.9	<table border="1"> <thead> <tr> <th>Item</th> <th>Symbol</th> <th>Conditions</th> <th>Min.</th> <th>Typ.</th> <th>Max.</th> <th>Unit</th> <th>Note</th> </tr> </thead> <tbody> <tr> <td>White Luminance @50-Hz/60-Hz</td> <td>-</td> <td>Center point</td> <td>300</td> <td>-</td> <td>400</td> <td>cd/m<sup>2</sup></td> <td>1.4</td> </tr> <tr> <td>Black Panel Contrast</td> <td>-</td> <td>-</td> <td>1000</td> <td>-</td> <td>1200</td> <td>-</td> <td>1.5</td> </tr> <tr> <td>Viewing Angle</td> <td>θV</td> <td>Horizontal (θH) / Vertical (θV)</td> <td>80</td> <td>80</td> <td>-</td> <td>degree</td> <td>1.6</td> </tr> <tr> <td>Luminance Uniformity</td> <td>U1</td> <td>CR = 10.0um<sup>2</sup></td> <td>80</td> <td>80</td> <td>-</td> <td>%</td> <td>A.9</td> </tr> <tr> <td>Luminance Uniformity</td> <td>U2</td> <td>CR = 10.0um<sup>2</sup></td> <td>80</td> <td>80</td> <td>-</td> <td>%</td> <td>A.9</td> </tr> <tr> <td>Luminance Uniformity</td> <td>U3</td> <td>CR = 10.0um<sup>2</sup></td> <td>80</td> <td>80</td> <td>-</td> <td>%</td> <td>A.9</td> </tr> </tbody> </table>	Item	Symbol	Conditions	Min.	Typ.	Max.	Unit	Note	White Luminance @50-Hz/60-Hz	-	Center point	300	-	400	cd/m <sup>2</sup>	1.4	Black Panel Contrast	-	-	1000	-	1200	-	1.5	Viewing Angle	θV	Horizontal (θH) / Vertical (θV)	80	80	-	degree	1.6	Luminance Uniformity	U1	CR = 10.0um <sup>2</sup>	80	80	-	%	A.9	Luminance Uniformity	U2	CR = 10.0um <sup>2</sup>	80	80	-	%	A.9	Luminance Uniformity	U3	CR = 10.0um <sup>2</sup>	80	80	-	%	A.9	
Item	Symbol	Conditions	Min.	Typ.	Max.	Unit	Note																																																																																																													
White Luminance @50-Hz/60-Hz	-	Center point	300	-	400	cd/m <sup>2</sup>	1.4																																																																																																													
Black Panel Contrast	-	-	1000	-	1200	-	1.5																																																																																																													
Viewing Angle	θV	Horizontal (θH) / Vertical (θV)	80	80	-	degree	1.6																																																																																																													
Luminance Uniformity	U1	CR = 10.0um <sup>2</sup>	80	80	-	%	A.9																																																																																																													
Luminance Uniformity	U2	CR = 10.0um <sup>2</sup>	80	80	-	%	A.9																																																																																																													
Luminance Uniformity	U3	CR = 10.0um <sup>2</sup>	80	80	-	%	A.9																																																																																																													
Item	Symbol	Conditions	Min.	Typ.	Max.	Unit	Note																																																																																																													
White Luminance @50-Hz/60-Hz	-	Center point	300	-	400	cd/m <sup>2</sup>	1.4																																																																																																													
Black Panel Contrast	-	-	1000	-	1200	-	1.5																																																																																																													
Viewing Angle	θV	Horizontal (θH) / Vertical (θV)	80	80	-	degree	1.6																																																																																																													
Luminance Uniformity	U1	CR = 10.0um <sup>2</sup>	80	80	-	%	A.9																																																																																																													
Luminance Uniformity	U2	CR = 10.0um <sup>2</sup>	80	80	-	%	A.9																																																																																																													
Luminance Uniformity	U3	CR = 10.0um <sup>2</sup>	80	80	-	%	A.9																																																																																																													

## 1. Handling Precautions

- 1) Since front polarizer is easily damaged, pay attention not to scratch it.
- 2) Be sure to turn off power supply when inserting or disconnecting from input connector.
- 3) Wipe off water drop immediately. Long contact with water may cause discoloration or spots.
- 4) When the panel surface is soiled, wipe it with absorbent cotton or other soft cloth.
- 5) Since the panel is made of glass, it may break or crack if dropped or bumped on hard surface.
- 6) Since CMOS LSI is used in this module, take care of static electricity and insure human earth when handling.
- 7) Do not open nor modify the Module Assembly.
- 8) Do not press the reflector sheet at the back of the module to any directions.
- 9) At the insertion or removal of the Signal Interface Connector, be sure not to rotate nor tilt the Interface Connector of the TFT Module.
- 10) After installation of the TFT Module into an enclosure (Notebook PC Bezel, for example), do not twist nor bend the TFT Module even momentary. At designing the enclosure, it should be taken into consideration that no bending/twisting forces are applied to the TFT Module from outside. Otherwise the TFT Module may be damaged.
- 11) Small amount of materials having no flammability grade is used in the LCD module. The LCD module should be supplied by power complied with requirements of Limited Power Source (IEC60950 or UL1950), or be applied exemption.
- 12) Disconnecting power supply before handling LCD modules, it can prevent electric shock, DO NOT TOUCH the electrode parts, cables, connectors and LED circuit part of TFT module that a LED light bar build in as a light source of back light unit. It can prevent electrostatic breakdown.

## 2. General Description

G133HAN02.0 is a Color Active Matrix Liquid Crystal Display composed of a TFT LCD panel, a driver circuit, and LED backlight system. The screen format is intended to support the 16:9 FHD, 1920(H) x1080(V) screen and 16.2M colors with LED backlight driving circuit. All input signals are eDP (Embedded DisplayPort) interface compatible.

G133HAN02.0 is designed for industrial display applications.

### 2.1 General Specification

The following items are characteristics summary on the table at 25 °C condition:

Items	Unit	Specifications			
Screen Diagonal	[mm]	336.71			
Active Area	[mm]	293.472x165.078			
Pixels H x V		1920x3(RGB) x 1080			
Pixel Pitch	[mm]	0.1529 x 0.1529			
Pixel Format		R.G.B. Vertical Stripe			
Display Mode		Normally Black			
White Luminance (I <sub>LED</sub> =24mA) (Note: I <sub>LED</sub> is LED current)	[cd/m <sup>2</sup> ]	400 typ. <b>(center point)</b>			
Luminance Uniformity		1.25 max. (5 points)			
Contrast Ratio		800 typ			
Response Time	[ms]	27 typ / 35 Max			
Nominal Input Voltage VDD	[Volt]	+3.3 typ.			
Power Consumption	[Watt]	Logic Power max :0.8W @VDD 3.3V White pattern Backlight Power max :3.38W @ VLED 12V in			
Weight	[Grams]	280 max			
Physical Size <b>Include bracket</b>	[mm]		<b>Min.</b>	<b>Typ.</b>	<b>Max.</b>
		<b>Length</b>	<b>194.8</b>	<b>195.3</b>	<b>195.8</b>
		<b>Width</b>	<b>305.8</b>	<b>306.3</b>	<b>306.8</b>
		<b>Thickness</b>	<b>-</b>	<b>-</b>	<b>3.0 (Panel Side) 3.2 (PCBA Side)</b>
Electrical Interface		2 Lane eDP 1.2			





# Product Specification

AU OPTRONICS CORPORATION

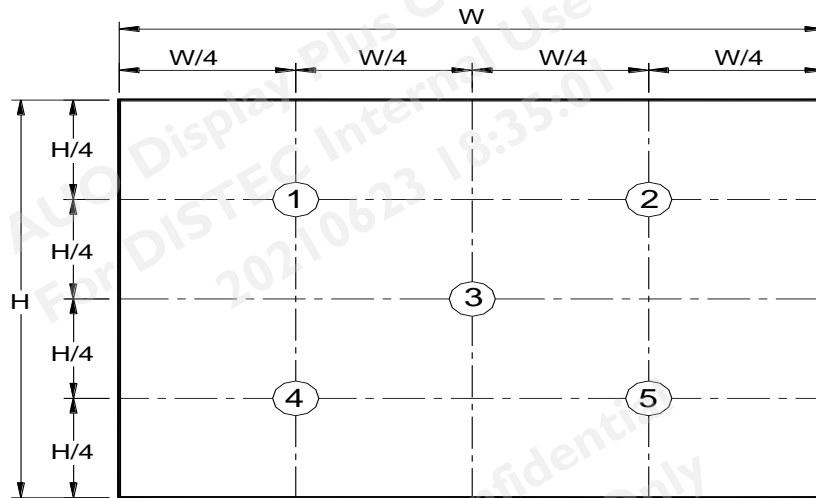
Glass Thickness	[mm]	0.4
Surface Treatment		Anti-Glare
Support Color		16.2M colors
Temperature Range Operating Storage (Non-Operating)	[°C] [°C]	0 to +50 -20 to +60
RoHS Compliance		RoHS Compliance

## 2.3 Optical Characteristics

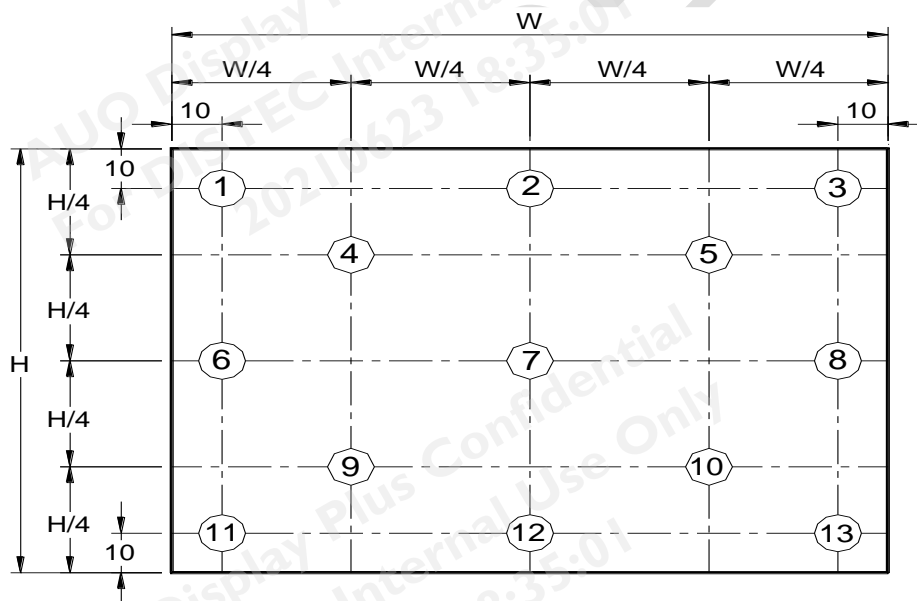
The optical characteristics are measured under stable conditions at 25°C (Room Temperature) :

Item	Symbol	Conditions	Min.	Typ.	Max.	Unit	Note
White Luminance ILED=20mA (Base Panel Only)		Center point	320	400	-	cd/m2	1, 4, 5.
Viewing Angle	θR θL	Horizontal (Right) CR = 10 (Left)	80 80	89 89	- -	degree	4, 9
	ψH ψL	Vertical (Upper) CR = 10 (Lower)	80 80	89 89	- -		
Luminance Uniformity	δ5P	5 Points	-	-	1.25		1, 3, 4
Luminance Uniformity	δ13P	13 Points	-	-	1.6		2, 3, 4
Contrast Ratio	CR		600	800	-		4, 6
Cross talk	%				1.5		4, 7
Response Time	TRT	Rising + Falling	-	27	-		
Color / Chromaticity Coordinates	Red	Rx	0.545	0.575	0.605	-	4
		Ry	0.305	0.335	0.365		
	Green	Gx	0.310	0.340	0.370		
		Gy	0.550	0.580	0.610		
	Blue	Bx	0.130	0.160	0.190		
		By	0.085	0.115	0.145		
	White	Wx	0.283	0.313	0.343		
		Wy	0.299	0.329	0.359		
NTSC	%		-	45	-		

**Note 1:** 5 points position (Ref: Active area)



**Note 2:** 13 points position (Ref: Active area)



**Note 3:** The luminance uniformity of 5 or 13 points is defined by dividing the maximum luminance values by the minimum test point luminance

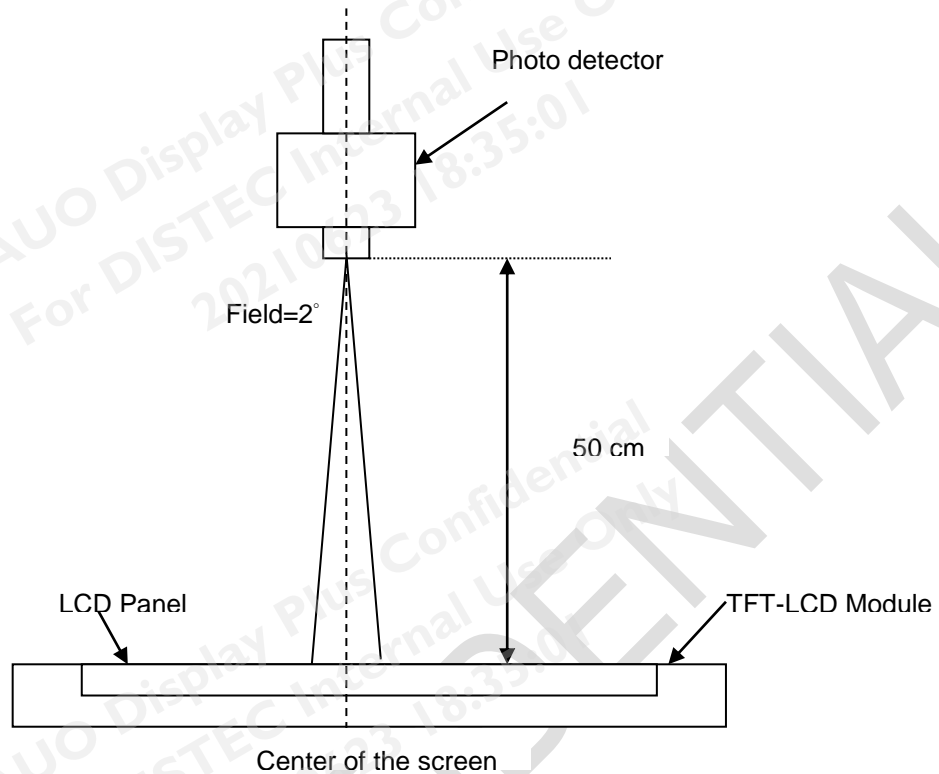
$$\delta_{w5} = \frac{\text{Maximum Brightness of five points}}{\text{Minimum Brightness of five points}}$$

$$\delta_{w13} = \frac{\text{Maximum Brightness of thirteen points}}{\text{Minimum Brightness of thirteen points}}$$

**Note 4:** Measurement method

The LCD module should be stabilized at given temperature for 30 minutes to avoid abrupt temperature change during measuring. In order to stabilize the luminance, the measurement should be executed after lighting

Backlight for 30 minutes in a stable, windless and dark room, and it should be measured in the center of screen.



**Note 5 :** Definition of Average Luminance of White ( $Y_L$ ):

Measure the luminance of gray level 63 at 5 points ·  $Y_L = [L(1) + L(2) + L(3) + L(4) + L(5)] / 5$

$L(x)$  is corresponding to the luminance of the point X at Figure in Note (1).

**Note 6 :** Definition of contrast ratio:

Contrast ratio is calculated with the following formula.

$$\text{Contrast ratio (CR)} = \frac{\text{Brightness on the "White" state}}{\text{Brightness on the "Black" state}}$$

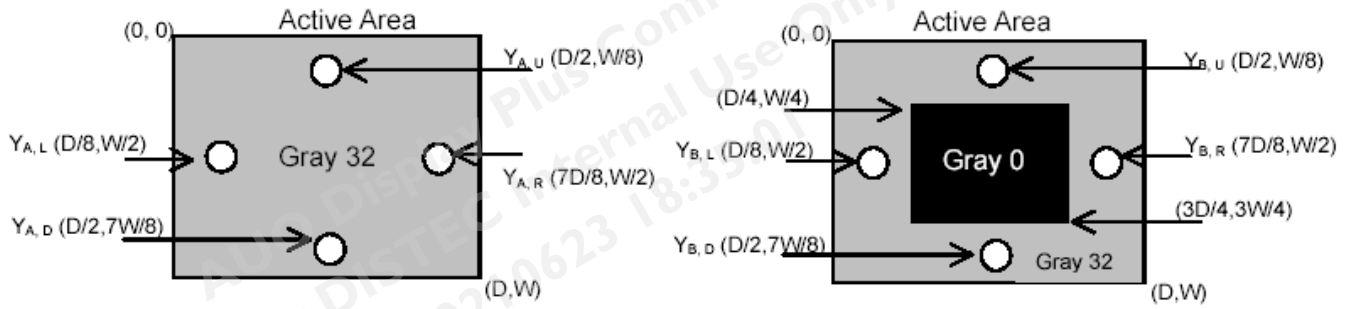
**Note 7 :** Definition of Cross Talk (CT)

$$CT = |Y_B - Y_A| / Y_A \times 100 (\%)$$

Where

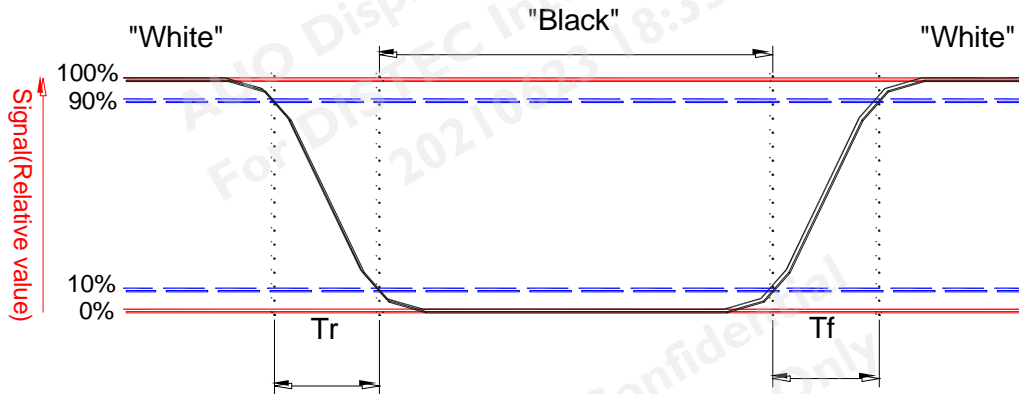
$Y_A$  = Luminance of measured location without gray level 0 pattern (cd/m<sup>2</sup>)

$Y_B$  = Luminance of measured location with gray level 0 pattern (cd/m<sup>2</sup>)



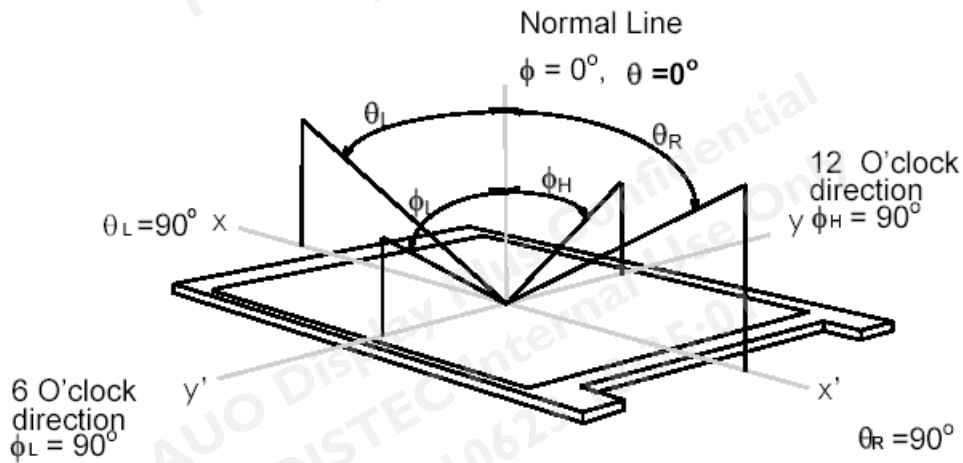
**Note 8:** Definition of response time:

The output signals of BM-7 or equivalent are measured when the input signals are changed from "Black" to "White" (falling time) and from "White" to "Black" (rising time), respectively. The response time interval between the 10% and 90% of amplitudes. Refer to figure as below.



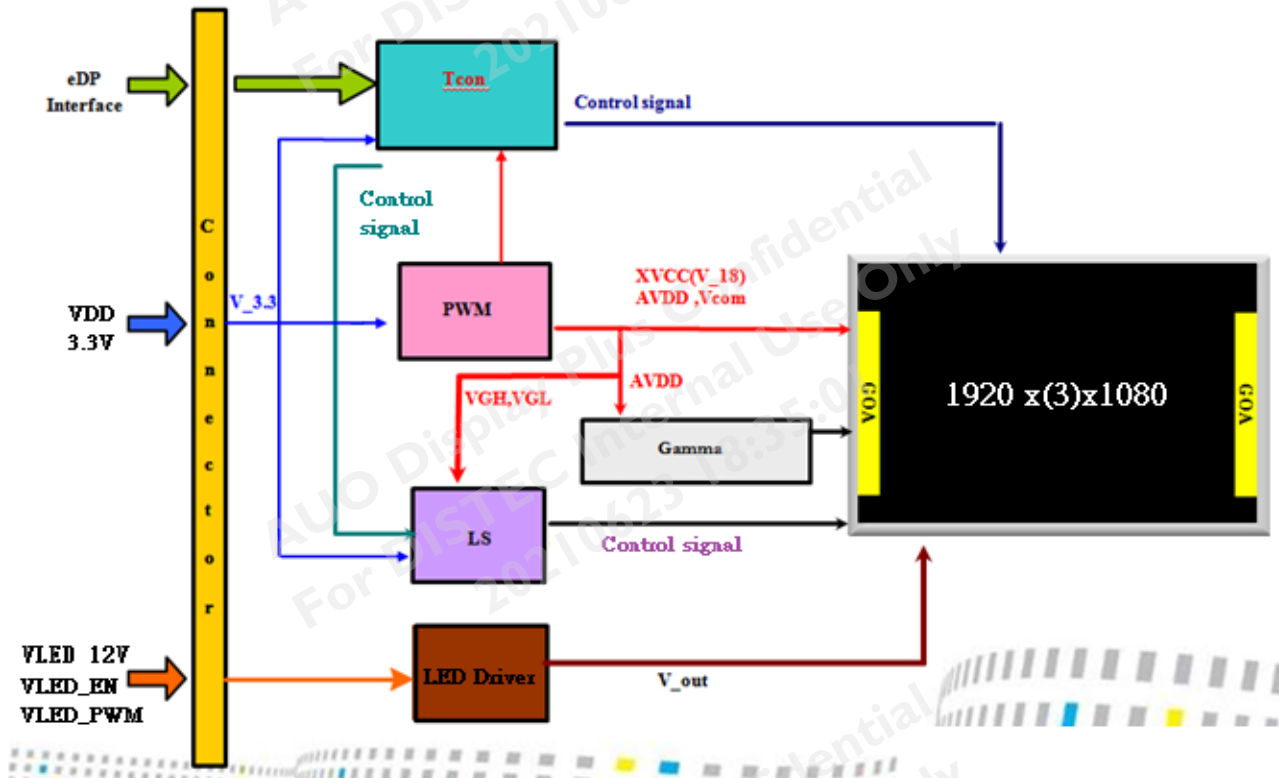
**Note 9.** Definition of viewing angle

Viewing angle is the measurement of contrast ratio  $\geq 10$ , at the screen center, over a 180° horizontal and 180° vertical range (off-normal viewing angles). The 180° viewing angle range is broken down as follows; 90° ( $\theta$ ) horizontal left and right and 90° ( $\Phi$ ) vertical, high (up) and low (down). The measurement direction is typically perpendicular to the display surface with the screen rotated about its center to develop the desired measurement viewing angle.



## 3. Functional Block Diagram

### Schematic Block Diagram



## 4. Absolute Maximum Ratings

An absolute maximum rating of the module is as following:

### 4.1 Absolute Ratings of TFT LCD Module

Item	Symbol	Min	Max	Unit	Conditions
Logic/LCD Drive Voltage	VDD	-0.3	4	[Volt]	Note 1,2

### 4.2 Absolute Ratings of Environment

Item	Symbol	Min	Max	Unit	Conditions
Operating Temperature	TOP	0	+50	[°C]	Note 4
Operation Humidity	HOP	5	95	[%RH]	Note 4
Storage Temperature	TST	-20	+60	[°C]	Note 4

Storage Humidity	HST	5	95	[%RH]	Note 4
------------------	-----	---	----	-------	--------

Note 1: At Ta (25°C )

Note 2: Permanent damage to the device may occur if exceed maximum values

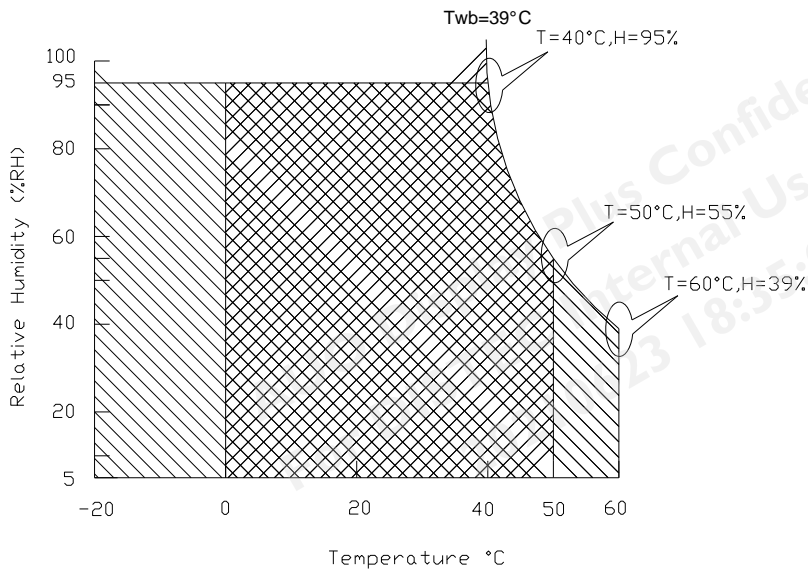
Note 3: LED specification refer to section 5.2

Note 4: For quality performance, please refer to AUO IIS (Incoming Inspection Standard).

Note 5: The packing material of system forbid to involve ammonium component

Note 6: The reliability test conditions of system do not exceed the verified conditions of TFT module

Note 7: Be sure the panel test condition do not exceed the component limitation of TFT module(TN Liquid crystal , for example)





## 5. Electrical Characteristics

### 5.1 TFT LCD Module

#### 5.1.1 Power Specification

Input power specifications are as follows:

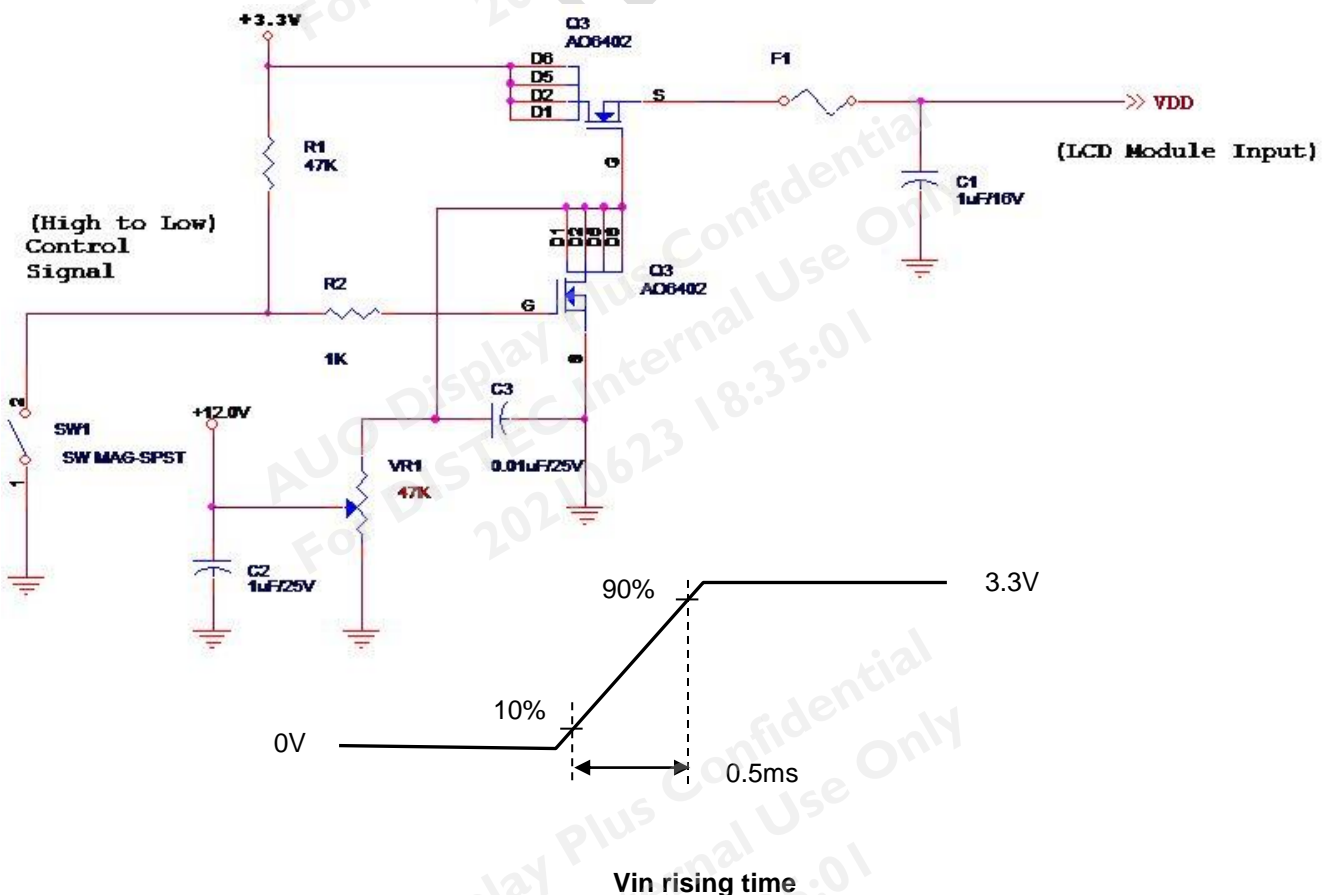
The power specification are measured under 25°C and frame frequency under 60Hz

Symble	Parameter	Min	Typ	Max	Units	Note
VDD	Logic/LCD Drive Voltage	3.0	3.3	3.6	[Volt]	Note 1
PDD	VDD Power	-	0.7	0.8	[Watt]	Note 2
IDD	IDD Current	-	231	242	[mA]	Note 2
IRush	Inrush Current	-	-	1500	[mA]	Note 3
VDDrp	Allowable Logic/LCD Drive Ripple Voltage	-	-	100	[mV] p-p	

Note 1 : Measure in panel VDD

Note 2 : Maximum Measurement Condition : White pattern at VDD: 3.3V driving voltage.

Note 3 : Measure Condition



## 5.1.2 Signal Electrical Characteristics

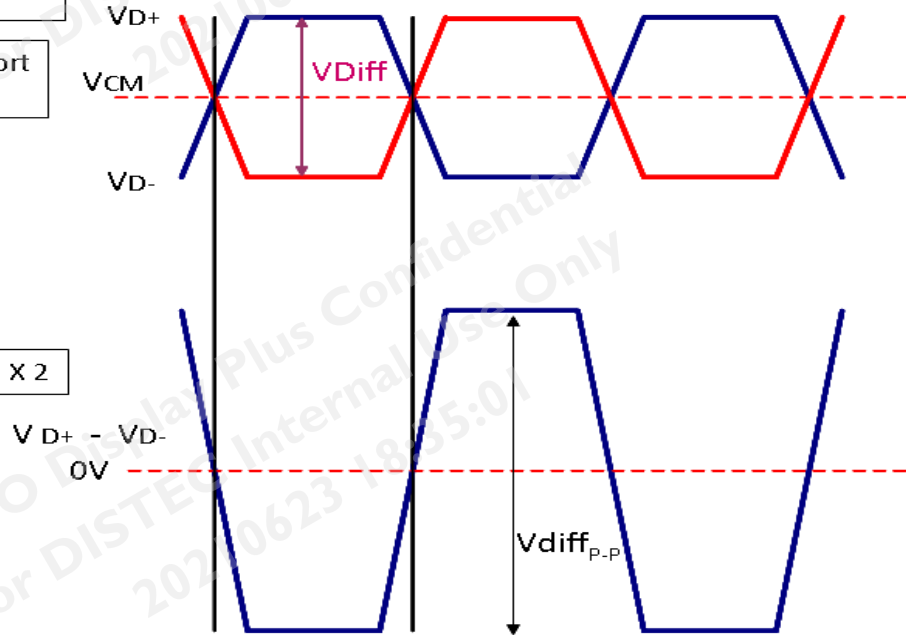
Signal electrical characteristics are as follows;

### Display Port main link signal:

Differential pair VD+ , VD-  
Which is one Display port  
Main link

VCM of Display port  
Main link

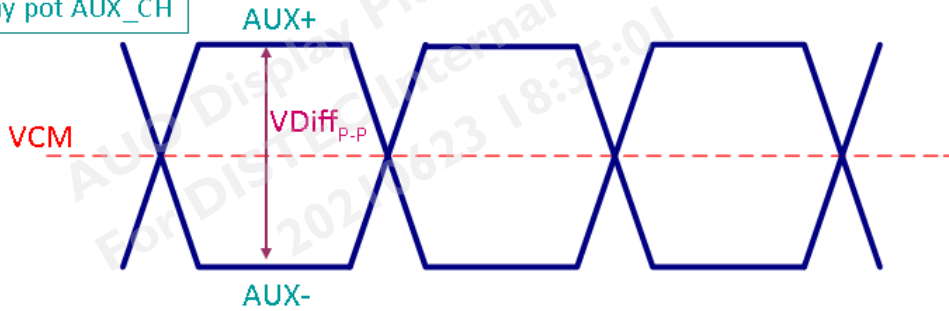
$$V_{diffP-P} = [(VD+) - (VD-)] \times 2$$



Display port main link					
		Min	Typ	Max	unit
VCM	RX input DC Common Mode Voltage		0		V
VDiffP-P	Peak-to-peak Voltage at a receiving Device	150		1380	mV

## Display Port AUX\_CH signal:

Differential AUX+ , AUX-  
Which is Display port AUX\_CH



Display port AUX_CH					
		Min	Typ	Max	unit
VCM	AUX DC Common Mode Voltage		0		V
VDiff <sub>P-P</sub>	AUX Peak-to-peak Voltage at a receiving Device	290		1380	mV

## Display Port VHPD signal:

Display port VHPD					
		Min	Typ	Max	unit
VHPD	HPD Voltage	3	-	3.6	V

## 5.2 Backlight Unit

### 5.2.1 LED characteristics

Parameter	Symbol	Min	Typ	Max	Units	Condition
Backlight Power Consumption	P <sub>LED</sub>	-	-	3.38	[Watt]	(Ta=25°C), Note 1
LED Life-Time	N/A	30,000	-	-	Hour	(Ta=25°C), Note 2

**Note 1:** Calculator value for reference  $P_{LED} = VF$  (Normal Distribution) \*  $IF$  (Normal Distribution) / Efficiency

**Note 2:** The LED life-time define as the estimated time to 50% degradation of initial luminous.

### 5.2.2 Backlight input signal characteristics

Parameter	Symbol	Min	Typ	Max	Units	Remark
LED Power Supply	V <sub>LED</sub> (Note 1)	10.0	12.0	13.2	[Volt]	Define as Connector Interface (Ta=25°C)
LED Enable Input High Level	V <sub>LED_EN</sub> (Note 2)	2.2	-	5.5	[Volt]	
LED Enable Input Low Level		-	-	0.6	[Volt]	
PWM Logic Input High Level	V <sub>LED_PWM</sub> (Note 2)	2.2	-	5.5	[Volt]	
PWM Logic Input Low Level		-	-	0.6	[Volt]	
PWM Input Frequency	FPWM	200	1K	20K	Hz	
PWM Duty Ratio	Duty	1 (Note 3)	--	100	%	

**Note 1 :** Measured in panel V<sub>LED</sub>

**Note 2 :** Recommend system pull up/down resistor no bigger than 10kohm



# Product Specification

AU OPTRONICS CORPORATION

**Note 3 :** If the PWM duty ratio(min) is set between 5% to 1% , the PWM input frequency should be set below 1KHz .  
The brightness-duty characteristic might not be able to keep in it's linearity if the dimming control is operated in 1% to 5% range.

AUO Display Plus Confidential  
For DISTEC Internal Use Only  
2021/06/23 18:35:01

AUO Display Plus Confidential  
For DISTEC Internal Use Only  
2021/06/23 18:35:01

AUO CONFIDENTIAL

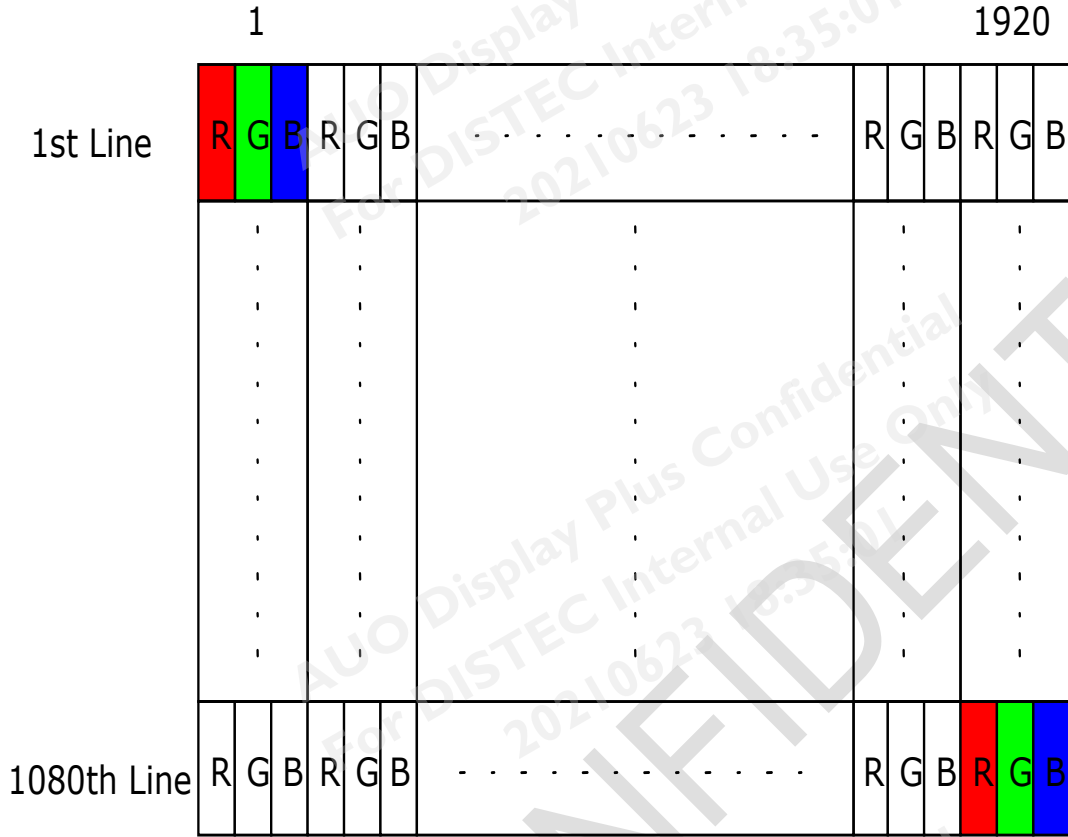
AUO Display Plus Confidential  
For DISTEC Internal Use Only  
2021/06/23 18:35:01

AUO Display Plus Confidential  
For DISTEC Internal Use Only  
2021/06/23 18:35:01

## 6. Signal Interface Characteristic

### 6.1 Pixel Format Image

Following figure shows the relationship of the input signals and LCD pixel format.



## 6.2 Integration Interface Requirement

### 6.2.1 Connector Description

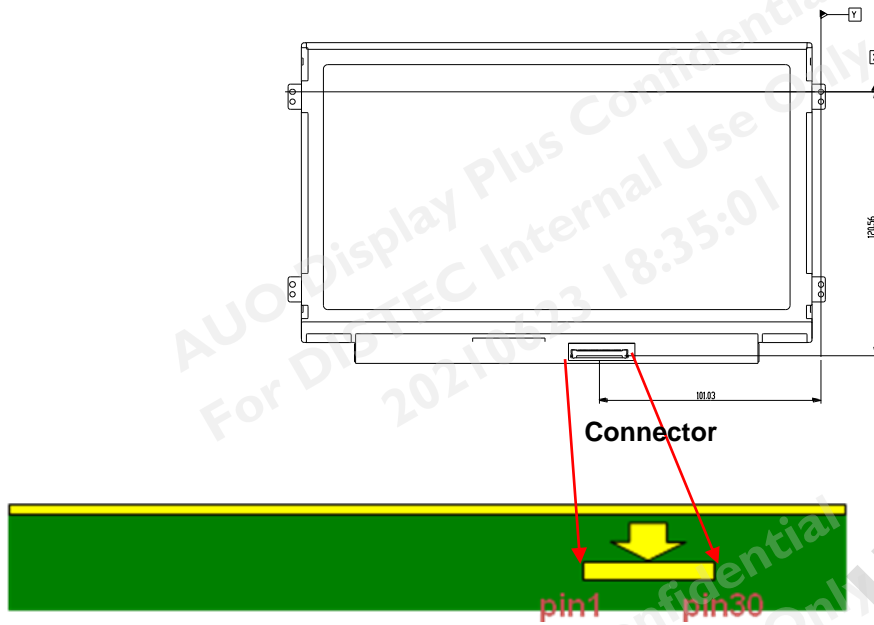
Physical interface is described as for the connector on module.

These connectors are capable of accommodating the following signals and will be following components.

Connector Name / Designation	For Signal Connector
Manufacturer	IPEX
Type / Part Number	IPEX 20765-030E-11A (0.5mm pitch)
Mating Housing/Part Number	IPX or compatible

### 6.2.2 Pin Assignment

Pin	Symbol	Description
1	NC	Reserved for LCD supplier
2	GND	High Speed Ground
3	Lane1_N	Complement Signal Link Lane 1
4	Lane1_P	True Signal Link Lane 1
5	GND	High Speed Ground
6	Lane0_N	Complement Signal Link Lane 0
7	Lane0_P	True Signal Link Lane 0
8	GND	High Speed Ground
9	AUX_CH_P	True Signal Auxiliary Channel
10	AUX_CH_N	Complement Signal Auxiliary Channel
11	GND	High Speed Ground
12	VDD	LCD logic power
13	VDD	LCD logic power
14	NC	LCD Panel Self Test Enable (Optional)
15	GND	LCD logic and driver ground
16	GND	LCD logic and driver ground
17	HPD	HPD Signal pin
18	BL_GND	LED Backlight ground
19	BL_GND	LED Backlight ground
20	BL_GND	LED Backlight ground
21	BL_GND	LED Backlight ground
22	VLED_EN	LED Backlight control on/off control
23	VLED_PWM	System PWM signal input for dimming
24	NC	Reserved for LCD supplier
25	NC	Reserved for LCD supplier
26	VLED	LED Backlight Power
27	VLED	LED Backlight Power
28	VLED	LED Backlight Power
29	VLED	LED Backlight Power
30	NC	Reserved for LCD supplier



**Note1:** Start from right side.

**Note2:** Input signals shall be low or High-impedance state when VDD is off.  
Internal circuit of **eDP inputs** are as following.



## 6.3 Interface Timing

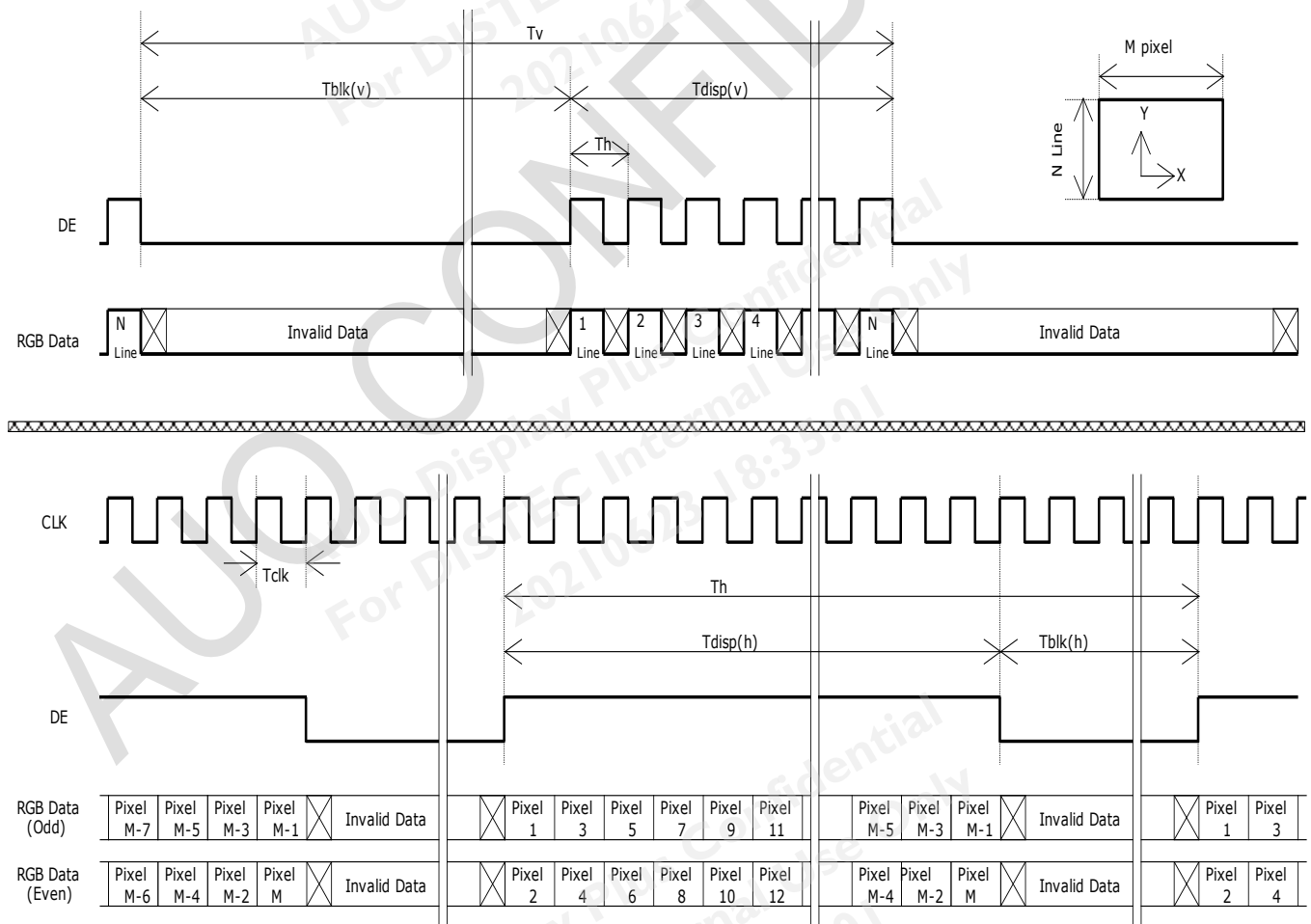
### 6.3.1 Timing Characteristics

Basically, interface timings should match the 1920x1080 /60Hz manufacturing guide line timing.

Parameter	Symbol	Min.	Typ.	Max.	Unit	
Frame Rate	-		60	-	Hz	
Clock frequency	$1/T_{Clock}$	68	70.5	75.9	MHz	
Vertical Section	Period	$T_V$	1100	1116	1150	$T_{Line}$
	Active	$T_{VD}$	1080			
	Blanking	$T_{VB}$	20	36	70	
Horizontal Section	Period	$T_H$	1030	1052	1100	$T_{Clock}$
	Active	$T_{HD}$	960			
	Blanking	$T_{HB}$	70	92	140	

Note 1 : The above is as optimized setting

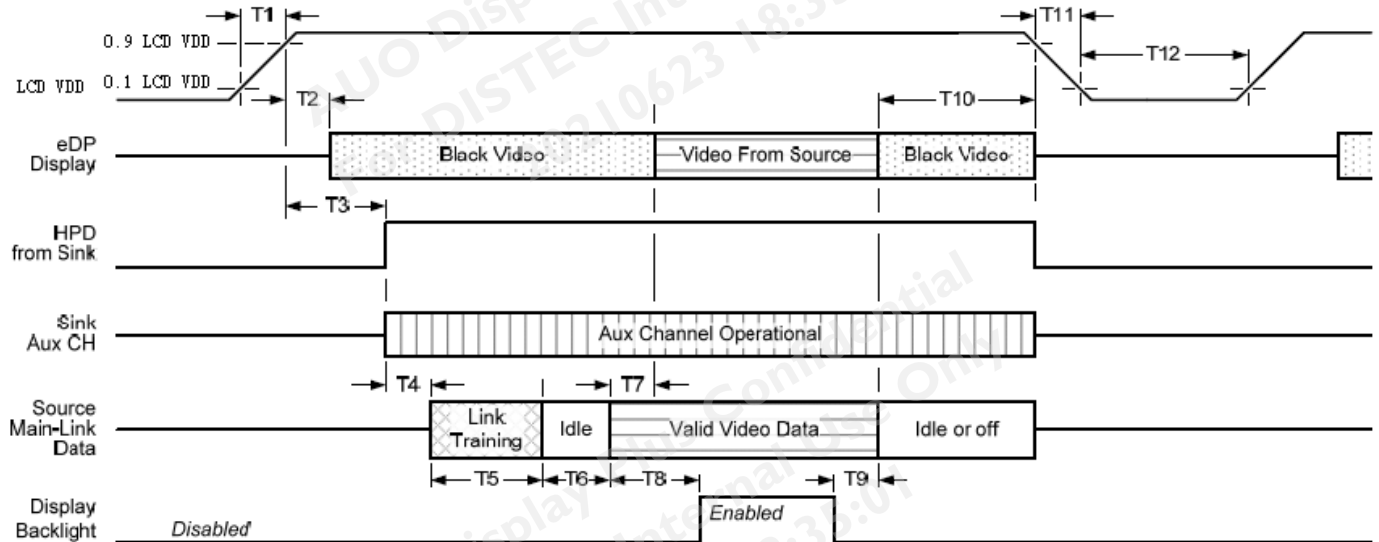
### 6.3.2 Timing diagram



## 6.4 Power ON/OFF Sequence

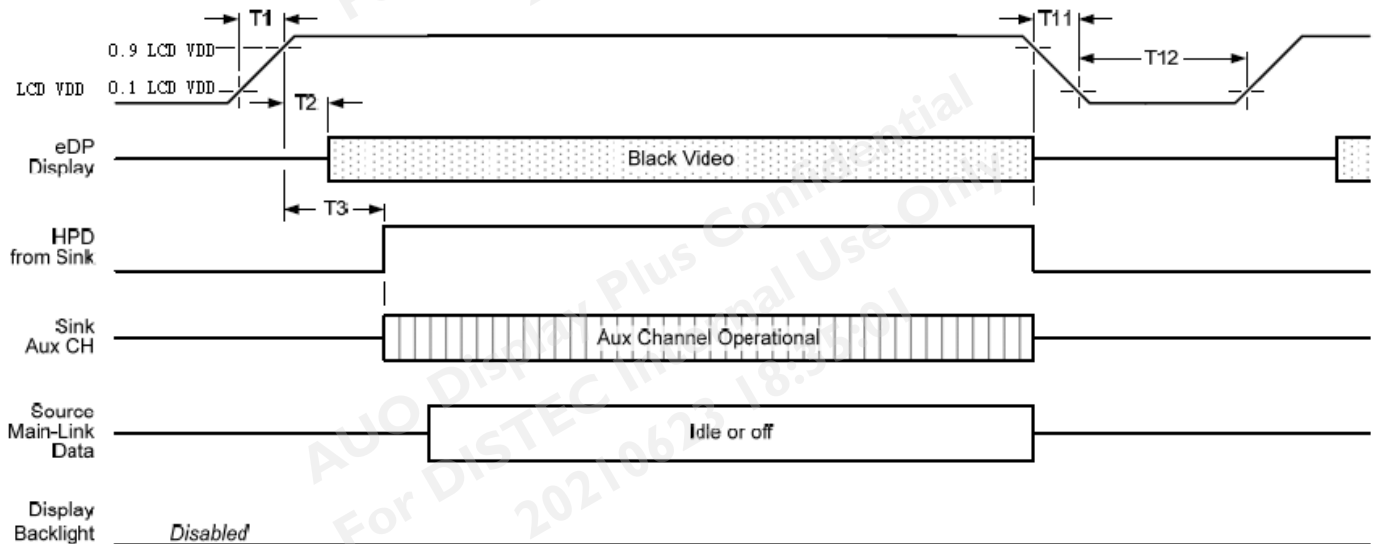
Power on/off sequence is as follows. Interface signals and LED on/off sequence are also shown in the chart. Signals from any system shall be Hi-Z state or low level when VDD is off

### Display Port panel power sequence:



### Display port interface power up/down sequence, normal system operation

#### Display Port AUX\_CH transaction only:



### Display port interface power up/down sequence, AUX\_CH transaction only



# Product Specification

AU OPTRONICS CORPORATION

## Display Port panel power sequence timing parameter:

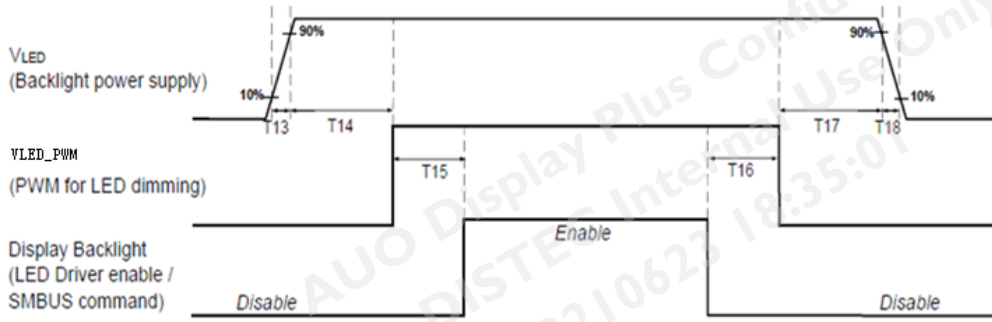
Timing parameter	Description	Reqd. by	Limits			Notes
			Min.	Typ.	Max.	
T1	power rail rise time, 10% to 90%	source	0.5ms		10ms	
T2	delay from LCDVDD to black video generation	sink	0ms		200ms	prevents display noise until valid video data is received from the source
T3	delay from LCDVDD to HPD high	sink	0ms		200ms	sink AUX_CH must be operational upon HPD high.
T4	delay from HPD high to link training initialization	source				allows for source to read link capability and initialize.
T5	link training duration	source				dependant on source link to read training protocol.
T6	link idle	source				Min accounts for required BS-Idle pattern. Max allows for source frame synchronization.
T7	delay from valid video data from source to video on display	sink	0ms		50ms	max allows sink validate video data and timing.
T8	delay from valid video data from source to backlight enable	source				source must assure display video is stable.
T9	delay from backlight disable to end of valid video data	source				source must assure backlight is no longer illuminated.
T10	delay from end of valid video data from source to power off	source	0ms		500ms	
T11	power rail fall time, 90% to 10%	source			10ms	
T12	power off time	source	500ms			

**Note 1:** The sink must include the ability to generate black video autonomously. The sink must automatically enable black video under the following conditions:  
 -upon LCD VDD power on (with in T2 max)-when the "Novideostream\_Flag" (VB-ID Bit 3) is received from the source (at the end of T9).  
 -when no main link data, or invalid video data, is received from the source. Black video must be displayed within 64ms (typ) from the start of either condition. Video data can be deemed invalid based on MSA and timing information, for example.

**Note 2:** The sink may implement the ability to disable the black video function, as described in Note 1, above, for system development and debugging purpose.

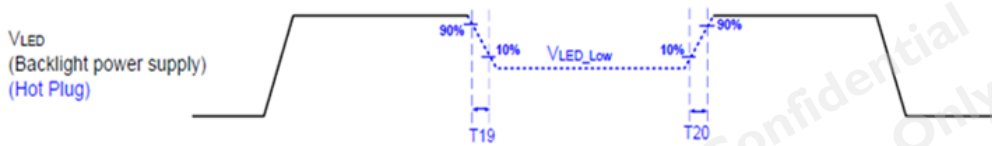
**Note 3:** The sink must support AUX\_CH polling by the source immediately following LCD VDD power on without causing damage to the sink device (the source can re-try if the sink is not ready). The sink must be able to respond to an AUX\_CH transaction with the time specified within T3 max.

## Display Port panel B/L power sequence timing parameter:



	Min (ms)	Max (ms)
T13	0.2	10
T14	0	-
T15	0	-
T16	0	-
T17	0	-
T18	0.2	10
T19	1*	-
T20	1*	-

Note : When the adapter is hot plugged, the backlight power supply sequence is shown as below.



Seamless change:  $T19/T20 = 5 \times T_{PWM}^*$

\* $T_{PWM} = 1/PWM \text{ Frequency}$

Note 1 : If  $T14, T15, T16, T17 < 10ms$  , The display garbage may occur. We suggest  $T14, T15, T16, T17 > 10ms$  to avoid the display garbage.

Note 2 : If  $T13$  or  $T18 < 0.5ms$  , the inrush current may cause the damage of fuse. If  $T13$  or  $T18 < 0.5ms$  , the inrush current  $I^2t$  is under typical melt of fuse Spec. , there is no mentioned problem.

## 7. Panel Reliability Test

### 7.1 Vibration Test

**Test Spec:**

- Test method: Non-Operation
- Acceleration: 1.5 G
- Frequency: 10 - 500Hz Random
- Sweep: 30 Minutes each Axis (X, Y, Z)

### 7.2 Shock Test

**Test Spec:**

- Test method: Non-Operation
- Acceleration: 220 G , Half sine wave
- Active time: 2 ms
- Pulse: X,Y,Z .one time for each side

### 7.3 Reliability Test

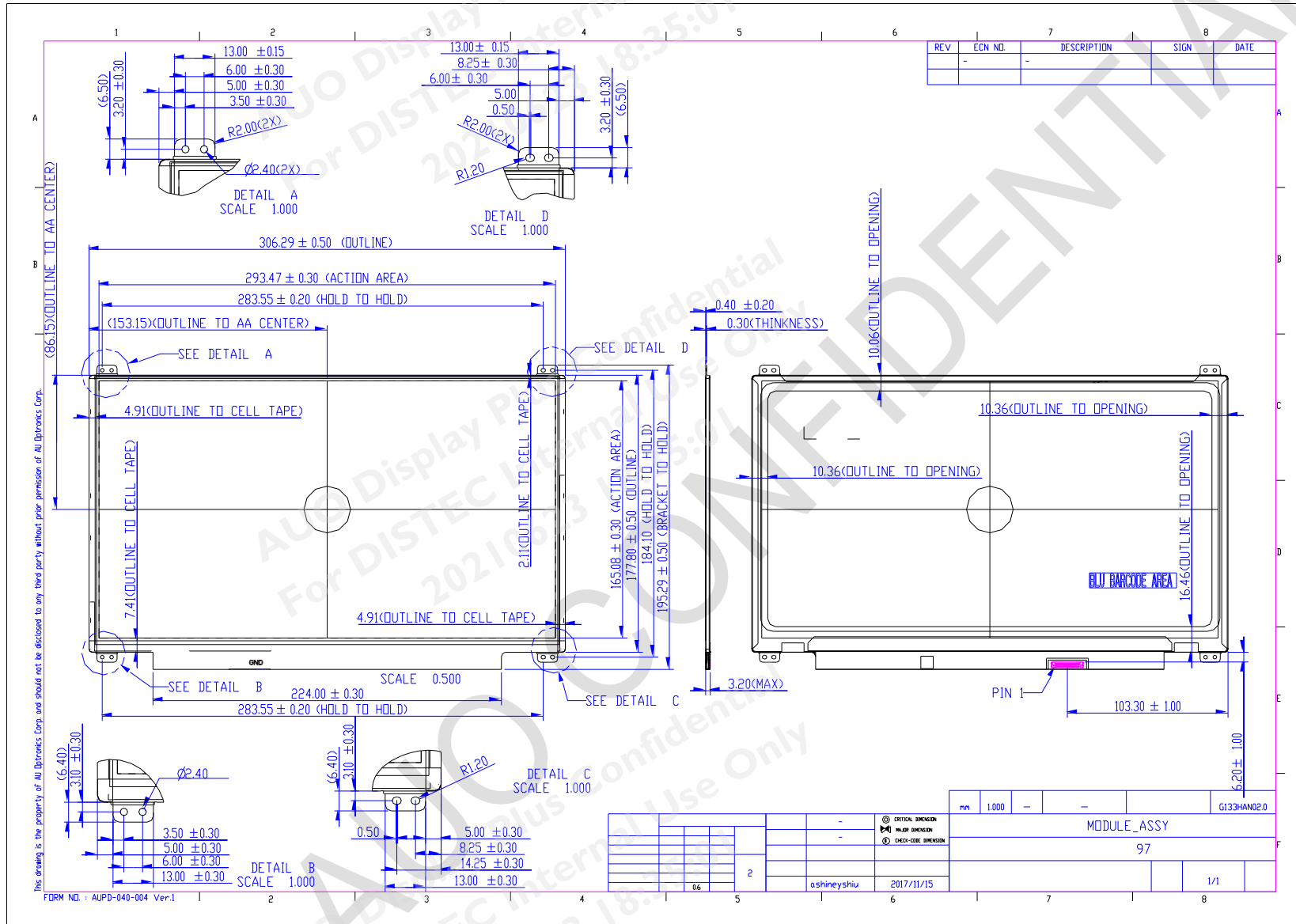
Items	Required Condition	Note
Temperature Humidity Bias	Ta= 40°C, 90%RH, 300h	
High Temperature Operation	Ta= 50°C, Dry, 300h	
Low Temperature Operation	Ta=0°C, 300h	
High Temperature Storage	Ta= 60°C, 300h	
Low Temperature Storage	Ta= -20°C, 250h	
Thermal Shock Test	Ta=-20°C(30min) ~60°C(30min), 100cycles condition.	
ESD	Contact : ±8 KV Air : ±15 KV	Note 1

**Note1:** According to EN 61000-4-2 , ESD class B: Some performance degradation allowed. No data lost  
Self-recoverable. No hardware failures.

**Remark:** MTBF (Excluding the LED): 30,000 hours with a confidence level 90%

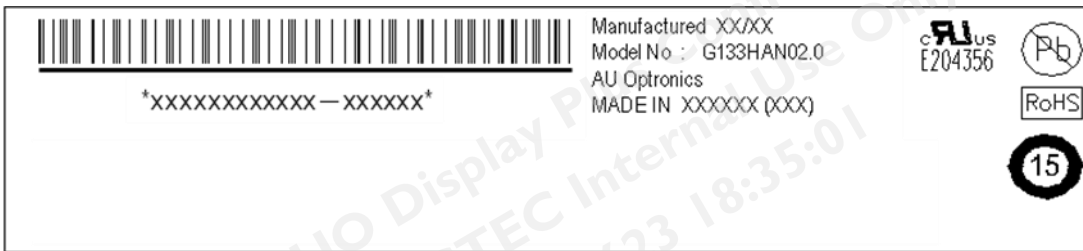
## 8. Mechanical Characteristics

### 8.1 Outline Dimension



## 9. Shipping and Package

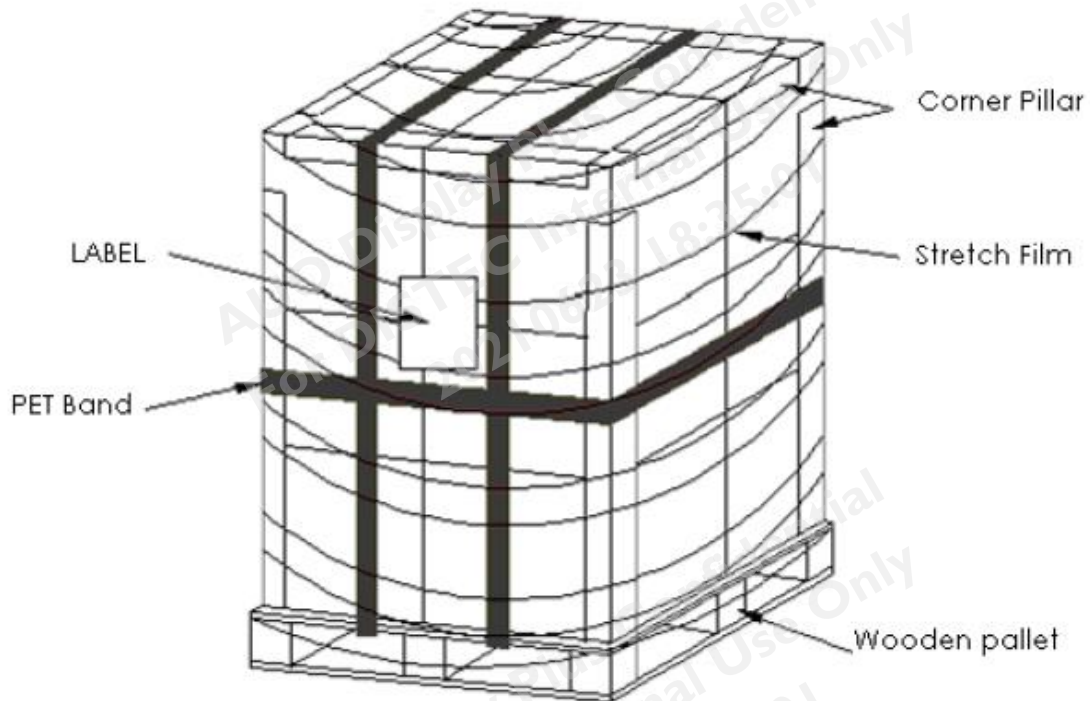
### 9.1 Shipping Label Format



### 9.2 Carton Package



### 9.3 Shipping Package of Palletizing Sequence



Item	Specification			Remark
	Q'ty	Dimension	Weight (kg)	
Packing Material	1	446(L)mm x373(W)mm x 293(H)mm	1.4	TRAY +Box
Packing	45 pcs/carton	446(L)mm x373(W)mm x 293(H)mm	11.8	with panel & cushion
Pallet	1	1150(L)mm x 910(W)mm x 132(H)mm	14	
Pallet after Packing	boxes/pallet	1150(L)mm x 910(W)mm x 1304(H)mm	300	24 carton



## 10. Appendix: EDID Description

Address	FUNCTION	Value
HEX		HEX
00	Header	00
01		FF
02		FF
03		FF
04		FF
05		FF
06		FF
07		00
08	EISA Manuf. Code LSB	06
09	Compressed ASCII	AF
0A	Product Code	2D
0B	hex, LSB first	20
0C	32-bit ser #	00
0D		00
0E		00
0F		00
10	Week of manufacture	00
11	Year of manufacture	1B
12	EDID Structure Ver.	01
13	EDID revision #	04
14	<b>Video input def.</b> ( <i>digital I/P, non-TMDS, CRGB</i> )	A0
15	<b>Max H image size</b> ( <i>rounded to cm</i> )	1D
16	<b>Max V image size</b> ( <i>rounded to cm</i> )	11
17	<b>Display Gamma</b> ( <i>=(gamma*100)-100</i> )	78
18	<b>Feature support</b> ( <i>no DPMS, Active OFF, RGB, tmg Blk#1</i> )	02
19	Red/green low bits ( <b>Lower 2:2:2:2 bits</b> )	59
1A	Blue/white low bits ( <b>Lower 2:2:2:2 bits</b> )	B5
1B	Red x ( <b>Upper 8 bits</b> )	92
1C	Red y/ highER 8 bits	58
1D	Green x	58
1E	Green y	92
1F	Blue x	28
20	Blue y	1E
21	White x	50
22	White y	54
23	Established timing 1	00
24	Established timing 2	00
25	Established timing 3	00
26	Standard timing #1	01
27		01
28	Standard timing #2	01
29		01
2A	Standard timing #3	01
2B		01
2C	Standard timing #4	01

2D		01
2E	Standard timing #5	01
2F		01
30	Standard timing #6	01
31		01
32	Standard timing #7	01
33		01
34	Standard timing #8	01
35		01
36	Pixel Clock/10000 LSB	14
37	Pixel Clock/10000 USB	37
38	Horz active <b>Lower 8bits</b>	80
39	Horz blanking <b>Lower 8bits</b>	B8
3A	HorzAct:HorzBlnk <b>Upper 4:4 bits</b>	70
3B	Vertical Active <b>Lower 8bits</b>	38
3C	Vertical Blanking <b>Lower 8bits</b>	24
3D	Vert Act : Vertical Blanking <b>(upper 4:4 bit)</b>	40
3E	HorzSync. Offset	10
3F	HorzSync.Width	10
40	VertSync.Offset : VertSync.Width	3E
41	Horz&Vert Sync Offset/Width <b>Upper 2bits</b>	00
42	Horizontal Image Size <b>Lower 8bits</b>	25
43	Vertical Image Size <b>Lower 8bits</b>	A5
44	Horizontal & Vertical Image Size <b>(upper 4:4 bits)</b>	10
45	Horizontal Border <i>(zero for internal LCD)</i>	00
46	Vertical Border <i>(zero for internal LCD)</i>	00
47	Signal <i>(non-intr, norm, no stero, sep sync, neg pol)</i>	18
48	Detailed timing/monitor	00
49	descriptor #2	00
4A		00
4B		0F
4C		00
4D		00
4E		00
4F		00
50		00
51		00
52		00
53		00
54		00
55		00
56		00
57		00
58		00
59		20
5A	Detailed timing/monitor	00
5B	descriptor #3	00
5C		00
5D		FE

5E		00
5F	Manufacture	41
60	Manufacture	55
61	Manufacture	4F
62		0A
63		20
64		20
65		20
66		20
67		20
68		20
69		20
6A		20
6B		20
6C	Detailed timing/monitor	00
6D	descriptor #4	00
6E		00
6F		FE
70		00
71	Manufacture P/N	47
72	Manufacture P/N	31
73	Manufacture P/N	33
74	Manufacture P/N	33
75	Manufacture P/N	48
76	Manufacture P/N	41
77	Manufacture P/N	4E
78	Manufacture P/N	30
79	Manufacture P/N	32
7A	Manufacture P/N	2E
7B	Manufacture P/N	30
7C		20
7D		0A
7E	Extension Flag	00
7F	Checksum	08

Our company network supports you worldwide with offices in Germany, Austria, Switzerland, the UK and the USA. For more information please contact:

## Headquarters

### Germany



#### FORTEC Elektronik AG

Augsburger Str. 2b  
82110 Germering

Phone: +49 89 894450-0  
E-Mail: [info@fortecag.de](mailto:info@fortecag.de)  
Internet: [www.fortecag.de](http://www.fortecag.de)

## Fortec Group Members

### Austria



#### Distec GmbH Office Vienna

Nuschinggasse 12  
1230 Wien

Phone: +43 1 8673492-0  
E-Mail: [info@distec.de](mailto:info@distec.de)  
Internet: [www.distec.de](http://www.distec.de)

### Germany



#### Distec GmbH

Augsburger Str. 2b  
82110 Germering

Phone: +49 89 894363-0  
E-Mail: [info@distec.de](mailto:info@distec.de)  
Internet: [www.distec.de](http://www.distec.de)

### Switzerland



#### ALTRAC AG

Bahnhofstraße 3  
5436 Würenlos

Phone: +41 44 7446111  
E-Mail: [info@altrac.ch](mailto:info@altrac.ch)  
Internet: [www.altrac.ch](http://www.altrac.ch)

### United Kingdom



#### Display Technology Ltd.

Osprey House, 1 Osprey Court  
Hichingbrooke Business Park  
Huntingdon, Cambridgeshire, PE29 6FN

Phone: +44 1480 411600  
E-Mail: [info@displaytechnology.co.uk](mailto:info@displaytechnology.co.uk)  
Internet: [www.displaytechnology.co.uk](http://www.displaytechnology.co.uk)

### USA



#### Apollo Display Technologies, Corp.

87 Raynor Avenue,  
Unit 1 Ronkonkoma,  
NY 11779

Phone: +1 631 5804360  
E-Mail: [info@apolloDisplays.com](mailto:info@apolloDisplays.com)  
Internet: [www.apolloDisplays.com](http://www.apolloDisplays.com)