



ULF/ULH1503-I 15" TFT LCD, 500nits LED Backlight, 1024x768

The ULF/ULH1503-I is a 15 inch industrial grade LCD, with high brightness 500 nits, it produce sharp images, crisp text and lifelike colors. The Ubipixel LED backlight technology ensures high reliability and low power consumption, suitable for outdoor application, kiosk, factory automation, military, transportation and gaming application.

Key Features

- High Brightness 500 nits
- LED Backlight
- Low Power Consumption
- Wide Operation Temperature
- BL MTBF: 30,000 hours



Specifications

Model Name	ULF/ULH1503-I
Description	15" TFT LCD, 500 nits LED Backlight, 1024x768
Screen Size	15"
Display Area (mm)	304.100(H) x 228.100(V)
Brightness	500 cd/m ²
Resolution	1024x768
Aspect Ratio	4 : 3
Contrast Ratio	2400 : 1
Pixel Pitch (mm)	0.297(H) x 0.297(V)
Pixel Pre Inch (PPI)	85
Viewing Angle	176°(H),176°(V)
Color Saturation (NTSC)	79%
Display Colors	16.2M
Response Time (Typical)	23ms
Panel Interface	LVDS
AD Board Input Interface	VGA, DVI-D, HDMI
AD Board Input Power	DC12V
Power Consumption	5.6W (9.6W with AD Board)
OSD Key	4 Keys (Power Switch, Menu, +, -)
OSD Control	Brightness, Color, Contrast, Auto Turing, H/V Position...etc
Dimensions (mm)	326.50 x 253.50 x 9.8
Bezel Size(U/B/L/R)	12.700/12.700/11.200/11.200 mm
Weight (Net)	1.1kg
Operating Temperature	-20 °C ~ 70 °C
Storage Temperature	-20 °C ~ 70 °C

ULF= Panel + LED Driving Board

ULH= Panel + LED Driving Board + AD Control Board

Specifications are subject to change without notice.

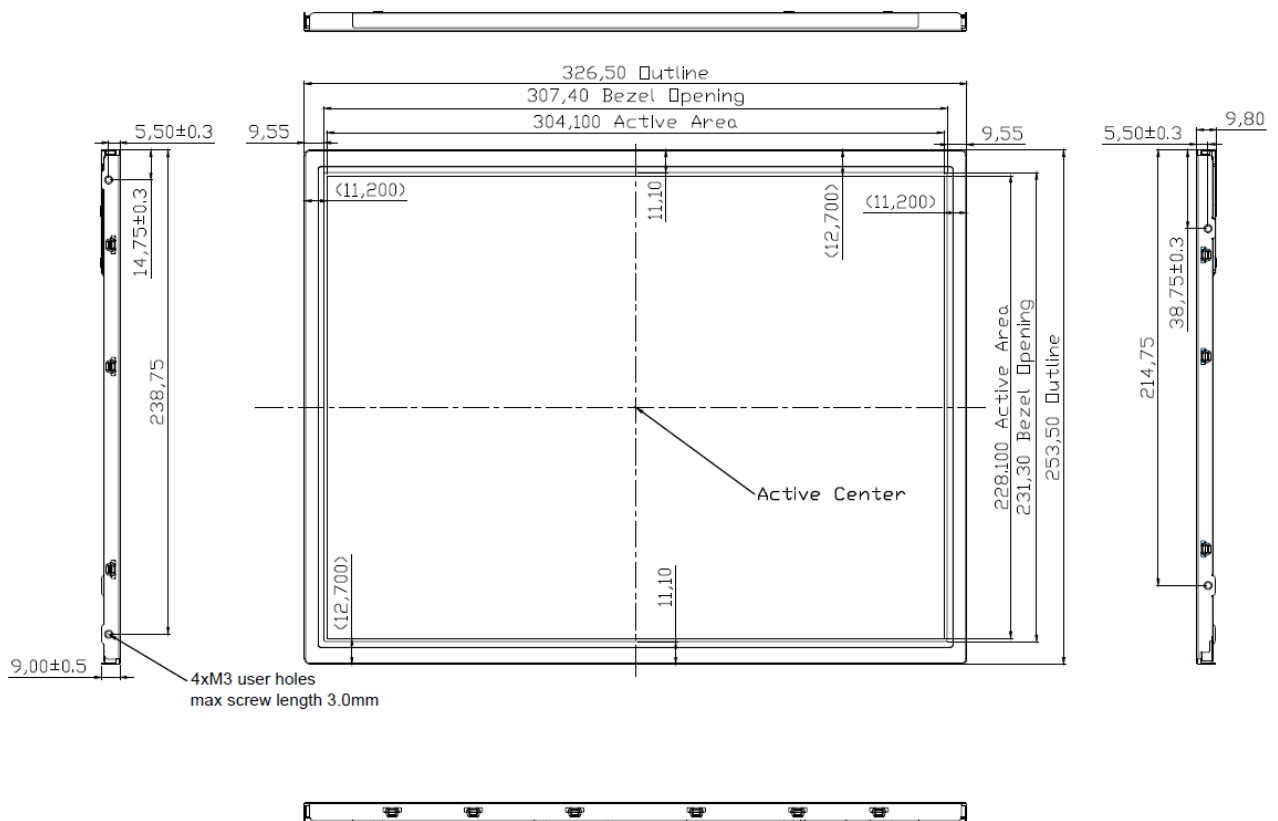
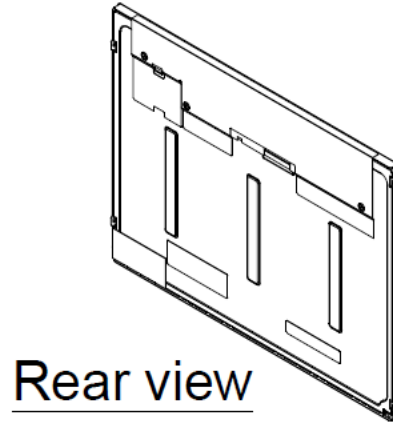
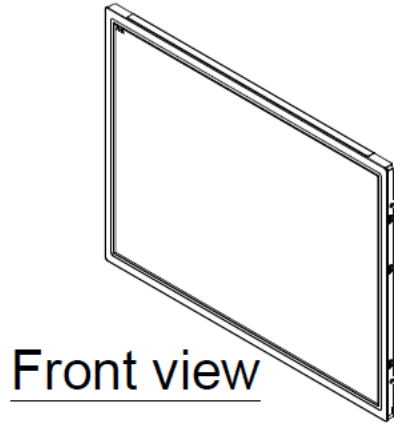
All brands or product names are trademarks or registered trademarks of their respective companies.

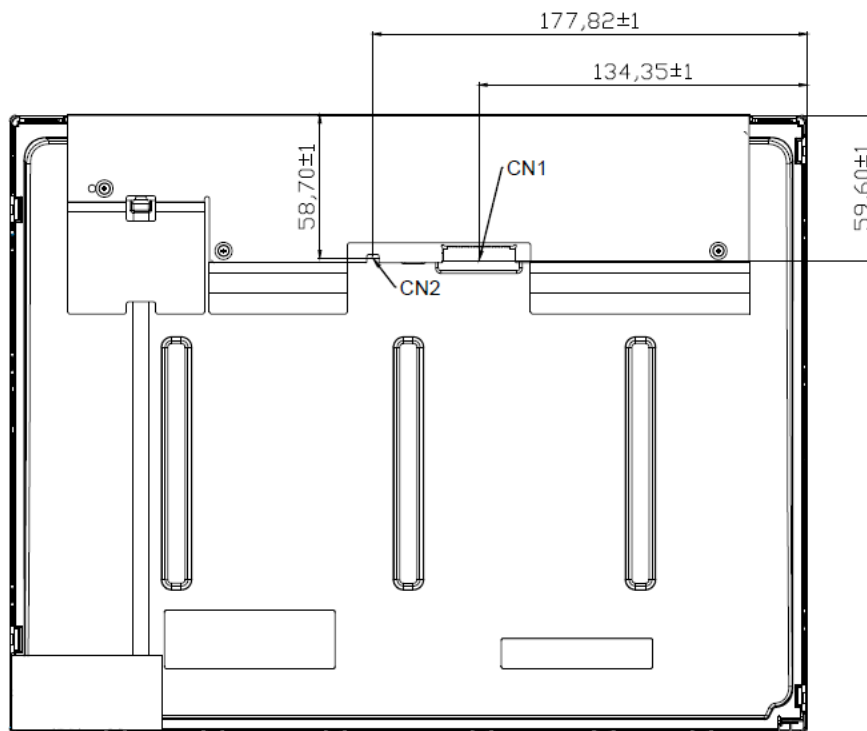


Mechanical Drawing

Outline Dimensions

Unit:mm





Note :

1.M3 USER HOLE SCREW TORQUE 4.0 kgf- cm MAX.

2.CONNCTOR TYPE:

CN1:CviLUX CID520D1HR0-NH

CN2:CviLUX CI4205M2HRP-NH

3."()"MARKS THE REFERENCE DIMENSION



Ordering Information

Part Number	Description
ULF1503-IXN-A11	15",500nits,1024x768,T2070,LID on LCM,10in1,V1
ULH1503-IXN-Q11	15",500nits,1024x768,T2070,LID on LCM,AD8891GDH,DC12V,10in1,V1

Optional Accessories

Part Number	Description
840612051212	ADAPTER,AC/DC,12V/5 A,60W,Power-Din-4P,CWT,G99-ABF060F-N022.Efficiency-level-6,R
810618301010	CABLE,POWER,AC,1830mm USA type
810618301090	CABLE,POWER,AC,1830mm Europe type
810618301050	CABLE,POWER.AC,1830mm UK type
810618301170	CABLE,POWER,AC,1830mm Australia type
810618301031	CABLE,POWER,AC,1830mm Japan type

Customer request

Touch	SCT (Single-Touch), PCT (Multi-Touch)
Glass	Tempered glass, AR coating.....