



## SSD2125-A

**21.28" Resizing LCD, Brightness 1000 nits, LED backlight, 1920x316 ultra wide aspect ratio 16:2.6**

SSD2125-A is an innovative ultra-wide, LED backlight LCD display. It provides LCD panel with specific ratios for digital signage, public transportation, exhibition hall, department store, vending machine and industrial applications.

### Key Features

- Resizing LCD
- Ultra Wide Screen (16 : 2.6)
- LED Backlight
- Brightness 1000nits
- Low Power Consumption
- High Uniformity
- Wide Dimming
- Life Expectancy 100,000 hours



## Specifications

V1

<b>Model No.</b>	<b>SSD2125-A</b>
<b>Description</b>	21.28" Resizing LCD Module, 1000nits, LED backlight, 1920x316
<b>Display Area</b>	531.36x87.4 mm
<b>Brightness</b>	1000nits
<b>Resolution</b>	1920 x 316
<b>Aspect Ratio</b>	16 : 2.6
<b>Contrast Ratio</b>	1000:1
<b>Pixel Pitch (mm)</b>	0.276 x 0.276
<b>Pixel Pre Inch (PPI)</b>	91
<b>Viewing Angle</b>	170°(H), 160°(V)
<b>Color Saturation (NTSC)</b>	77%
<b>Display Colors</b>	16.7M
<b>Response Time (Typical)</b>	5 ms
<b>Operating Temperature</b>	0°C ~ 50°C
<b>Storage Temperature</b>	-20°C ~ 60°C
<b>Power Consumption</b>	20W
<b>Dimensions (mm)</b>	558.5x119.5x46.1mm
<b>Weight (Net)</b>	2.1Kg
<b>LED Driving Board</b>	on AD board
<b>Control Board (Optional)</b>	<input type="checkbox"/> AD6038GDP
<input type="checkbox"/> AD6038GDP	DVI-I + Displayport
<b>F / R Control Button</b>	<input type="checkbox"/> 4 Key
<input type="checkbox"/> 4 Key	Power Switch, Menu, Select (+,-),
<b>OSD Menu</b>	Brightness, Contrast, H/V Position, Color, Phase, Clock...
<b>Optional</b>	<input type="checkbox"/> AOT <input type="checkbox"/> Touch Screen

*Specifications are subject to change without notice.*

*All brands or product names are trademarks or registered trademarks of their respective companies.*

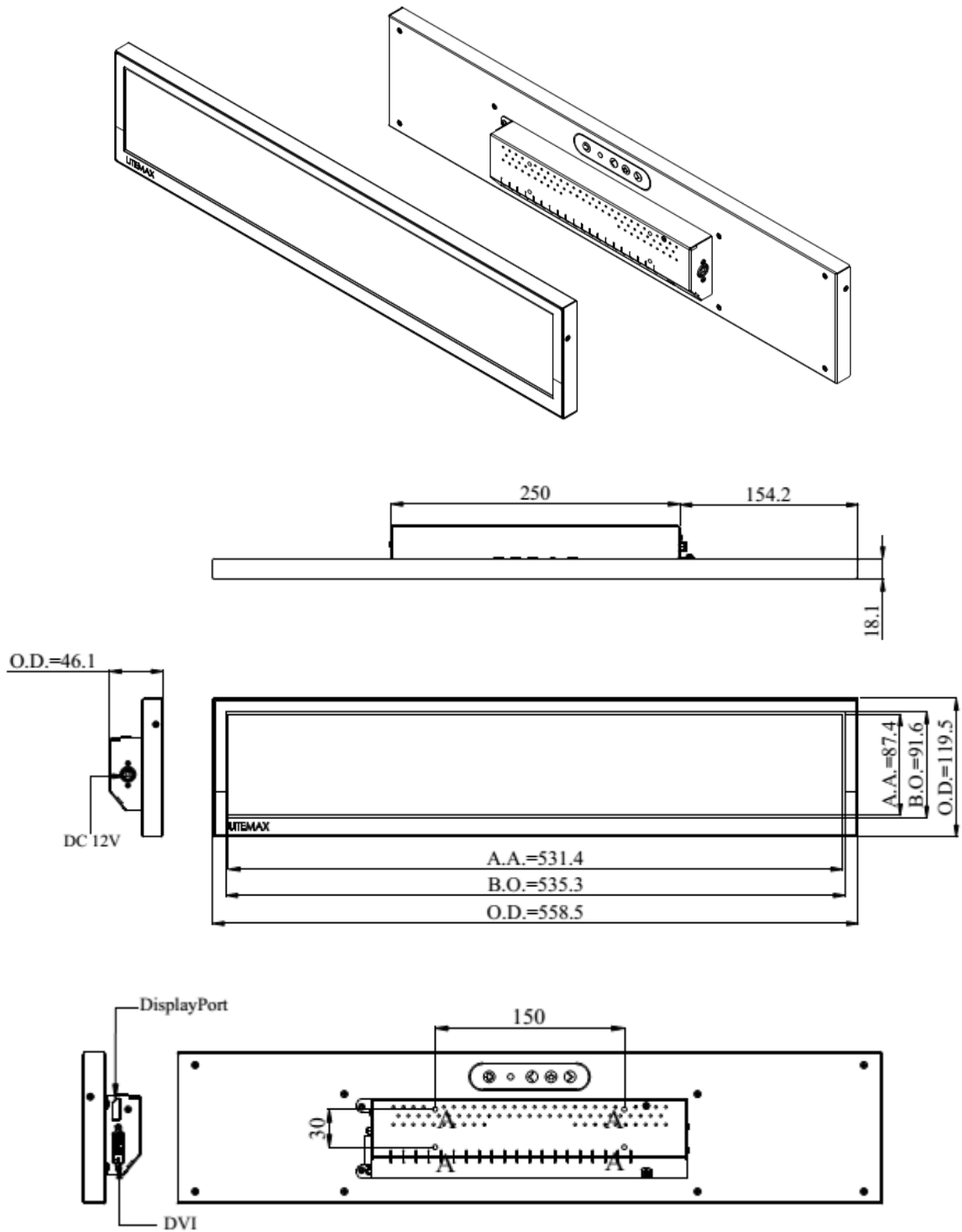
**SSD= Panel+ LED Driving Board + Control Board**



## Mechanical Drawing

### Outline Dimensions

Unit: mm



NOTE :  
 O.D. : OUTLINE DIMENSION  
 B.O. : BEZEL OPENING  
 A.A. : LCD ACTIVE AREA

A : 4-M4\_USER HOLE\_MAX. DEPTH=5 mm



### Ordering Information

Part Number	Description
SSD2125-ANB-I01	21.28",1000nits,1920*316,AD6038GDP+LID,O/B,DC12V,3in1,V1

### Optional Accessories

Part Number	Description
840612051210	ADAPTER,AC/DC,12V/5.4A,65W,Atech OEM A065112-TDx.4P SLIDING CAP,P
810618301010	CABLE.POWER.AC.1830mm USA type
810618301090	CABLE,POWER,AC,1830mm Europe type
810618301050	CABLE.POWER.AC.1830mm UK type
810618301170	CABLE.POWER,AC,1830mm Australia type
810618301031	CABLE.POWER.AC.1830mm Japan type