

DATASHEET

 **DISTEC**

A FORTEC GROUP MEMBER

POS-LINE
industrial monitors

 **DISTEC**
A FORTEC GROUP MEMBER

POS-LINE 17

SIMPLY INTEGRATE
VISUALISE YOUR CONTENT

Panel and housing

POS-Line 17"

Panel Diagonal	[mm] / [Inch]	432/ 17
Type		Open -frame monitor with 2 mounting brackets (various bezels, true-flat glass and touch solutions are available under options)
Resolution	[Pixel)	1280 x 1024
Luminance (center)	[cd/m ²]	350
Viewing angle	[°]	160 h / 140 v
Backlight		LED
Active area (H/V)	[mm]	337.92 x 270.34
Number of colors	[M]	16.7
Contrast ratio		800:1
Response time (on/off)	[ms]	30
Pixel class		ISO 9241-307 (pixel error class II)
Life time back light until reaching half brightness	[h]	50.000
Continuous operation	[hh/d]	24/ 7
Mounting	[mm]	VESA 200 x 100
Storage temperature	[°C] / [°F]	-30 ~ 85 / -22 ~ 185
Storage humidity	[%]	8 ~ 90 (non condensing)
Operating humidity	[%]	8 ~ 90 (non condensing)
Panel orientation		Landscape and Portrait
Location of connectors		Landscape: bottom Portrait: left (front view)
Location of OSD buttons		Landscape: top Portrait: right (front view)
Housing		Powdered Aluminium, black RAL 9005
IP grade		IP 65 on the front if option TrueFlat glass
Conformity		CE, FCC Class A, EU-RoHS
Packaging		single packaging, up to 4 via parcel service, from 5 units on pallet
Package contents		Safety instructions



Open frame monitor including two standard brackets and all possible optional mounting brackets



All figures are typical values. The real values of the panel may vary. The optical characteristics are determined after the panel has been „ON“ for approximately 30 minutes at an ambient temperature of 25° C (77° F).

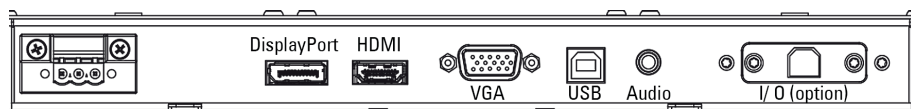
Life time of the backlight is defined as the time to take until the brightness reduces to 50% of its original value.

Copyright 2021 Distec GmbH. Information in the document is subject to change without prior notice.

VGA, HDMI, DisplayPort

POS-Line 17" Video PME

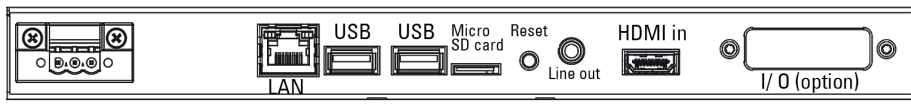
Order number		DS-91-771
Interfaces		1 x VGA, 1 x HDMI, 1 x DisplayPort, 1 x Audio Line-Out, 1 x USB-Remote
Operating temperature	[°C/ F°]	-20 ~ 65/ -4 ~ 149
Power supply	[V]	12
Power consumption (typ.)	[Watt]	16
Weight	[kg/ lb]	2.6/ 5.73
Dimensions (W x H x D)	[mm/ inch]	365 x 308 x 58.8 14.37 x 12.13 x 2.13
Package contents		SVGA cable



Network Mediaplayer

POS-Line 17" VideoPoster

Order number		DS-91-772
Interfaces		1 x LAN, 2 x USB, 1 x HDMI in, 1 x Line out, 1 x microSD card slot
Operating temperature	[°C/ F°]	-25 ~ 50/ -13 ~ 122
Power supply	[V]	12
Power consumption (typ.)	[Watt]	19
Weight	[kg/ lb]	2.7/ 5.95
Dimensions (W x H x D)	[mm/ inch]	365 x 308 x 58.8 14.37 x 12.13 x 2.13
Package contents		USB stick 8GB

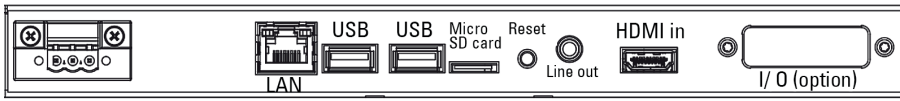


Raspberry® IoT controller



POS-Line 17" IoT

Order number		DS-91-818
Order number OS		DS-60-859
Interfaces		1 x LAN, 2 x USB, 1 x HDMI, 1 x Line out, 1 x microSD card slot
Operating temperature	[°C/ F°]	-25 ~ 50/ -13 ~ 122
Power supply	[V]	12
Power consumption (typ.)	[Watt]	19
Weight	[kg/ lb]	2.7/ 5.95
Dimensions (W x H x D)	[mm/ inch]	365 x 308 x 58.8 14.37 x 12.13 x 2.13



Glass*

Options

Order number		DS-90-195	DS-91-754
Name		Safety glass	TrueFlat glass
Glass		Safety glass TSG, 3 mm anti glare	Safety glass TSG, 3 mm anti glare, printed black passepartout
Can be combined with		Front bezel, Front plate	—
IP protection	front/ rear	IP 64 (in combination with bezel or plate)/ IP 20	IP 65/ IP 20
Weight	[kg/ lb]	0.80/ 1.76	1.20/ 2.65
Dimensions of monitor with option (W x H x D)	[mm/ inch]	365 x 308 x 58.8 14.37 x 12.13 x 2.13	405 x 343 x 64.8 15.94 x 13.50 x 2.55



Safety glass and touch are options for the open frame chassis. It covers and protects the TFT-panel.



TrueFlat glass is a safety glass with round corners and passepartout for the open frame chassis.

Touches*

Order number		DS-91-346
Name		Resistive touch
Glass		Safety glass TSG, 2.2 mm anti glare
Touch points		1
Touch technology		5-wire analogue resistive
Can be combined with		Front bezel, Front plate
IP protection	front/ rear	IP 64 (in combination with bezel or plate)/ IP 20
Available for controller		Video PME, IoT, IQ Atom
Weight	[kg/ lb]	0.50/ 1.10
Dimensions of monitor with option (W x H x D)	[mm/ inch]	365 x 308 x 58.8 14.37 x 12.13 x 2.13

Options

*Cover glass and touches will reduce monitor brightness.

Rackmount

Order number		DS-91-790
Name		Front plate rackmount
Finish		Aluminum, powdered, black RAL 9005
Can be combined with		Resistive touch, Safety glass
IP protection	front/ rear	IP64 (in combination with glass/ touch) otherw. IP20/ IP 20
Weight	[kg/ lb]	0.6/ 1.32
Dimensions of monitor with option (W x H x D)	[mm/ inch]	482.6 x 311.2 x 102.3 19.0 x 12.25 x 4.03



Bezel/ Plate

Order number		DS-91-758	DS-91-749
Name		Front bezel	Front plate
Finish		Steel, powdered, black RAL 9005	Aluminum, powdered, black RAL 9005
Can be combined with		Resistive touch, Safety glass	
IP protection	front/ rear	IP64 (in combination with glass/ touch) otherw. IP20/ IP20	
Weight	[kg/ lb]	0.50/ 1.10	
Dimensions of monitor with option (W x H x D)	[mm/ inch]	368 x 311 x 60.3 14.49 x 12.24 x 2.37	405 x 343 x 63.7 15.94 x 13.50 x 2.49



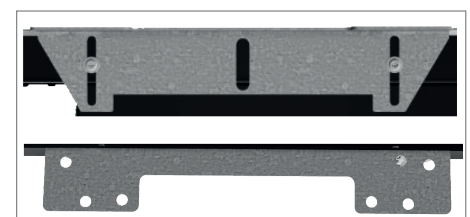
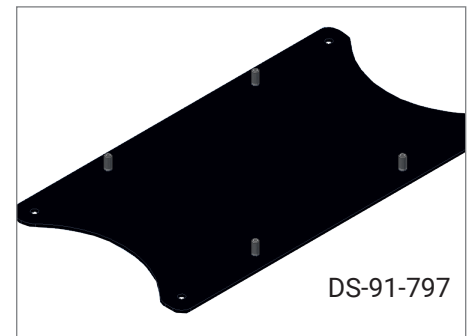
Front bezel is a metal bezel for the open frame chassis and VESA mount.

Mounting/ RS 232

Order number	DS-91-797	DS-91-356
Name	VESA adapter plate	Mounting brackets
Description	Adaption from VESA 200 x 100 to VESA 100 x 100	Set of two additional mounting brackets
Can be combined with	with all front options	Open frame, front plate, safety glass, TueFlat glass, PCAP touch, TrueFlat PCAP touch
Available for controller	all	

Order number	DS-91-823	
Name	2nd RS 232 port	
Can be combined with	with all front options	
Available for controller	Intel® Atom board	

Accessories



Power supply

Order number	NT-01-062	
Name	Power supply 60 W	
Description	12V/ 5A power supply max. op. temperature 45°C	
Can be combined with	Video PME, VideoPoster, IoT, IQ Atom	
Power cord EU 1,8 m	DB-07-225	
Power cord UK 1,8 m	DB-07-226	
Power cord USA 1,8 m	DB-07-238	

Operating systems, Software

Product	Order no.	Product description
WIN 10 IOT	DS-60-899	Embedded operation system 2019 LTSC
Windows 10 Pro. 64 bit DE	DS-60-811	Operation system
Windows 10 Pro. 64 bit EN	DS-60-810	Operation system
WEBPOSTER	DS-60-787	WEBPOSTER embedded Linux

Various accessories are available for POS-Line monitors.

All monitors can be customized according to your specific requirements.

Please contact our sales team if you are interested in product modifications or custom designs.



Contact

Our company network supports you worldwide with offices in Germany, Austria, Switzerland, Great Britain and the USA.

For more information please contact:

HEADQUARTER - GERMANY



FORTEC Elektronik AG

Augsburger Str. 2b
82110 Germering

Phone +49 89 894363-0
E-Mail sales@FORTECag.de
Internet www.FORTECag.de

Designed,
developed and
made in Germany

FORTEC GROUP MEMBERS

GERMANY



Distec GmbH

Augsburger Str. 2b
82110 Germering

Phone +49 369207162-0
E-Mail solution@distec.de
Internet www.distec.de

AUSTRIA



Distec GmbH

Office Vienna
Nuschinggasse 12
1230 Wien

Phone +43 1 8 67 34 92-0
E-Mail info@distec.de
Internet www.distec.de

SWITZERLAND



ALTRAC AG

Bahnhofstraße 3
5436 Würenlos

Phone +41 44 7 44 61 11
E-Mail info@altrac.ch
Internet www.altrac.ch

UNITED KINGDOM



Display Technology Ltd.

Osprey House, 1 Sprey Court
Hichingbrooke Business Park
Huntingdon, Cambridgeshire
PE29 6FN

Phone +44 14 80 41 16 00
E-Mail info@displaytechnology.co.uk
Internet www.displaytechnology.co.uk

USA



Apollo
Display Technologies, Corp.

87 Raynor Avenue,
Unit 1, Ronkonkoma
NY 11779

Phone +1 6 31 5 80 43 60
E-Mail info@apollodisplays.com
Internet www.apollodisplays.com